

**DAOMING MEDICAL**  
外固定支架产品 | 目录  
EXTERNAL FIXATION PRODUCTS | CATALOGUE

EXTERNAL FIXATION PRODUCTS CATALOGUE

张家港道明骨科医疗器械有限公司

地址：张家港杨舍镇东方新天地2幢B2501室

电话：+86-512-56711538

传真：+86-512-56711539

Zhangjiagang Doomi Orthopedic medical instrument co., LTD.

B2501, No 2, Oriental plaza ,Yangshe town,

Jiangsu ,China

TEL: +86-512-56711538

FAX: +86-512-56711539

张家港道明骨科医疗器械有限公司  
Zhangjiagang Doomi Orthopedic medical instrument co., LTD

# THE COMPANY INTRODUCTION

Zhangjiagang Doomi Orthopedic medical instrument co., LTD is one member of China Association for Medical Industry, Professional Committee of Surgical Implants. And it is the Integrity Initiative Unit of Jiangsu Food and Drug Administration. Meanwhile, it passed the certification of Quality system ISO9001:2008 and ISO 13485:2003, CE certification of European Union. Main products include: Multifunctional external fixator, surgery power system, internal fixation plate, screw, locking plate system, spine system and support instruments.

Quantity is the most important criteria. We provide high quality products by working with advanced manufacturing equipments and precision testing devices. The world famous manufacturing facilities are being used in our factory, DMG machining centers, such as 3/5 axis simultaneous machining centers from HAAS America, CITIZEN/STAR/MIYANO turning centers from Japan, laser-beam welding machines and so on. We also have the testing devices like electronic universal material testing machine, torsion testing machine, three coordinate measuring machine of bridge type, metal material analytical device, etc.

The company has senior excellent design team, mechanical engineer team and skilled technician team, providing orthopedics implants and instruments.

# 公司简介

张家港道明骨科医疗器械有限公司是中国医疗器械行业协会会员单位，中国医疗器械行业协会外科植入物专业委员会会员单位、江苏省食品药品监督管理局诚信倡议单位。公司先后通过了 ISO9001 : 2008 及 ISO 13485 : 2003 质量体系认证，欧盟 CE 认证、主要产品有多功能外固定支架、手术动力系统、内固定接骨钢板、接骨螺钉、锁定接骨板系统、脊柱固定系统等及其配套器械。

质量是企业的第一生命线，公司致力于使用先进生产设备、精密检测设备为顾客提供品质卓越的产品。现拥有西铁城车削中心、日本 STAR 车削中心、宫野车削中心、DMG 加工中心、美国哈斯 3 轴及 5 轴联动加工中心、激光焊接机等世界知名生产设备；配备了电子万能材料试验机、扭转试验机、桥式三维测量仪、金属材料分析仪等检测设备。

公司拥有一批资深优秀的设计队伍，机械工艺师队伍和一支精湛的技师队伍，开发出一系列适合人体骨骼特征的产品及配套手术器械。



# CONTENTS

## EXTERNAL FIXATION PRODUCTS

A. EXTRA-CALIBER EXTERNAL FIXATOR .....	A1-A10
B. DYNAMIC AXIAL FIXATOR .....	B1-B15
C. SMALL DYNAMIC AXIAL FIXATOR .....	C1-C6
D. FIXATOR FOR HTO(HIGH TIBIAL OSTEOTOMY) .....	D1-D6
E. PERTROCHANTERIC FIXATOR .....	E1-E4
F. HYBRID FIXATION SYSTEM AND RING FIXATOR .....	F1-F11
G. ADULT LIMB RECONSTRUCTION SYSTEM .....	G1-G3
H. PAEDIATRIC LIMB RECONSTRUCTION SYSTEM .....	H1-H5
I. PELVIC FIXATOR .....	I1-I7
J. ELBOW FIXATOR .....	J1-J8
K. DYNAMIC WRIST FIXATOR .....	K1-K8
L. RADIOLUCENT WRIST FIXATOR .....	L1-L2
M. MINI FIXATOR .....	M1-M6
N. MINIRAIL SYSTEM .....	N1-N4
O. BONE SCREWS .....	O1-O6
P. ST EXTERNAL FIXATION SYSTEM .....	P1-P18
Q. SN UNILATERAL FIXATION SYSTEM .....	Q1-Q6
R. AO EXTERNAL FIXATION SYSTEM .....	R1-R9
S. ILIZAROV RING FIXATOR SYSTEM .....	S1-S11
T. TITANIUM ORTHO - FIXATOR SYSTEM .....	T1-T4
U. SPATIAL FRAME EXTERNAL FIXATOR .....	U1-U6
V. NEW LENGTHENING FIXATOR SYSTEM-I&II .....	V1-V6
W. NEW DISTAL RADIUS FIXATOR SYSTEM .....	W1-W2
X. BT DISTAL RADIUS FIXATOR .....	X1-X2
Y. FIXING VERTEBRAL AND SPINAL SYSTEM .....	Y1-Y2

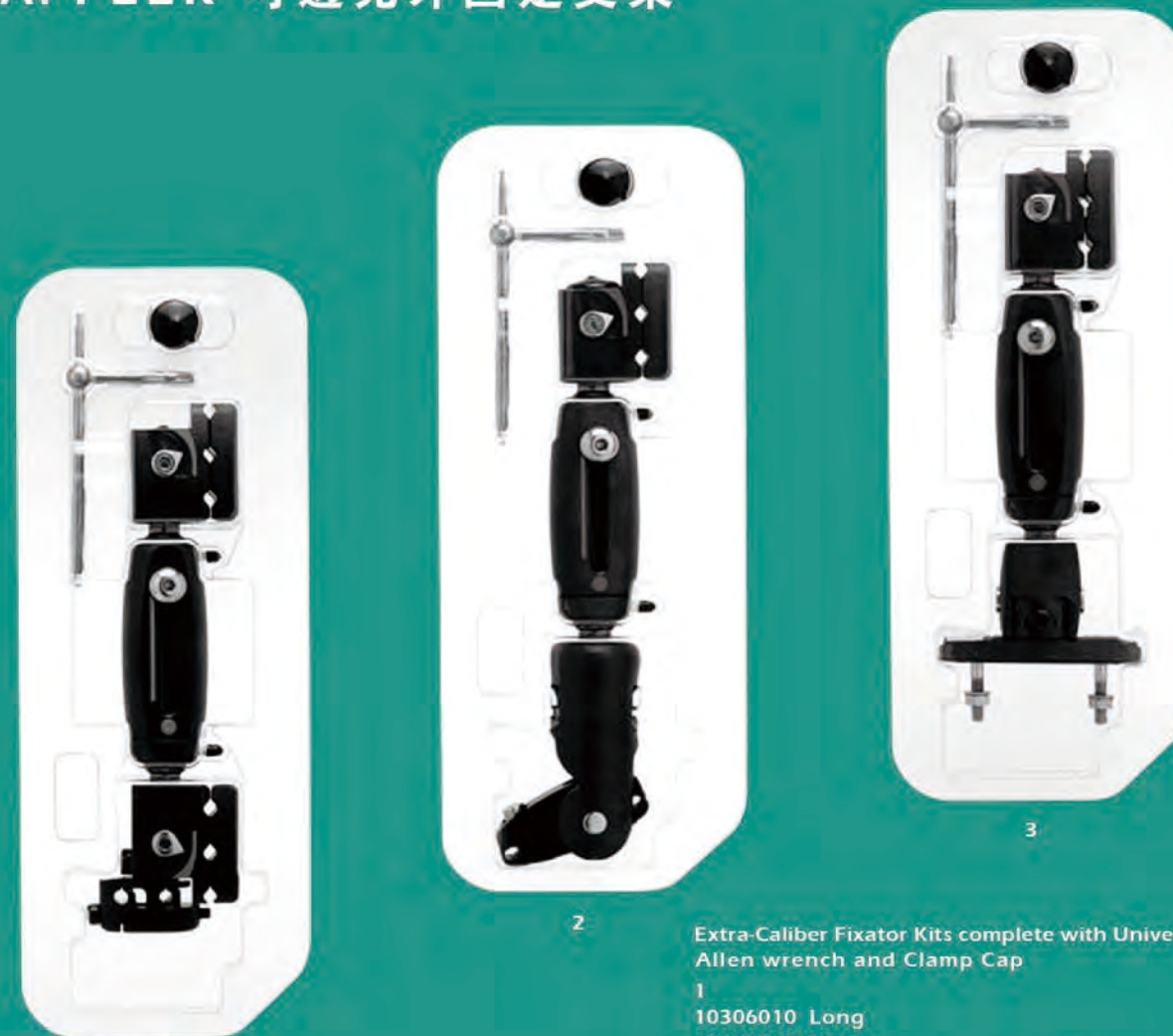
# 目录

## 外固定支架产品

A. PEEK 可透光外固定支架 .....	A1-A10
B. 动力调节支架 .....	B1-B15
C. 小型动力支架(三节式) .....	C1-C6
D. 高位胫骨截骨支架 .....	D1-D6
E. 股骨粗隆支架 .....	E1-E4
F. 组合支架系统和环形支架 .....	F1-F11
G. 肢体重建系统(成人) .....	G1-G3
H. 肢体重建系统(儿童) .....	H1-H5
I. 骨盆支架 .....	I1-I7
J. 肘关节支架 .....	J1-J8
K. 动力腕关节支架 .....	K1-K8
L. 可透光腕关节支架 .....	L1-L2
M. 迷你型支架 .....	M1-M6
N. 迷你导轨系统 .....	N1-N4
O. 骨牵引针 .....	O1-O6
P. ST 外固支架系统 .....	P1-P18
Q. SN 单边外固支架系统 .....	Q1-Q6
R. AO 外固支架系统 .....	R1-R9
S. 环形外固支架系统 .....	S1-S11
T. 钛合金支架系统 .....	T1-T4
U. 框架外固支架系统 .....	U1-U6
V. 新型延长支架系统 .....	V1-V6
W. 新型桡骨远端支架系统 .....	W1-W2
X. BT 桡骨远端支架系统 .....	X1-X2
Y. 骨牵引系统 .....	Y1-Y2

## A. EXTRA-CALIBER EXTERNAL FIXATOR

### A. PEEK 可透光外固定支架



1

Extra-Caliber Fixator Kits complete with Universal Allen wrench and Clamp Cap

1

10306010 Long

10306011 Short

Radiolucent Tibia Kit with Dynamic Compression-Distractor Unit (a), sterile

2

10306030 Long

10306031 Short

Radiolucent Ankle Kit with Dynamic Compression-Distractor Unit (a), sterile

3

10306020 Long

10306021 Short

Hybrid Kit, sterile

(To be used with rings, see section "E. Hybrid Fixation System and Ring Fixator").



a

PEEK可透光外固定支架与六角扳手和夹块帽组成完整的一套

1

10306010 长型, PEEK可透光胫骨支架(调节装置) 无菌

10306011 短型, PEEK可透光胫骨支架(调节装置) 无菌

2

10306030 长型, PEEK可透光踝关节支架(调节装置) 无菌

10306031 短型, PEEK可透光踝关节支架(调节装置) 无菌

3

10306020 长型, PEEK环形组合式支架(调节装置) 无菌

10306021 短型, PEEK环形组合式支架(调节装置) 无菌

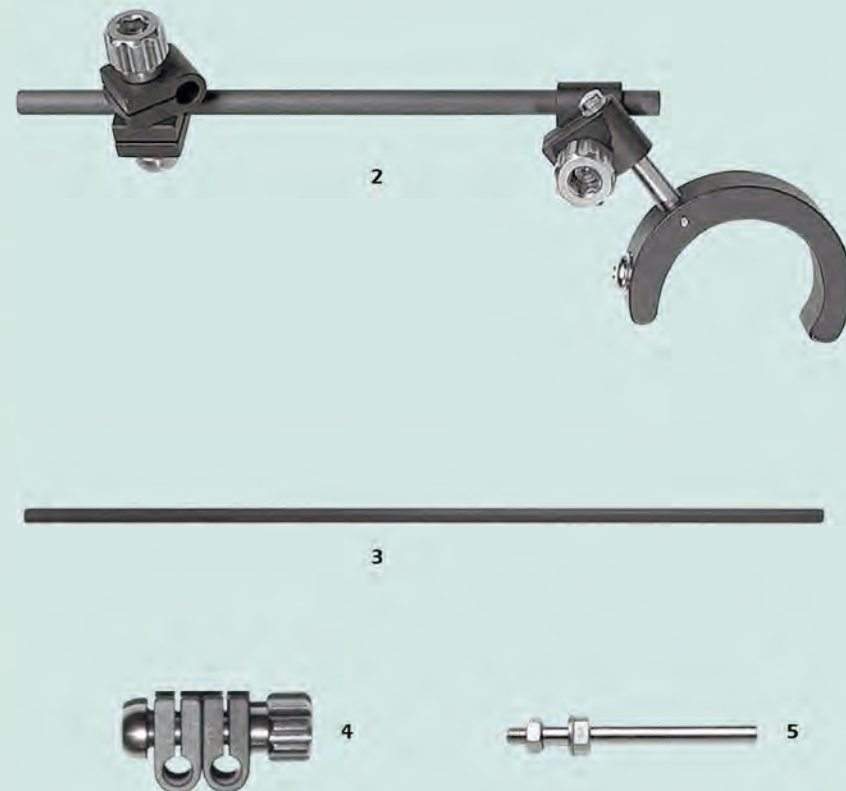
(和环形支架一起使用, 见“F.混合支架系统和圆环组合使用”。)

## 1. COMPONENTS

- 1  
10010010 Supplementary Screw Holder(Bar and Clamps), sterile
- 2  
10010011 Supplementary Screw Holder(Bar, Clamps and Fixator Body Attachment)
- 3  
Supplementary Screw Holder Bar  
RadioLucent  
10010012 Length 150 mm  
10010013 Length 300 mm
- 4  
10010014 Supplementary Screw Holder Clamp
- 5  
Posts  
10010015 Length 50 mm  
10010016 Length 100 mm  
10010017 Length 150 mm

## 1. 组件

- 1  
10010010 辅助螺钉固定装置  
(杆和夹块), 无菌
- 2  
10010011 辅助螺钉固定装置(杆, 夹块  
和支架体连接装置)
- 3  
可透光连接杆  
10010012 长度 150mm  
10010013 长度 300mm
- 4  
10010014 辅助螺钉夹块
- 5  
螺栓  
10010015 长度 50mm  
10010016 长度 100mm  
10010017 长度 150mm



## 2. TEMPLATE AND INSTRUMENTATION

- 1  
10010001 RadioLucent Ankle Pin Guide, sterile  
To provide visualization of rotational axis of the tibio-talar joint and correct screw positioning.
- 2  
Screw Guides  
10011045 Length 45 mm  
10011060 Length 60 mm  
10011080 Length 80 mm  
10011100 Length 100 mm  
10011160 Length 160 mm  
Screw Guide length depends on soft tissue dimensions.
- 3  
Ruland Pilot wire Guides  
Ø 2.0 mm  
10012075 Length 75 mm  
10012115 Length 115 mm  
For insertion of X-Wires.
- 4  
Drill Guides  
Ø 3.2 mm  
10013020 Length 20 mm  
10013040 Length 40 mm  
10013080 Length 80 mm  
Ø 4.8 mm  
10014040 Length 40 mm  
10014060 Length 60 mm  
10014080 Length 80 mm  
10014140 Length 140 mm  
Drill Guide size depends on Drill Bit diameter and Screw Guide length.

## 2. 模板和器械

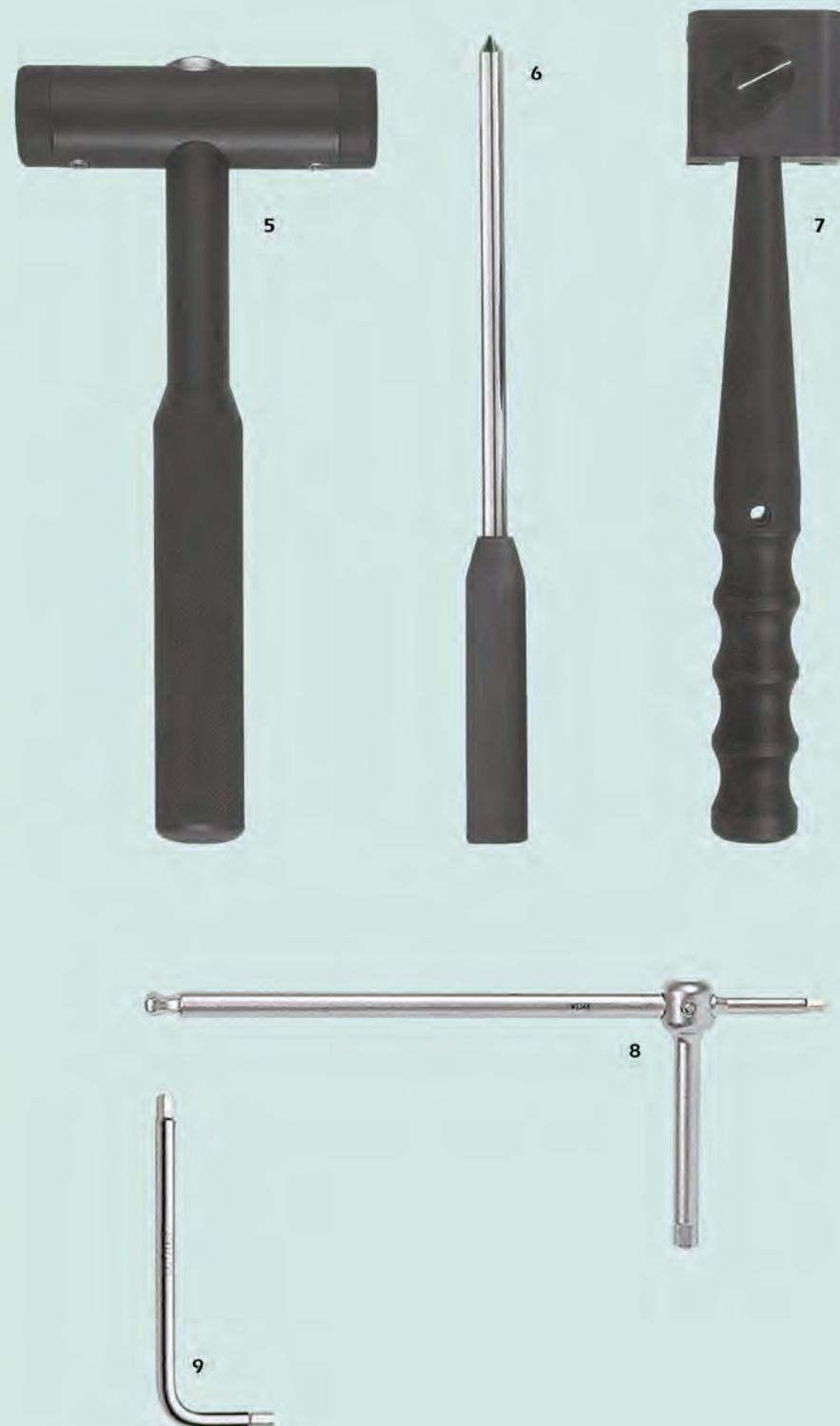
- 1  
10010001 可透视踝关节螺钉导向器, 无菌  
使得胫骨距骨关节转动轴可视化, 进而调整螺钉位置
- 2  
螺钉导向器  
10011045 长度 45mm  
10011060 长度 60mm  
10011080 长度 80mm  
10011100 长度 100mm  
10011160 长度 160mm  
螺钉导向器的长度取决于软组织的尺寸
- 3  
导针导向器, Ø2.0mm  
10012075 长度 75mm  
11120115 长度 115mm  
用于植入克氏针
- 4  
钻头导向器, Ø3.2mm  
10013020 长度 20mm  
10013040 长度 40mm  
10013080 长度 80mm  
Ø4.8mm  
10014040 长度 40mm  
10014060 长度 60mm  
10014080 长度 80mm  
10014140 长度 140mm  
钻头导向器的尺寸取决于钻头直径和螺钉导向器的长度

## INSTRUMENTATION

- 5  
**10015001** Hammer  
**10015002** Hammer Interchangeable Head  
**10015003** Hammer Locking Nut  
 6  
**10016001** Tapered Trocar  
 Used within a screw guide to locate an appropriate position on the cortex.  
 7  
**10017001** Extra-caliber Manipulation Forceps (1 pair)  
 8  
**10018001** Universal Allen wrench  
 9  
**10019001** Allen wrench 3mm

## 器械

- 5  
**10015001** 锤子  
**10015002** 锤子可替换头部  
**10015003** 锤子锁定螺母  
 6  
**10016001** 锥形套管针  
 在螺钉导向器内，用于在皮层上确定一个合适的位置  
 7  
**10017001** 高性能复位钳  
 8  
**10018001** 通用六角扳手  
 9  
**10019001** Ø3mm六角扳手



## INSTRUMENTATION

- 10  
**Drill Bit Stop Units**  
**10020001** Ø3.2 mm  
**10020002** Ø4.8 mm  
 11  
**Drill Bits Ø 3.2 mm**  
**10021001** Length 140 mm  
**10021002** Length 200 mm  
 For Ø 6-5mm cancellous screws and Ø 4.5-3.5mm cortical screws.  
**10021001, 10021002, Drill Bit Kits Ø 3.2 mm**  
 Consisting of: 1 Allen wrench 3mm, 1 Drill Bit Stop Unit Ø3.2mm and 1 Drill Bit (140mm in kit 10021001 and 200mm in kit 10021002).  
**Ø 4.8 mm**  
**10021003** Length 180 mm  
**10021004** Length 240 mm  
**10021005** Length 280 mm  
 For Ø 6-Ø5mm cortical screws.  
**10021003, 10021004, 10021005, Drill Bit Kits Ø 4.8 mm**  
 Consisting of: 1 Allen wrench 3mm, 1 Drill Bit Stop Unit Ø4.8mm and 1 Drill Bit (180mm in kit 10021003; 240mm in kit 10021004 and 280mm in kit 10021005).

## 器械

- 10  
**钻头调节装置**  
**10020001** Ø3.2mm  
**10020002** Ø4.8mm  
 11  
**钻头, Ø3.2mm**  
**10021001** 长度 140mm  
**10021002** 长度 200mm  
 用于Ø5-Ø6mm的松质钉和Ø3.5-Ø4.5mm的皮质钉  
**10021001, 10021002, Ø3.2mm 钻头组件**  
 组成: 1个Ø3.0mm的扳手, 1个Ø3.2mm的钻头调节装置和1个钻头 (10021001 长度140mm, 10021002 长度 200mm)  
**Ø4.8mm**  
**10021003** 长度 180mm  
**10021004** 长度 240mm  
**10021005** 长度 280mm  
 用于Ø5-Ø6mm的皮质钉  
**10021003, 10021004, 10021005, Ø4.8mm 钻头组件**  
 组成: 1个Ø3.0mm的扳手, 1个Ø4.8mm的钻头调节装置和1个钻头 (10021003 长度180mm, 10021004 长度240mm, 10021005 长度280mm)

## INSTRUMENTATION

12

**Cannulated Bits  $\varnothing$  3.2 mm**

**10022001** Length 150 mm

**10022002** Length 300 mm

With 1.8mm cannulation.

**10022001, 10022001, Cannulated Drill Bit Kits  $\varnothing$  3.2 mm**

Consisting of: 1 Allen wrench 3mm, 1 Drill Bit Stop Unit  $\varnothing$ 3.2mm and 1 Cannulated Drill Bit (150mm in kit 11013; 300mm in kit 11011).

**$\varnothing$  4.8 mm**

**10023001** Length 150 mm

**10023002** Length 250 mm

**10023003** Length 280 mm

With 2.2mm cannulation.

**10023003 Cannulated Drill Bit Kit  $\varnothing$  4.8 mm**

Consisting of: 1 Allen wrench 3mm, 1 Drill Bit Stop Unit  $\varnothing$ 4.8mm and 1 Cannulated Drill Bit 280mm.

13

**X-wires without olive**

**10024001**  $\varnothing$ 1.5mm, Length 250 mm

(To be used with 3.2mm Cannulated Drill Bit).

**10024002**  $\varnothing$ 2.0mm, Length 150 mm

(To be used with 4.8mm Cannulated Drill Bit).

14

**10025001 T-wrench**

Used to insert or remove bone screws.

## 器械

12

**空心钻头  $\varnothing$ 3.2mm**

**10022001** 长度 150mm

**10022002** 长度 300mm

内径 1.8mm

**10022001, 10022002 空心钻头组件,  $\varnothing$ 3.2mm**

组成: 1个 $\varnothing$ 3.0mm的扳手, 1个 $\varnothing$ 3.2mm的钻头调节装置和1个空心钻头 (10022001 长150mm 10022002 长300mm)

**$\varnothing$ 4.8mm**

**10023001** 长度 150mm

**10023002** 长度 250mm

**10023003** 长度 280mm

内径 2.2mm

**10023003 空心钻头装置,  $\varnothing$ 4.8mm**

构成: 1个 $\varnothing$ 3.0mm的六角扳手, 1个 $\varnothing$ 4.8mm的钻头调节装置和1个280mm长的空心钻头

13

**不带橄榄球的克氏针**

**10024001**  $\varnothing$ 1.5mm, 长度 250mm

和 $\varnothing$ 3.2mm的空心钻头一起使用

**10024002**  $\varnothing$ 2.0mm, 长度 150mm

和 $\varnothing$ 4.8mm的空心钻头一起使用

14

**10025001 T型扳手**

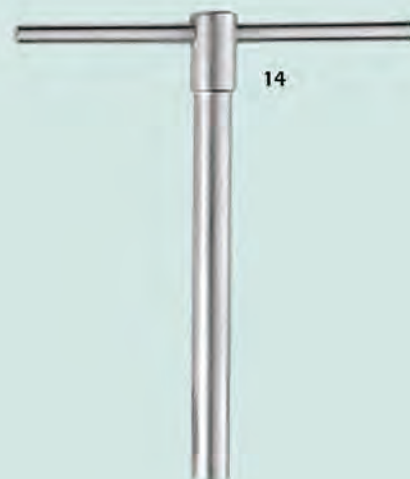
用来植入可取出接骨螺钉



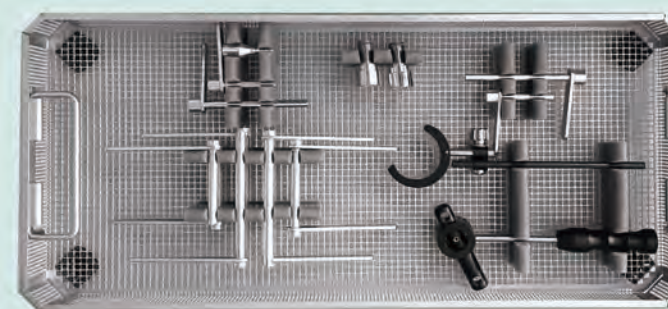
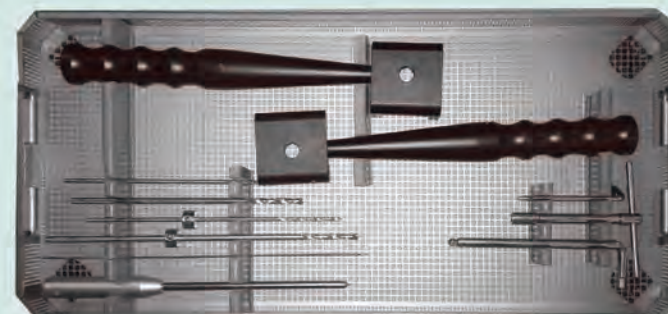
12



13



14



1

## 3. STERILIZATION BOXES

1

**30001 Extra-caliber Radiolucent Tibia/Ankle System**

Can accommodate:

1x10019003 Allen Wrench 6mm

1x10021002 Drill Bit, 200mm  $\varnothing$ 3.2mm

1x10021003 Drill Bit, 180mm  $\varnothing$ 4.8mm

1x10021004 Drill Bit, 240mm  $\varnothing$ 4.8mm

1x10022001 Cannulated Drill Bit,

150mm,  $\varnothing$ 3.2mm

1x10013040 Drill Guide, 40mm  $\varnothing$ 3.2mm

1x10013080 Drill Guide, 80mm  $\varnothing$ 3.2mm

1x10014040 Drill Guide, 40mm  $\varnothing$ 4.8mm

1x10014080 Drill Guide, 80mm  $\varnothing$ 4.8mm

4x10011060 Screw Guide, 60mm

4x10011100 Screw Guide, 100mm

2x10019001 Allen Wrench 3mm

1x10025001 T-Wrench

1x10016001 Tapered Trocar

1x10017001 RadioLucent Manipulation

Forceps (1 pair)

1x10010011 Supplementary Screw Holder

1x10010000 Ankle Pin Guide

2x10024001 Kirschner Wire (XWire)

250mm,  $\varnothing$ 1.5mm

1x10026001 Screw Connector

1x10020002 Drill Bit Kit, Stop Unit

$\varnothing$ 4.8mm

1x10020001 Drill Bit Kit, Stop Unit

$\varnothing$ 3.2mm

## 3. 消毒盒

1

**30001 PEEK可透光胫骨/踝关节系统**

可包括:

1x 10019003  $\varnothing$ 6.0mm六角扳手

1x 10021002 钻头,  $\varnothing$ 3.2x200mm

1x 10021003 钻头,  $\varnothing$ 4.8x180mm

1x 10021004 钻头,  $\varnothing$ 4.8x240mm

1x 10022001 空心钻头,  $\varnothing$ 3.2x150mm

1x 10013040 钻头导向,  $\varnothing$ 3.2x40mm

1x 10013080 钻头导向,  $\varnothing$ 3.2x80mm

1x 10014040 钻头导向,  $\varnothing$ 4.8x40mm

1x 10014080 钻头导向,  $\varnothing$ 4.8x80mm

4x 10011060 螺钉导向器, 长60mm

4x 10011100 螺钉导向器, 长100mm

2x 10019001  $\varnothing$ 3.0mm六角扳手

1x 10025001 T型扳手

1x 10016001 锥形套管针

1x 10017001 可透视复位钳 (一对)

1x 10010011 辅助螺钉固定装置

1x 10010000 踝关节螺钉导向器

2x 10024001 克氏针,  $\varnothing$ 1.5x250mm

1x 10026001 螺钉连接器

1x 10020002  $\varnothing$ 4.8mm的钻头调节装置

1x 10020001  $\varnothing$ 3.2mm的钻头调节装置

## STERILIZATION BOXES

2

## 30002 Hybrid Instruments System

Can accommodate:

- 3x10011080 Screw Guide, 80mm
- 1x10014060 Drill Guide, 60mm  $\Phi$ 4.8mm
- 1x10021004 Drill Bit, 240mm  $\Phi$ 4.8mm
- 1x10019003 Allen Wrench 6mm
- 1x10016001 Tapered Trocar
- 1x10011002 Wire Tensioner
- 1x10011003 Wire Cutter
- 2x10010013 Reinforcement Bars 300mm
- 1x10011001 Wire Guide
- 2x10010015 Post, length 50mm
- 2x35300001 Two-Hole Kirschner Wire Securing Pin
- 4x35300008 Three Hole Sliding Unit
- 4x10024011 Kirschner Wire (XWire) with lateral olive 350mm  $\Phi$ 2mm
- 4x10024003 Kirschner Wire (XWire) without olive 400mm  $\Phi$ 2mm
- 2x10025010 Kirschner Wire (XWire) with central olive  $\Phi$ 2mm
- 2x10025020 Open End Wrench  $\Phi$ 10mm
- 2x35300002 Independent Wire Clamp
- 2x35300007 Single Screw Clamp
- 4x10010014 Supplementary Screw Holder Clamp
- 1x10019001 Allen Wrench 3 mm
- 1x10020002 Drill Bit Kit, Stop Unit  $\Phi$ 4.8mm
- 1x35300003 Hybrid Coupling with Ball-Joint

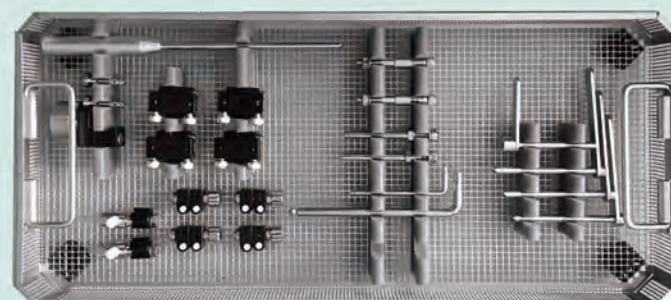
## 消毒盒

2

## 30002 组合器械包

可包括:

- 3 × 10011080 螺钉导向器,  $\Phi$ 4.8 × 80mm
- 1 × 10014060 钻头导向器,  $\Phi$ 4.8 × 60mm
- 1 × 10021004 钻头,  $\Phi$ 4.8 × 240mm
- 1 × 10019003  $\Phi$ 6.0mm六角扳手
- 1 × 10016001 锥形套管针
- 1 × 10011002 克氏针张紧器
- 1 × 10011003 剪线钳
- 2 × 10010013 300mm加固连接杆
- 1 × 10011001 克氏针导向器
- 2 × 10010015 螺栓, 长度50mm
- 2 × 35300001 2孔克氏针固定销
- 4 × 35300008 3孔滑块
- 4 × 10024011 尾部带橄榄球的克氏针  $\Phi$ 2.0 × 350mm
- 4 × 10024003 不带橄榄球的克氏针  $\Phi$ 2.0 × 400mm
- 2 × 10025010 中间带橄榄球的克氏针  $\Phi$ 2mm
- 2 × 10025020  $\Phi$ 10.0mm开口扳手
- 2 × 35300002 独立克氏针夹块
- 2 × 35300007 单螺钉夹块
- 4 × 10010014 辅助夹块
- 1 × 10019001  $\Phi$ 3.0mm六角扳手
- 1 × 10020002  $\Phi$ 4.8mm钻头组件
- 1 × 35300003 带球关节的组合连接夹块



2

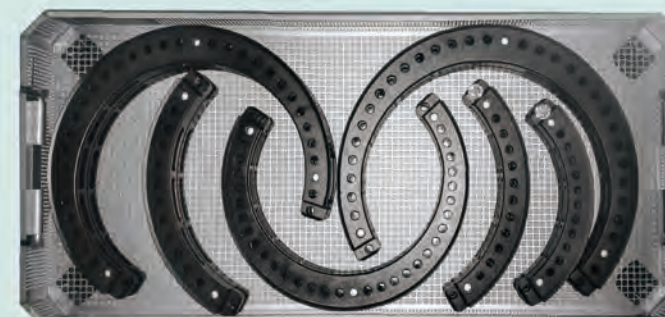
## STERILIZATION BOXES

3

## 30003 Extra-caliber Hybrid Rings System, Carbon Fiber

Can accommodate:

- 2x35300150 2/3 Radiolucent Ring  $\Phi$ 150mm
- 2x35400150 1/3 Radiolucent Ring  $\Phi$ 150mm
- 2x35300175 2/3 Radiolucent Ring  $\Phi$ 175mm
- 2x35400175 1/3 Radiolucent Ring  $\Phi$ 175mm
- 2x35300190 2/3 Radiolucent Ring  $\Phi$ 190mm
- 2x35400190 1/3 Radiolucent Ring  $\Phi$ 190mm
- 2x35100001 Ring Locking Screw



3

## 消毒盒

3

## 30003 碳纤维可透光组合环形系统

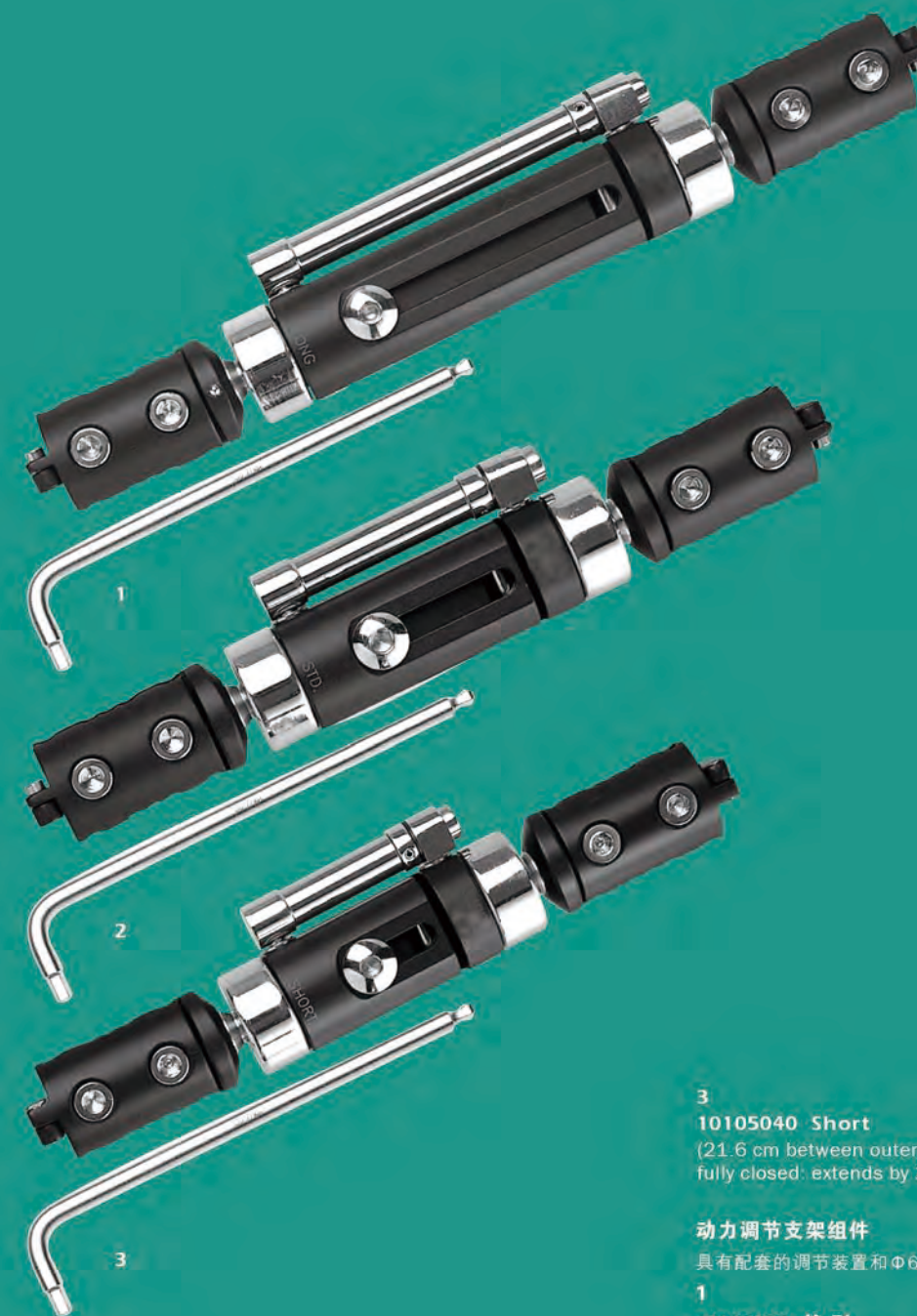
可包括:

- 2 × 35300150 可透光2/3环  $\Phi$ 150mm
- 2 × 35400150 可透光1/3环  $\Phi$ 150mm
- 2 × 35300175 可透光2/3环  $\Phi$ 175mm
- 2 × 35400175 可透光1/3环  $\Phi$ 175mm
- 2 × 35300190 可透光2/3环  $\Phi$ 190mm
- 2 × 35400190 可透光1/3环  $\Phi$ 190mm
- 2 × 35100001 圆环锁定螺钉



## B. DYNAMIC AXIAL FIXATOR

## B. 动力调节支架



**D.A.F. Fixator Kits**  
Complete with appropriate Compression-Distraction Unit and Allen Wrench 6 mm.

**1**  
**10106070 Long**  
(27.6 cm between outermost screws when fixator body fully closed: extends by 8 cm).

**2**  
**10106050 Standard**  
(23.6 cm between outermost screws when fixator body fully closed: extends by 4 cm).

**3**  
**10105040 Short**  
(21.6 cm between outermost screws when fixator body fully closed: extends by 2.75 cm).

**动力调节支架组件**  
具有配套的调节装置和Φ6mm六角扳手

**1**  
**10106070 长型**  
支架主体完全封闭时，最外端两个螺钉之间的距离为27.6cm  
可延伸8cm

**2**  
**10106050 标准型**  
支架主体完全封闭时，最外端两个螺钉之间的距离为23.6cm  
可延伸4cm

**3**  
**10105040 短型**  
支架主体完全封闭时，最外端两个螺钉之间的距离为21.6cm  
可延伸2.75cm

## 1. BALL-JOINTED MODULES

1

### 20010001 Straight Clamp

Allows the fixator to act as its own template and enables screws to be inserted in a plane parallel to the diaphyseal axis of the bone.

2

### 20010002 T-Clamp

Allows the fixator to act as its own template and enables screws to be inserted in a plane at right angles to the diaphyseal axis of the bone.

3

### 20010003 Ball-Jointed Module

#### For Independent Screw Placement

For iliac crest applications. Consisting of: 1 Bar with Ball-Joint and 2 Independent Screw Clamps. Enables screws to be placed freehand in chosen positions on the iliac crest. See section "I. Pelvic Fixator".

4

### 20010004 Elbow Extended Range Clamp

Acts as its own template for screw insertion in the ulna. It is used when a wider choice of angle for screw placement is necessary. See section "J. Elbow Fixator".

5

### 20010005 RadioLucent Ankle Clamp

(For left and right application). This module should be applied with its appropriate Radio Lucent Ankle Pin Guide. Radio Lucent Ankle Clamp and Radio Lucent Ankle Pin Guide are also available as a sterile kit.

6

### 20010006 Hybrid Coupling with Ball-Joint

For fixator bodies 10106050, 10106070 and 10105040. To be used with the Hybrid Fixation System.

## 1. 球关节组件

1

### 20010001 直型夹块

让支架起到模板的作用，使螺钉可以在平行于骨干轴的平面上植入

2

### 20010002 T型夹块

让支架起到模板的作用，使螺钉可以在与骨干轴成直角的平面上植入

3

### 20010003 用于放置单个螺钉球关节组件

应用于髌骨，包括：一根带球关节的棒和两个独立的螺钉夹块，可以徒手将螺钉放置于髌骨上已经选好的位置，见“L. 盆骨支架”部分

4

### 20010004 肘关节延伸夹块

当放置螺钉需要选择一个更大的角度时，它可以作为模板使螺钉植入尺骨，见“J. 肘关节支架”部分

5

### 20010005 可透视踝关节夹块

(左右均适用) 该组件应配有相应的可透光踝关节螺钉导向器。可透光踝关节夹块和螺钉导向器也可无菌包装

6

### 20010006 带球关节的组合连接夹块

用于10106050, 10106070, 10105040, 和组合支架系统一起使用



1



2



3



4



5



6



7



8



9



10



11

## BALL-JOINTED MODULES

7

### 20010007 Metaphyseal Clamp

Consists of a horizontal and a vertical component, for screw placement in both epiphyseal and meta-diaphyseal regions of the bone.

8

### 20010008 Torbay-Garches Clamp

For convergent screw placement in a plane at right angles to the diaphyseal axis of the bone, in cases where space is limited.

9

### 20010009 Trauma-Garches Clamp

For convergent screw placement in a plane at right angles to the diaphyseal axis of the bone, in cases where space is limited.

10

### 20010010 Angled Clamp

Allows screws to be inserted along the femoral neck at an angle of 125° to the longitudinal axis of the bone. Use special screw guide 10011160, drill guide 10014140 and drill bit kit 10021005.

11

### 20010011 Double-Coupling Clamp

For joining two D.A.F. or ProCallus units in series. Normally used for central dislocation of the hip.

Note: Modules 1 to 7 above should be applied using the appropriate template, see page 24.

## 球关节组件

7

### 20010007 骨干夹块

包括水平和垂直的部分，用于螺钉植入股骨干

8

### 20010008 T-Garches 夹块

在空间有限的情况下，将螺钉按恰当的角度集中在一个平面上，从而植入骨干轴

9

### 20010009 外伤Garches夹块

在空间有限的情况下，将螺钉按恰当的角度集中在一个平面上，从而植入骨干轴

10

### 20010010 可变角度夹块

使螺钉沿着股骨颈以相对纵轴125°角植入，使用特定螺钉导向器(10011160)，钻头导向器(10014140)和钻头(10021005)

11

### 20010011 双连接夹块

一般用于骨盆中的骨折

注意：1-7需要用合适的模块

## 2. STERILE RADIOLUCENT ANKLE KIT

- 1  
10010001  
RadioLucent Ankle Pin Guide, sterile.
- 2  
20010005  
RadioLucent Ankle Clamp, sterile.

## 2. 可透光踝关节组件

- 1  
10010001 无菌可透光踝关节螺钉导向器
- 2  
20010005 无菌可透光踝关节夹块



1



2



1



2



3

## 3. NON BALL-JOINTED MODULES

- 1  
10010011 Supplementary Screw Holder  
(Bar, Clamps and Fixator Body Attachment)
- 2  
10010014 Supplementary Screw Holder Clamp
- 3  
10206080 ProCallus Self-aligning Articulated Body Assembly Kit

## 3. 非球关节组件

- 1  
10010011 辅助持钉装置  
(棒、夹块和支架体连接器)
- 2  
10010014 辅助夹针块
- 3  
10206080 自动校准支架连接体

#### 4. COMPONENTS/ REPLACEMENTS

**1**  
**D.A.F. Central Bodies**  
Complete with 2 Cams, 2 Bushes, 1 D.A.F. Micromovement Locking Nut and 1 D.A.F. Central Body Locking Nut.  
20010020 Standard  
20010030 Long  
20010040 Short

**2**  
**D.A.F. Central Body Male Components**  
90018-02 Standard  
90020-02 Long  
90031-02 Short

**3**  
**D.A.F. Central Body Female Components**  
90019-02 Standard  
90021-02 Long  
90032-02 Short

**4**  
20010021 D.A.F. Micromovement Locking Nut

**5**  
20010022 D.A.F. Central Body Locking Nut

**6**  
20010023 Bush

**7**  
20010024 Cam

#### 4. 组件/替换件

**1**  
**D.A.F.中间体**  
由两个偏心轴，两个钢碗，1个D.A.F.微调锁定螺母和一个D.A.F.中间体锁定螺母组成完整的一套

20010020 标准型  
20010030 长型  
20010040 短型

**2**  
**D.A.F.中间体凸出部件**  
90018-02 标准型  
90020-02 长型  
90031-02 短型

**3**  
**D.A.F.中间体凹陷部件**  
90019-02 标准型  
90021-02 长型  
90032-02 短型

**4**  
20010021 D.A.F.微调锁定螺母

**5**  
20010022 D.A.F.中间体锁定螺母

**6**  
20010023 钢碗

**7**  
20010024 偏心轴



1



2



3



4



5



6



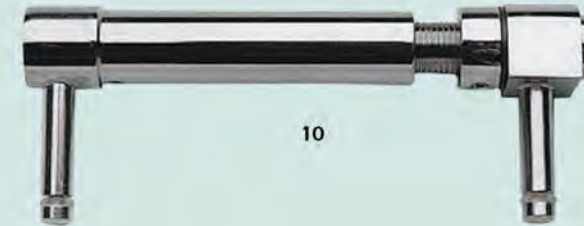
7



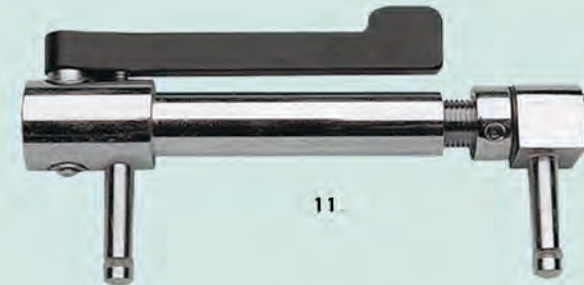
8



9



10



11

#### COMPONENTS/ REPLACEMENTS

**8**  
20010025 Clamp Screw

**9**  
20010026 RadioLucent Ankle Clamp Articulation Locking Nut

**10**  
**Compression-Distraction Units**  
20010050 Standard  
Extends to 4 cm  
20010060 Long  
Extends to 8 cm  
20010070 Short  
Extends to 2.75 cm

**11**  
**Actuators**  
For early applied cyclic micromovement before patient can weightbear.  
20020010 Standard  
Extends to 4 cm  
20020020 Long  
Extends to 8 cm  
20020030 Short  
Extends to 2.75 cm

#### 组件/替换件

**8**  
20010025 夹块螺钉

**9**  
20010026 可透光踝关节夹块锁定螺母

**10**  
**调节装置**  
20010050 标准型，可延伸 4cm  
20010060 长型，可延伸 8cm  
20010070 短型，可延伸 2.75cm

**11**  
**微调装置**  
用于病人能够承受重量的早期。  
20020010 标准型，可延伸 4cm  
20020020 长型，可延伸 8cm  
20020030 短型，可延伸 2.75cm

## 5. TEMPLATES

**1**  
**10010000 RadioLucent Ankle Pin Guide**  
To provide visualization of rotational axis of the tibio-talar joint and correct screw positioning.

**2**  
**10010001 RadioLucent Ankle Pin Guide, sterile**

## 5. 模板

**1**  
**10010000 可透光踝关节针导向器**  
使得胫骨距骨关节转动轴可视化，进而调整螺钉位置

**2**  
**10010001 可透光踝关节螺钉导向器，无菌**



## 6. INSTRUMENTATION

**1**  
**Screw Guides**  
10011032 Length 32 mm  
10011045 Length 45 mm  
10011060 Length 60 mm  
10011080 Length 80 mm  
10011100 Length 100 mm  
10011160 Length 160 mm  
Screw Guide length depends on soft tissue dimensions.

**2**  
**Ruland Pilot wire Guides**  
Ø 2.0 mm  
10012075 Length 75 mm  
10012115 Length 115 mm  
For insertion of X-Wires.

**3**  
**Drill Guides**  
Ø 2.9 mm  
10013010 Length 20 mm  
Ø 3.2 mm  
10013020 Length 20 mm  
10013040 Length 40 mm  
10013080 Length 80 mm  
Ø 4.8 mm  
10014040 Length 40 mm  
10014060 Length 60 mm  
10014080 Length 80 mm  
10014140 Length 140 mm  
Drill Guide size depends on Drill Bit diameter and Screw Guide length. See page 21 for Assembly Kit.

**4**  
**10016001 Tapered Trocar**  
Used within a screw guide to locate an appropriate position on the cortex.  
**5**  
**10019003 Allen wrench 6 mm**

## 6. 器械

**1 螺钉导向器**  
10011032 长度 32mm  
10011045 长度 45mm  
10011060 长度 60mm  
10011080 长度 80mm  
10011100 长度 100mm  
10011160 长度 160mm  
螺钉导向器的长度取决于软组织的尺寸

**2 导针导向器 Ø2.0mm**  
10012075 长度 75mm  
10012115 长度 115mm  
用于植入克氏针

**3 钻头导向器**  
Ø2.9mm  
10013010 长度 20mm  
Ø3.2mm  
10013020 长度 20mm  
10013040 长度 40mm  
10013080 长度 80mm  
Ø4.8mm  
10014040 长度 40mm  
10014060 长度 60mm  
10014080 长度 80mm  
10014140 长度 140mm

钻头导向器的尺寸取决于钻头直径和螺钉导向器的长度

**4 锥形套管针**  
在螺钉导向器内，用于在皮层上确定一个合适的位置

**5**  
**10019003 Ø6mm六角扳手**

## INSTRUMENTATION

6

- 10015001 Hammer  
10015002 Hammer Interchangeable Head  
10015003 Hammer Locking Nut

7

- 10019001 Allen wrench 3 mm

8

## Drill Bit Stop Units

- 10020003/10020004  $\Phi$ 2.7/2.9 mm  
10020001  $\Phi$ 3.2 mm  
10020002  $\Phi$ 4.8 mm

9

Drill Bits  $\Phi$  2.9 mm

- 10021006 Length 140 mm  
For  $\Phi$  3.5-3.2 mm cortical screws.  
10021006 Drill Bit Kit  $\Phi$  2.9 mm  
Consisting of: 1 Allen wrench 3mm,  
1 Drill Bit Stop Unit  $\Phi$ 2.7/2.9mm  
and 1 Drill Bit 140mm.

 $\Phi$  3.2 mm

- 10021001 Length 140 mm  
10021002 Length 200 mm  
For  $\Phi$  6-5mm cancellous screws  
and  $\Phi$  4.5-3.5mm cortical screws.  
10021001, 10021002, Drill Bit Kits  
 $\Phi$  3.2 mm  
Consisting of: 1 Allen wrench 3mm,  
1 Drill Bit Stop Unit  $\Phi$ 3.2mm and  
1 Drill Bit (140mm in kit 13003  
and 200mm in kit 11003).

 $\Phi$  4.8 mm

- 10021003 Length 180 mm  
10021004 Length 240 mm  
10021005 Length 280 mm  
For  $\Phi$  6-5mm cortical screws.  
10021003, 10021004, 10021005,  
Drill Bit Kits  $\Phi$  4.8 mm  
Consisting of: 1 Allen wrench 3mm,  
1 Drill Bit Stop Unit  $\Phi$ 4.8mm and  
1 Drill Bit (180mm in kit 10021003;  
240mm in kit 10021004 and 280mm  
in kit 10021005).

10

Cannulated Bits  $\Phi$  3.2 mm

- 10022001 Length 150 mm  
10022002 Length 300 mm  
With 1.8mm cannulation.  
10022001, 10022002, Cannulated  
Drill Bit Kits  $\Phi$  3.2 mm  
Consisting of: 1 Allen wrench 3mm,  
1 Drill Bit Stop Unit  $\Phi$ 3.2mm and  
1 Cannulated Drill Bit (150mm in kit  
10022001; 300mm in kit 10022002).

 $\Phi$  4.8 mm

- 10023001 Length 150 mm  
10023002 Length 250 mm  
10023003 Length 280 mm  
With 2.2mm cannulation.  
10023003 Cannulated Drill Bit Kit  
 $\Phi$  4.8 mm  
Consisting of: 1 Allen wrench 3mm,  
1 Drill Bit Stop Unit  $\Phi$ 4.8mm and  
1 Cannulated Drill Bit 280mm.



6



7



9

8



10

## 器械

6

- 10015001 锤子  
10015002 锤子可替换头部  
10015003 锤子锁定螺母

7

- 10019001  $\Phi$ 3mm六角扳手

8

## 钻头调节装置

- 10020003  $\Phi$ 2.7mm  
10020004  $\Phi$ 2.9mm  
10020001  $\Phi$ 3.2mm  
10020002  $\Phi$ 4.8mm

9

钻头,  $\Phi$ 2.9mm

- 10021006 长度 140mm  
用于 $\Phi$ 3.2-3.5mm的皮质骨钉。  
10021006 钻头装置,  $\Phi$ 2.9mm  
组成: 1个3mm的艾伦扳手, 1个钻头调节装置  
 $\Phi$ 2.7或2.9mm, 一个长度为140mm钻头

 $\Phi$ 3.2mm

- 10021001 长度 140mm  
10021002 长度 200mm  
用于 $\Phi$ 5-6mm的松质钉和 $\Phi$ 3.5-4.5mm的皮质钉  
10021001, 10021002 钻头装置,  
 $\Phi$ 3.2mm  
构成: 1个 $\Phi$ 3mm六角扳手, 1个 $\Phi$ 3.2mm的  
调节装置和1个钻头 (10021001 长140mm,  
10021002 长200mm)。

 $\Phi$ 4.8mm

- 10021003 长度 180mm  
10021004 长度 240mm  
10021005 长度 280mm  
用于 $\Phi$ 5-6mm的皮质螺钉。  
10021003, 10021004, 10021001 钻头装  
置,  $\Phi$ 4.8mm  
构成: 1个 $\Phi$ 3mm六角扳手, 1个 $\Phi$ 4.8mm的  
钻头调节装置, 1个钻头 (10021003 长180mm,  
10021004 长240mm, 10021005 长280mm)。

10

空心钻头,  $\Phi$ 3.2mm

- 10022001 长度 150mm  
10022002 长度 300mm  
内径1.8mm  
10022001, 10022002 空心钻头装置,  
 $\Phi$ 3.2mm  
构成: 1个 $\Phi$ 3mm的扳手, 1个 $\Phi$ 3.2mm的钻头  
调节装置和1个空心钻头 (10022001 长150mm,  
10022002 长300mm)

 $\Phi$ 4.8mm

- 10023001 长度 150mm  
10023002 长度 250mm  
10023003 长度 280mm  
内径2.2mm  
10023003 空心钻头装置,  $\Phi$ 4.8mm  
构成: 1个 $\Phi$ 3mm的六角扳手, 1个 $\Phi$ 4.8mm的  
钻头调节装置和1个长280mm的空心钻头

## INSTRUMENTATION

11

### X-wires without olive

**10024001**  $\Phi$ 1.5mm, Length 250 mm  
(To be used with 3.2mm Cannulated Drill Bit).

**10024002**  $\Phi$ 2.0mm, Length 150 mm  
(To be used with 4.8mm Cannulated Drill Bit).

12

### 10025001 T-wrench

Used to insert or remove bone screws.

13

### 10025002 Torque wrench 6 mm

ONLY used for locking the cams of the ball-joints: it should be rotated clockwise until a click is heard.

14

### 10025003 Fixator Self-Locking Manipulation Forceps

To distance surgeon's hands from X-ray during fracture reduction.

### Assembly Kit

Consisting of:

6x10011060 Screw Guide, length 60 mm

6x10011100 Screw Guide, length 100 mm

1x10013040 Drill Guide  $\Phi$ 3.2 mm, length 40 mm

1x10014040 Drill Guide  $\Phi$ 4.8 mm, length 40 mm

1x10013080 Drill Guide  $\Phi$ 3.2 mm, length 80 mm

1x10014080 Drill Guide  $\Phi$ 4.8 mm, length 80 mm

1x10016001 Tapered Trocar

## 器械

11

### 不带橄榄球的克氏针

**10024001**  $\Phi$ 1.5mm, 长度 250mm  
和  $\Phi$ 3.2mm的空心钻头一起使用

**10024002**  $\Phi$ 2.0mm, 长度 150mm  
和  $\Phi$ 4.8mm的空心钻头一起使用

12

### 10025001 T型扳手

用来植入可取出接骨螺钉

13

### 10025002 $\Phi$ 6mm扭矩扳手

仅用于锁定球关节的偏心轴, 按顺时针旋转, 直到听到“咔嚓”声为止

14

### 10025003 自锁复位钳

使医生的手在骨折复位手术中远离X光

### 装配组件

组成: 6x10011060 螺钉导向器 长度 60mm

6x10011100 螺钉导向器 长度100mm

1x10013040 钻头导向器  $\Phi$ 3.2mm  
长度 40mm

1x10014040 钻头导向器  $\Phi$ 4.8mm  
长度 40mm

1x10013080 钻头导向器  $\Phi$ 3.2mm  
长度 80mm

1x10014080 钻头导向器  $\Phi$ 4.8mm  
长度 80mm

1x10016001 锥形套管针



12

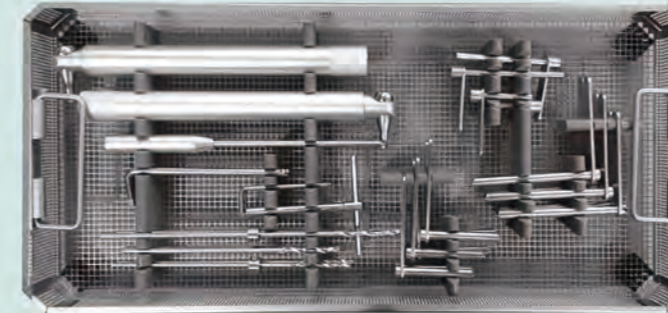
11



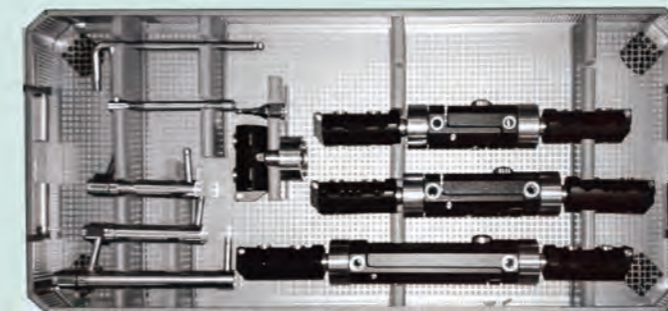
13



14



1



2

## 7. STERILIZATION BOXES

1

### 31001 D.A.F. Instruments Set

Can accommodate:

2x10019003 Allen Wrench 6mm

2x10021002 Drill Bit, 200mm  $\Phi$ 3.2mm

2x10021003 Drill Bit, 180mm  $\Phi$ 4.8mm

2x10021004 Drill Bit, 240mm  $\Phi$ 4.8mm

2x10019001 Allen Wrench 3mm

1x10025001 T-Wrench

1x10013040 Drill Guide, 40mm  $\Phi$ 3.2mm

1x10013080 Drill Guide, 80mm  $\Phi$ 3.2mm

1x10014040 Drill Guide, 40mm  $\Phi$ 4.8mm

1x10014080 Drill Guide, 80mm  $\Phi$ 4.8mm

6x10011060 Screw Guide, 60mm

6x10011100 Screw Guide, 100mm

2x10025002 Torque Wrench

1x10020002 Drill Bit Kit, Stop Unit  $\Phi$ 4.8mm

1x10020001 Drill Bit Kit, Stop Unit  $\Phi$ 3.2mm

1x10016001 Trocar

2

### 31002 D.A.F. System with Actuator Set

Can accommodate:

1x10105040 Short Kit

1x10106050 Standard Kit

1x10106070 Long Kit

1x20010002 T-Clamp

1x10025001 T-Wrench

1x10026001 Screw Connector

1x10010011 Supplementary Screw Holder

1x10019003 Allen Wrench 6mm

## 7. 消毒盒

1

### 31001 D.A.F.器械包

可包括:

2x10019003  $\Phi$ 6mm六角扳手

2x10021002 钻头, 长200mm,  $\Phi$ 3.2mm

2x10021003 钻头, 长180mm,  $\Phi$ 4.8mm

2x10021004 钻头, 长240mm,  $\Phi$ 4.8mm

2x10019001 3毫米艾伦扳手

1x10025001 T型扳手

1x10013040 钻头导向器 长40mm,  $\Phi$ 3.2mm

1x10013080 钻头导向器 长80mm,  $\Phi$ 3.2mm

1x10014040 钻头导向器 长40mm,  $\Phi$ 4.8mm

1x10014080 钻头导向器 长80mm,  $\Phi$ 4.8mm

6x10011060 螺钉导向器, 长60mm

6x10011100 螺钉导向器, 长100mm

2x10025002 扭矩扳手

1x10020002 带调节装置的钻头,  $\Phi$ 4.8mm

1x10020001 带调节装置的钻头,  $\Phi$ 3.2mm

1x10016001 锥形套管针

2

### 31002 带微调装置的D.A.F.器械包

可包括:

1x10105040 短支架

1x10106050 标准支架

1x10106070 长支架

1x20010002 T型夹块

1x10025001 T型扳手

1x10026001 螺钉连接器

1x10010011 辅助螺钉固定装置

1x10019003  $\Phi$ 6mm六角扳手

## STERILIZATION BOXES

3

**31003 D.A.F. System Steribox**

Can accommodate:

- 1x10105040 Short Kit
- 1x10106050 Standard Kit
- 1x10106070 Long Kit
- 1x20010002 T-Clamp
- 1x10025001 T-Wrench
- 1x10026001 Screw Connector
- 1x20010007 Metaphyseal Clamp
- 1x10010011 Supplementary Screw Holder
- 2x10019003 Allen Wrench 6mm

4

**30003 Extra-caliber Hybrid System Rings Steribox, Carbon Fiber Seep. A10.**

3

## 消毒盒

3

**31003 D.A.F.系统消毒盒**

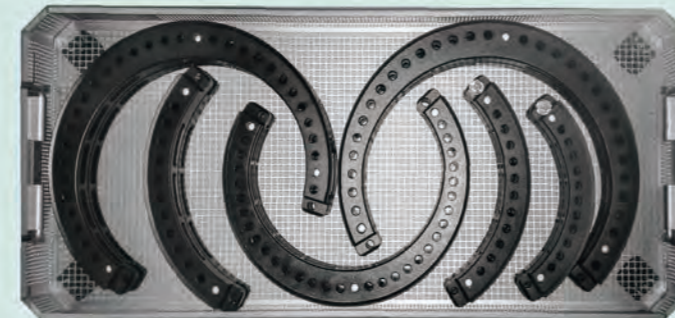
可包括:

- 1 × 10105040 短支架
- 1 × 10106050 标准支架
- 1 × 10106070 长支架
- 1 × 20010002 T型夹块
- 1 × 10025001 T型扳手
- 1 × 10026001 螺钉连接器
- 1 × 20010007 骨干夹块
- 1 × 10010011 附属螺钉固定器
- 2 × 10019003 Φ6mm六角扳手

4

**30003 可透光组合环形系统消毒盒, 碳素纤维**

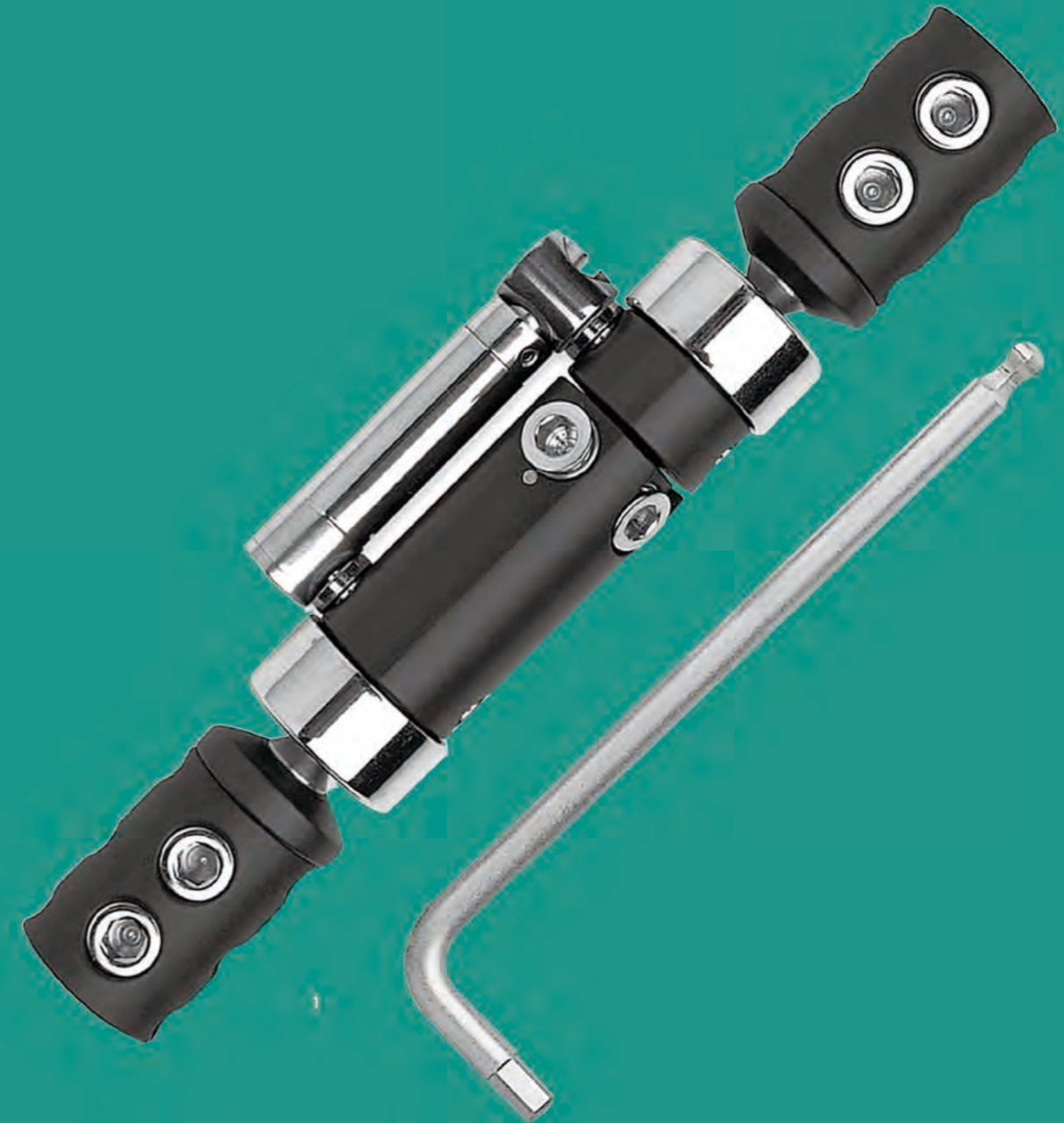
详见第A10页



4

## C. SMALL DYNAMIC AXIAL FIXATOR

### C. 小型动力支架(三节式)



**1**  
**10104000 Small D.A.F. Kit**  
 Complete with Compression-Distraction Unit and AllenWrench 5 mm (16.4 cm between outermost screws when fixator body fully closed; extends by 4.5 cm).

**1**  
**10104000 小型动力支架(三节式)组件**  
 由调节装置和5mm的六角扳手组成完整的一套(当支架主体完全闭合时,最末端螺钉间距为16.4cm,可延伸4.5cm)



## 1. BALL-JOINTED MODULES

1

### 20010012 Small D.A.F. Straight Clamp

Enables screws to be inserted in a plane parallel to the diaphyseal axis of the bone.

2

### 20010013 Small D.A.F. T-Clamp

Enables screws to be inserted in a plane at right angles to the diaphyseal axis of the bone.

Note: All of the above should be applied using the appropriate template, see page 33.



## 1. 球关节组件

1

### 20010012 小D.A.F.直型夹块

使螺钉在平行于骨干轴的平面上植入

2

### 20010013 小D.A.F. T型夹块

使螺钉在与骨干轴成直角的平面上植入

注意：以上所有都应该使用合适的模板，见33页



## 2. NON BALL-JOINTED MODULES

3

### 10010111 D.A.F. Supplementary Screw Holder

Attaches to the Central Body of the Fixator or to a bone screw. Used to secure a large unstable fragment.

4

### 10010014 Supplementary Screw Holder Clamp



## 2. 非球关节组件

3

### 10010111 D.A.F.辅助螺钉固定装置

连接到支架的中间体或接骨螺钉，用于固定一个不稳定的大骨折碎片

4

### 10010014 辅助螺钉夹块



1



2



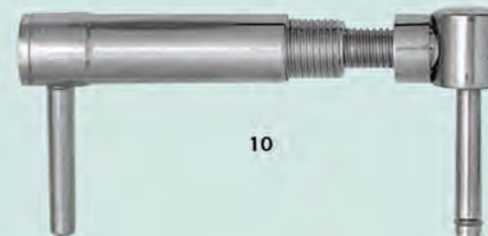
3



4



7



10



5



6



8



9

## 3. COMPONENTS/REPLACEMENTS

1

20030000 Small D.A.F. Central Body  
Complete with 2 Cams, 2 Bushes and 2 Small D.A.F. Central Body Locking Nuts.

2

20030011 Small D.A.F. Central Component

3

20030012 Small D.A.F. Male Component

4

20030013 Small D.A.F. Female Component

5

20030014 Small D.A.F. Central Body Locking Nut

6

20030015 Small D.A.F. Bush

7

20030016 Cam

8

20030017 Clamp Screw

9

20030018 Small D.A.F. Clamp Cover

10

20011050 Compression-Distraction Unit Extends to 5 cm.

## 3. 组件/替换件

1

20030000 小D.A.F.中间体  
由2个偏心轴，2个钢碗和2个D.A.F.中间体锁定螺母

2

20030011 小D.A.F.中间组件

3

20030012 小D.A.F.阳性组件

4

20030013 小D.A.F.阴性组件

5

20030014 小D.A.F.中间体锁定螺母

6

20030015 小D.A.F.钢碗

7

20030016 偏心轴

8

20030017 夹块螺钉

9

20030018 小D.A.F.夹块盖板

10

20011050 调节装置，可延伸 5cm

## 4. INSTRUMENTATION

1

### Screw Guides

- 10011032 Length 32 mm  
10011045 Length 45 mm  
10011060 Length 60 mm

Screw Guide length depends on soft tissue dimensions.

2

### Drill Guides

- Ø 2.9 mm**  
10013010 Length 20 mm  
**Ø 3.2 mm**  
10013020 Length 20 mm  
10013040 Length 40 mm  
**Ø 4.8 mm**  
10014040 Length 40 mm  
10014060 Length 60 mm

3

### 10016001 Tapered Trocar

Used within a screw guide to locate an appropriate position on the cortex.

4

### Cannulated Bits Ø 3.2 mm

- 10022001 Length 150 mm  
With 1.8mm cannulation.

#### 10022001 Cannulated Drill Bit Kit Ø 3.2 mm

Consisting of: 1 Allen wrench 3mm,  
1 Drill Bit Stop Unit Ø3.2mm and  
1 Cannulated Drill Bit 150mm.

### Ø 4.8 mm

- 10023001 Length 150 mm  
With 2.2mm cannulation.

5

- 10019001 Allen wrench 3 mm

## 4. 器械

### 1 螺钉导向器

- 10011032 长度 32mm  
10011045 长度 45mm  
10011060 长度 60mm  
螺钉导向器的长度取决于软组织的尺寸

### 2 钻头导向器, Ø2.9mm

- 10013010 长度 20mm  
**Ø3.2mm**  
10013020 长度 20mm  
10013040 长度 40mm  
**Ø4.8mm**  
10014040 长度 40mm  
10014060 长度 60mm

钻头导向器的尺寸取决于钻头直径和螺钉导向器的长度

3

### 10016001 锥形套管针

在螺钉导向器内用于在皮层上确定一个合适的位置

4

### 空心钻头, Ø3.2mm

- 10022001 长度 150mm  
内径 1.8mm

### 10022001 空心钻头装置, Ø3.2mm

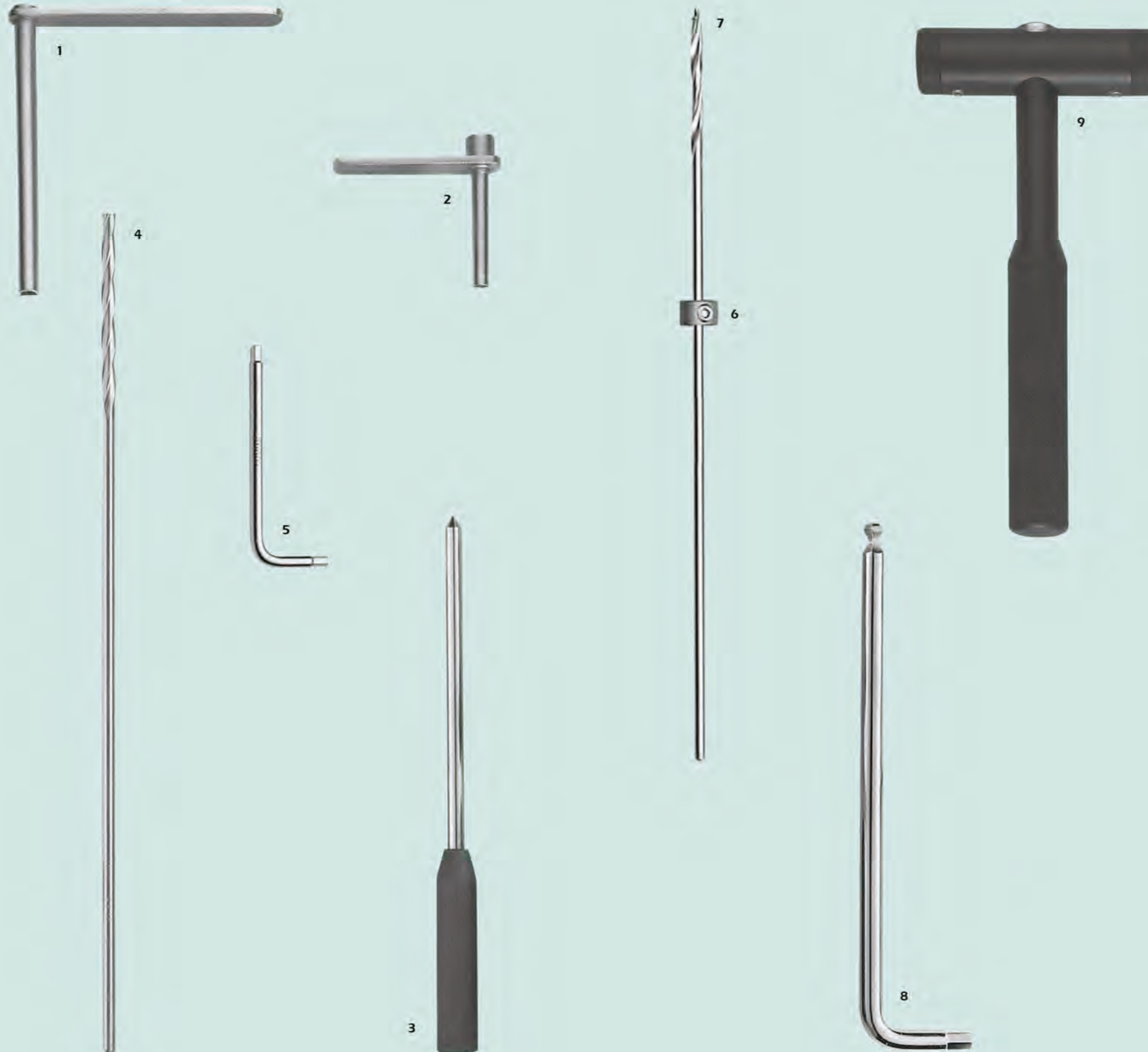
组成: 1个 Ø3mm的六角扳手, 1个 Ø3.2mm的钻头调节装置, 1个长150mm空心钻头

### Ø4.8mm

- 10023001 长度 150mm  
内径 2.2mm

5

- 10019001 Ø3mm六角扳手



## INSTRUMENTATION

6

### Drill Bit Stop Units

- 10020003/10020004 Ø2.7/2.9 mm  
10020001 Ø3.2 mm  
10020002 Ø4.8 mm

7

### Drill Bits Ø 2.9 mm

- 10021006 Length 140 mm  
For Ø 3.5-3.2 mm cortical screws.

#### 10021006 Drill Bit Kit Ø 2.9 mm

Consisting of: 1 Allen wrench 3mm,  
1 Drill Bit Stop Unit Ø2.7/2.9mm  
and 1 Drill Bit 140mm.

### Ø 3.2 mm

- 10021001 Length 140 mm  
For Ø 6-5mm cancellous screws and  
Ø 4.5-3.5mm cortical screws.

#### 10021001 Drill Bit Kit Ø 3.2 mm

Consisting of: 1 Allen wrench 3mm,  
1 Drill Bit Stop Unit Ø3.2mm and  
1 Drill Bit 140mm.

### Ø 4.8 mm

- 10021003 Length 180 mm  
For Ø 6-5mm cortical screws.

#### 10021003 Drill Bit Kit Ø 4.8 mm

Consisting of: 1 Allen wrench 3mm,  
1 Drill Bit Stop Unit Ø4.8mm and  
1 Drill Bit 180mm.

8

- 10019002 Allen wrench 5 mm

9

- 10015001 Hammer  
10015002 Hammer Interchangeable Head  
10015003 Hammer Locking Nut

## 器械

6

### 钻头调节装置

- 10020003/10020004 Ø 2.7/2.9mm  
10020001 Ø 3.2mm  
10020002 Ø 4.8mm

7

### 钻头, Ø2.9mm

- 10021006 长度 140mm  
用于 Ø3.2-3.5mm的皮质骨钉

#### 10021006 钻头装置, Ø2.9mm

组成: 1个 Ø3mm的六角扳手, 1个 Ø2.7/2.9mm  
钻头调节装置, 一个长度为140mm钻头

### Ø3.2mm

- 10021001 长度 140mm  
用于 Ø5-6mm的松质钉和 Ø3.5-4.5mm的皮质钉

#### 10021001 钻头装置, Ø3.2mm

组成: 1个 Ø3mm的六角扳手, 1个 Ø3.2mm的  
钻头调节装置和1个长140mm钻头

### Ø4.8mm

- 10021003 长度 180mm  
用于 Ø5-6mm的皮质螺钉

#### 10021003 钻头装置, Ø4.8mm

组成: 1个 Ø3mm的六角扳手, 1个 Ø4.8mm的  
钻头调节装置和1个长180mm钻头

8

- 10019002 Ø5mm六角扳手

9

- 10015001 锤子  
10015002 锤子可替换头部

- 10015003 锤子锁定螺母

## INSTRUMENTATION

10

**X-wires without olive**

**10024001**  $\Phi$ 1.5mm, Length 250 mm  
(To be used with 3.2mm Cannulated Drill Bit).

**10024002**  $\Phi$ 2.0mm, Length 150 mm  
(To be used with 4.8mm Cannulated Drill Bit).

11

**10025012 Torque wrench 5 mm**

ONLY used for locking the cams of the ball-joints; it should be rotated clockwise until a click is heard.

12

**10025003 Fixator Self-Locking Manipulation Forceps**

To distance surgeon's hands from X-ray during fracture reduction.

13

**10025001 T-wrech**

Used to insert or remove bone screws.

**Small D.A.F. Assembly Template Kit**

Consisting of:

6x10011032 Screw Guide,  
length 32 mm

6x10011060 Screw Guide,  
length 60 mm

1x10013020 Drill Guide,  
20 $\times$ 3.2 mm

1x10013040 Drill Guide,  
40 $\times$ 3.2 mm

1x10014040 Drill Guide,  
40 $\times$ 4.8 mm

1x10016001 Tapered Trocar

## 器械

10

**不带橄榄球的克氏针**

**10024001**  $\Phi$ 1.5mm, 长度 250mm  
和  $\Phi$ 3.2mm 的空心钻头一起使用

**10024002**  $\Phi$ 2.0mm, 长度 150mm  
和  $\Phi$ 4.8mm 的空心钻头一起使用

11

**10025012 5毫米扭矩扳手**

仅用于锁定球关节的偏心轴, 按顺时针旋转, 直到听到“咔嚓”声为止

12

**10025003 自锁复位钳**

使医生的手在骨折复位手术中远离X光

13

**10025001 T型扳手**

用来植入可取出接骨螺钉

**小D.A.F.装配组件**

组成: 6 $\times$ 10011032 螺钉导向器 长度32mm

6 $\times$ 10011060 螺钉导向器 长度60mm

1 $\times$ 10013020 钻头导向器 20 $\times$ 3.2mm

1 $\times$ 10013040 钻头导向器 40 $\times$ 3.2mm

1 $\times$ 10014040 钻头导向器 40 $\times$ 4.8mm



## D. FIXATION FOR HTO (HIGH TIBIAL OSTEOTOMY)

### D. 高位胫骨截骨支架



**1**  
**10206080 Self-aligning Articulated Body Assembly Kit**

Consisting of: 1 Self-aligning Articulated Body, 1 Standard Body Male Component, 1 Central Body Locking Nut, 2 Bushes, 2 Cams, 1 Straight Clamp, 1 ProCallus T-Clamp, 1 Micromovement Locking Nut, 1 Compression-Distraction Unit Standard. See section "B. Dynamic Axial Fixator" for components.

2

**10106160 Fixator Assembly with LRS Rail and LRS OF-Garches T-Clamp**

Consisting of: 1 OF-Garches T-Clamp, 1 OF-Garches Standard Compression-Distraction Unit, 1 L.R.S. Rail short, 1 L.R.S. Straight Central Clamp.

1

**10206080 自动校准关节支架装置**

组成: 1个自动校准关节主体, 1个标准型阳性主体组件, 1个中间体锁定螺母, 2个钢碗, 2个偏心轴, 1个直型夹块, 1个T型夹块, 1个微调锁定螺母, 1个标准调节套

2

**10106160 带肢体重建系统杆的装配支架和OF-Garches T型夹块**

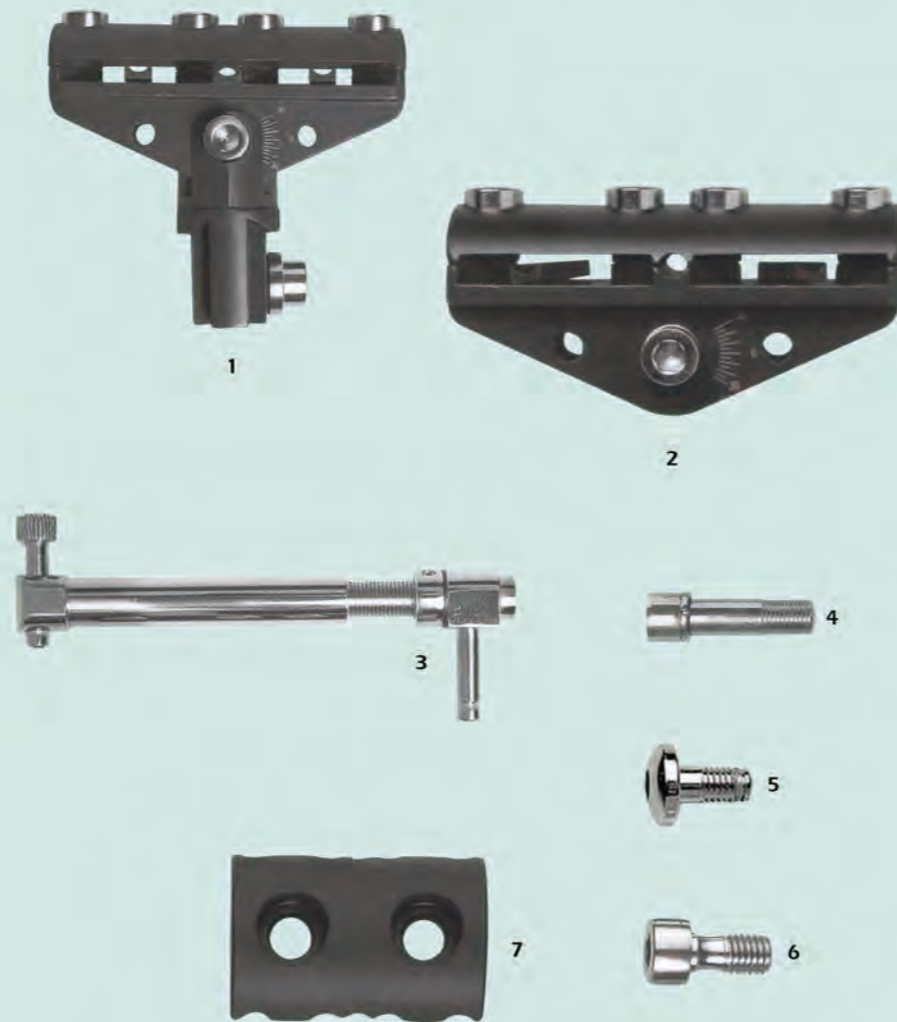
组成: 1个OF-Garches T型夹块, 1个OF-Garches标准调节套, 1个短的肢体重建系统杆, 1个肢体重建系统直型中心夹块

## 1. COMPONENTS/ REPLACEMENTS

- 1  
20010111 LRS OF-Garches T-Clamp  
For upper metaphyseal osteotomies and  
valgus or varus correction.
- 2  
20031001 OF-Garches Standard  
T-Clamp
- 3  
OF-Garches Compression-Distraction  
Units  
20040010 Standard  
Extends to 5.5 cm  
20040020 Long  
Extends to 10 cm
- 4  
20031002 OF-Garches T-Clamp Axis  
Locking Nut
- 5  
20010022 D.A.F. Central Body  
Locking Nut
- 6  
20031004 Clamp Screw
- 7  
20031005 Clamp Cover

## 1. 组件/替换件

- 1  
20010111 肢体重建系统 OF-Garches  
T型夹块  
用于骨干后端和外翻足或弓形腿。
- 2  
20031001 OF-Garches标准T型夹块
- 3  
OF-Garches调节套  
20040010 标准型  
可延伸5.5cm  
20040020 长型  
可延伸10cm
- 4  
20031002 OF-Garches T型夹块轴锁定  
螺母
- 5  
20010022 D.A.F.中间体锁定螺母
- 6  
20031004 夹块螺钉
- 7  
20031005 夹块套



## 2. TEMPLATES

- 1  
14146000 L.R.S. OF-Garches T-Clamp  
Template

## 2. 模板

- 1  
14146000 肢体重建系统 OF-Garches  
T型夹块模板



### 3. INSTRUMENTATION

**1**  
**Screw Guides**  
10011032 Length 32 mm  
10011045 Length 45 mm  
10011060 Length 60 mm  
10011080 Length 80 mm  
10011100 Length 100 mm  
10011160 Length 160 mm  
Screw Guide length depends on soft tissue dimensions.

**2**  
**Ruland Pilot wire Guides**  
Ø 2.0 mm  
10012075 Length 75 mm  
10012115 Length 115 mm  
For insertion of X-Wires.

**3**  
**Drill Guides**  
Ø 3.2 mm  
10013020 Length 20 mm  
10013040 Length 40 mm  
10013080 Length 80 mm  
Ø 4.8 mm  
10014040 Length 40 mm  
10014060 Length 60 mm  
10014080 Length 80 mm  
10014140 Length 140 mm  
Drill Guide size depends on Drill Bit diameter and Screw Guide length.

**4**  
10015001 Hammer  
10015002 Hammer Interchangeable Head  
10015003 Hammer Locking Nut

**5**  
10016001 Tapered Trocar  
Used within a screw guide to locate an appropriate position on the cortex.

### 3. 器械

**1**  
**螺钉导向器**  
10011032 长度 32mm  
10011045 长度 45mm  
10011060 长度 60mm  
10011080 长度 80mm  
10011100 长度 100mm  
10011160 长度 160mm  
螺钉导向器的长度取决于软组织的尺寸

**2**  
**导针导向器, Ø2.0mm**  
10012075 长度 75mm  
10012115 长度 115mm  
用于植入克氏针

**3**  
**钻头导向器, Ø3.2mm**  
10013020 长度 20mm  
10013040 长度 40mm  
10013080 长度 80mm  
Ø4.8mm  
10014040 长度 40mm  
10014060 长度 60mm  
10014080 长度 80mm  
10014140 长度 140mm  
钻头导向器的尺寸取决于钻头直径和螺钉导向器的长度

**4**  
10015001 锤子  
10015002 锤子可替换头部  
10015003 锤子锁定螺母

**5**  
10016001 锥形套管针  
在螺钉导向器内, 用于在皮层上确定一个合适的位置



### INSTRUMENTATION

**6**  
10019003 Allen wrench 6 mm  
**7**  
10019001 Allen wrench 3mm

**8**  
**Drill Bit Stop Units**  
10020001 Ø3.2 mm  
10020002 Ø4.8 mm

**9**  
**Drill Bits Ø 3.2mm**  
10021001 Length 140 mm  
10021002 Length 200 mm  
For Ø 6-5mm cancellous screws and Ø 4.5-3.5mm cortical screws.  
10021001, 10021002, Drill Bit Kits Ø 3.2 mm  
Consisting of: 1 Allen wrench 3mm, 1 Drill Bit Stop Unit Ø3.2mm and 1 Drill Bit (140mm in kit 10021001 and 200mm in kit 10021002).

Ø 4.8 mm  
10021003 Length 180 mm  
10021004 Length 240 mm  
10021005 Length 280 mm  
For Ø 6-5mm cortical screws.  
10021003, 10021004, 10021005, Drill Bit Kits Ø 4.8 mm  
Consisting of: 1 Allen wrench 3mm, 1 Drill Bit Stop Unit Ø4.8mm and 1 Drill Bit (180mm in kit 10021003; 240mm in kit 10021004 and 280mm in kit 10021005).

### 器械

**6**  
10019003 Ø6mm六角扳手  
**7**  
10019001 Ø3mm六角扳手

**8**  
**钻头调节装置**  
10020001 Ø3.2mm  
10020002 Ø4.8mm

**9**  
**钻头, Ø3.2mm**  
10021001 长度 140mm  
10021002 长度 200mm  
用于Ø5-6mm的松质钉和Ø3.5-4.5mm的皮质钉  
10021001, 10021002 钻头装置, Ø3.2mm  
组成: 1个Ø3mm的六角扳手, 1个Ø3.2mm的钻头调节装置和1个钻头 (10021001 长度 140mm, 10021002 长度 200mm)

Ø4.8mm  
10021003 长度 180mm  
10021004 长度 240mm  
10021005 长度 280mm  
用于Ø5-6毫米的皮质钉  
10021003, 10021004, 10021005 钻头装置, Ø4.8mm  
组成: 1个Ø3mm的六角扳手, 1个Ø4.8mm的钻头调节装置和1个钻头 (10021003 长度 180mm, 10021004 长度 240mm, 10021005 长度 280mm)

## INSTRUMENTATION

10

**Cannulated Bits Ø 3.2 mm**

**10022001** Length 150 mm

**10022002** Length 300 mm

With 1.8mm cannulation.

**10022001, 10022002, Cannulated Drill Bit Kits Ø 3.2 mm**

Consisting of: 1 Allen wrench 3mm,  
1 Drill Bit Stop Unit Ø3.2mm and  
1 Cannulated Drill Bit (150mm in kit  
10022001; 300mm in kit 10022002).

**Ø 4.8 mm**

**10023001** Length 150 mm

**10023002** Length 250 mm

**10023003** Length 280 mm

With 2.2mm cannulation.

**10023003 Cannulated Drill Bit Kit  
Ø 4.8 mm**

Consisting of: 1 Allen wrench 3mm,  
1 Drill Bit Stop Unit Ø4.8mm and  
1 Cannulated Drill Bit 280mm.

11

**X-wires without olive**

**10024001** Ø1.5mm, Length 250 mm

(To be used with 3.2mm Cannulated Drill Bit).

**10024002** Ø2.0mm, Length 150 mm

(To be used with 4.8mm Cannulated Drill Bit).

12

**10025012 Torque wrench 5 mm**

ONLY used for locking the cams of the  
ball-joints: it should be rotated clockwise  
until a click is heard.

13

**10025001 T-wrech**

Used to insert or remove bone screws.

## 器械

10

**空心钻头, Ø3.2mm**

**10022001** 长度 150毫米

**10022002** 长度 300毫米

内径1.8mm

**10022001, 10022002 空心钻头装置,  
Ø3.2mm**

组成: 1个Ø3mm的六角扳手, 1个Ø3.2mm的  
钻头调节装置和1个空心钻头 (10022001 长  
150mm, 10022002 长 300mm)

**Ø4.8mm**

**10023001** 长度 150mm

**10023002** 长度 250mm

**10023003** 长度 280mm

内径2.2mm

**10023003 空心钻头装置, Ø4.8mm**

组成: 1个Ø3mm的六角扳手, 1个Ø4.8mm的  
钻头调节装置和1个长280mm的空心钻头

11

**不带橄榄球的克氏针**

**10024001** Ø1.5mm, 长度 250mm

和Ø3.2mm的空心钻头一起使用

**10024002** Ø2.0mm, 长度 150mm

和Ø4.8mm的空心钻头一起使用

12

**10025012 Ø5mm扭矩扳手**

仅用于锁定球关节的偏心轴, 按顺时针旋转, 直  
到听到“咔嚓”声为止

13

**10025001 T型扳手**

用来植入可取出接骨螺钉



## E. PERTROCHAN- TERIC FIXATOR E. 股骨粗隆支架



1  
10106090 Pertrochanteric Fixator complete  
with Allen wrench 5 mm

1  
10106090 股骨粗隆支架与Ø5mm六角扳手组成  
完整的一套

## 1. COMPONENTS/ REPLACEMENTS

- 1  
10050000 Petrochanteric Fixator  
Angulation Locking Screw
- 2  
10053000 Petrochanteric Fixator  
Rotation Locking Screw
- 3  
10051000 Petrochanteric Fixator  
Distal Rotation Locking Screw

## 1. 组件/替换件

- 1  
10050000 股骨粗隆支架角度锁定螺钉
- 2  
10053000 股骨粗隆支架旋转锁定螺钉
- 3  
10051000 股骨粗隆支架远端旋转锁定螺钉



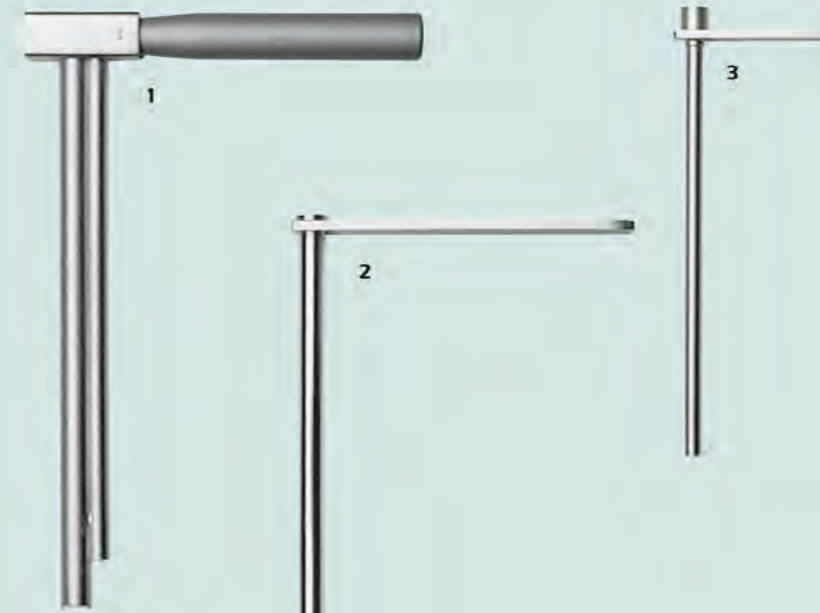
1



2



3



1



2



3



4



5



6

## 2. INSTRUMENTATION

- 1  
**10011150 Petrochanteric Screw Guide**  
Length 150 mm.  
Following insertion of the 2 mm X-Wire  
(80122) along the femoral neck, ensures  
that the path of the proximal screw is  
exactly parallel to that of the X-Wire.

- 2  
**10011160 Screw Guide**  
Length 160 mm.  
To be used only for insertion of the distal  
femoral neck screw.

- 3  
**10014140 Drill Guide Ø 4.8 mm**  
Length 140 mm.

- 4  
**10016002 Trocar Ø 4.8 mm**  
Length 240 mm.  
Used within the drill guide to locate  
an appropriate position on the cortex.

- 5  
**10016003 Trocar Ø 6 mm**  
Length 240 mm.  
Used within the Petrochanteric Screw  
Guide or the Screw Guide to locate  
an appropriate position on the cortex.

- 6  
**10019001 Allen wrench 3 mm**

## 2. 器械

- 1  
**10011150 股骨粗隆螺钉导向器**  
长度 150mm  
在沿着股骨颈植入2mm的克氏针后，可以确保  
近端螺钉的方向和克氏针也是平行的

- 2  
**10011160 螺钉导向器**  
长度 160mm  
仅用于远端股骨颈螺钉的植入

- 3  
**10014140 钻头导向器，Ø4.8mm**  
长度140mm

- 4  
**10016002 套管针，Ø4.8mm**  
长度 240mm  
和钻头导向器一起使用，在皮层确定合适的位置

- 5  
**10016003 套管针，Ø6mm**  
长度 240mm  
和股骨粗隆螺钉导向器一起使用在皮层确定合适的位置

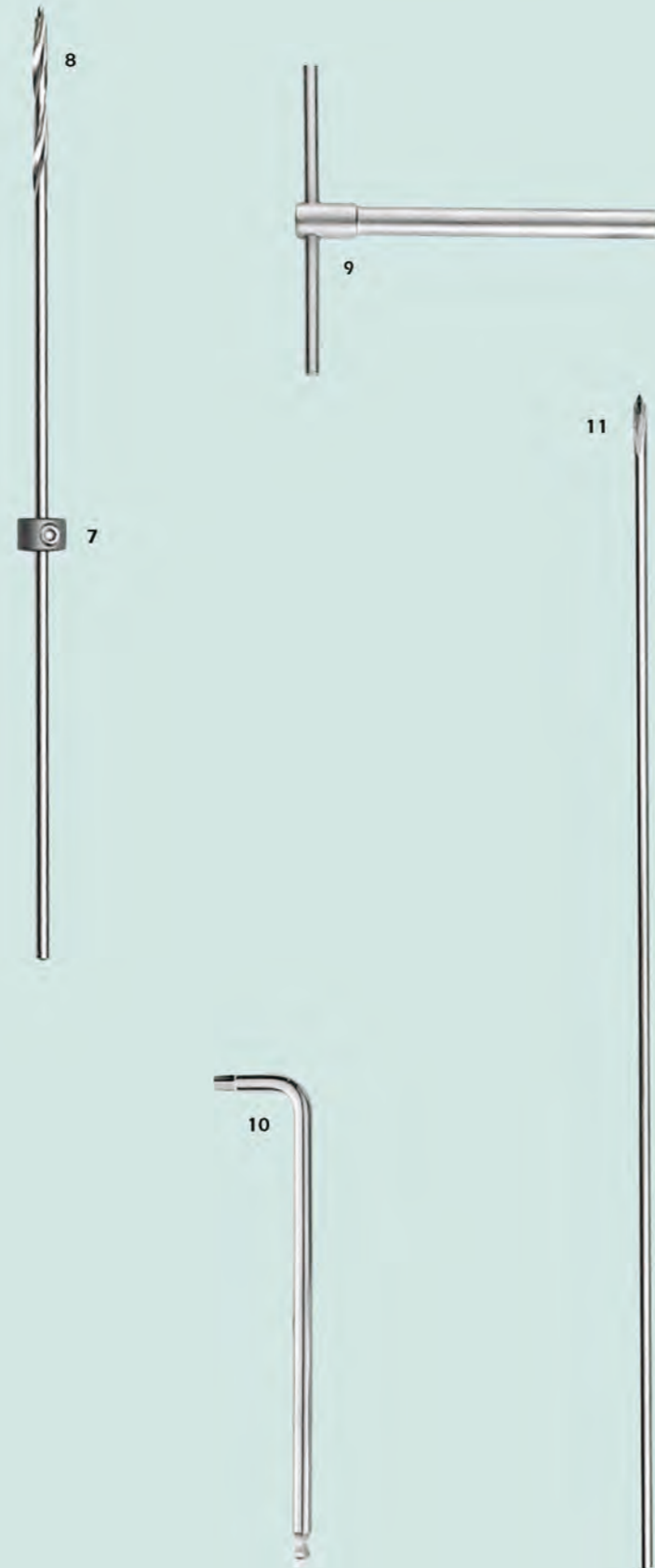
- 6  
**10019001 Ø3mm六角扳手**

**INSTRUMENTATION**

- 7  
10020002 Drill Bit Stop Unit Ø 4.8 mm
- 8  
10021005 Drill Bit Ø 4.8 mm  
Length 280 mm.
- 10021005 Drill Bit Kit Ø 4.8 mm  
    Consisting of: 1 Allen Wrench 3 mm,  
    1 Drill Bit Stop Unit Ø 4.8, 1 Drill Bit  
    length 280 mm.
- 9  
10025001 T-wrench  
Used to insert or remove bone screws.
- 10  
10019002 Allen wrench 5 mm
- 11  
10024003 X-wire without olive Ø 2mm  
Length 400 mm.

**器械**

- 7  
10020002 钻头调节装置, Ø4.8mm
- 8  
10021005 钻头, Ø4.8mm  
长度 280mm
- 10021005 钻头装置, Ø4.8mm  
    组成: 一个Φ3mm的六角扳手, 一个Φ4.8mm  
    的钻头调节装置和一个长度为280mm的钻头
- 9  
10025001 T型扳手  
用来植入可取出接骨螺钉
- 10  
10019002 Ø5mm六角扳手
- 11  
10024003 不带橄榄球的克氏针, Ø2mm  
长度 400mm



**F. HYBRID FIXATION SYSTEM AND RING FIXATOR**  
**F. 组合支架系统和环型支架**



- 1  
10306060 Hybrid Fixator Assembly  
Consisting of: 1 2/3 Ring, 2 Two-Hole X-Wire Securing Pins, 2 Three-Hole Wire Clamp Slider Units, 1 ProCallus Central Body, 1 ProCallus Straight Clamp, 1 Hybrid Coupling with Ball-Joint, 2 Posts, 2 Supplementary Screw Holder Bars, 4 Supplementary Screw Holder Clamps.
- 2  
10306070 Sheffield Ring Fixator Assembly for Trauma  
Consisting of: 2 2/3 Rings, 2 Two-Hole Securing Pins, 2 Three-Hole Wire Clamp Slider Units, 1 Sheffield Clamp, 3 Reduction Units.
- 3  
10306080 Sheffield Ring Fixator Assembly for Reconstruction  
Consisting of: 2 2/3 Rings, 2 1/3 Rings, 4 Locking Screws, 1 Sheffield Clamp, 2 Hinge Clamps, 4 Threaded Bars and 8 Nuts and Washers, 1 Compression-Distraction Clicker Unit, 2 Extension Plates and 2 Single Screw Clamps.
- 1  
10306060 组合支架装置  
组成: 1个2/3的环, 2个2孔克氏针固定销, 2个3孔克氏针滑动夹块, 1个D.A.F.主体, 1个直型夹块, 1个带球关节的组合连接夹, 2个螺栓, 2个附属螺钉固定棒, 4个辅助夹块连接杆
- 2  
10306070 用于创伤手术的圆环支架装置  
组成: 2个2/3的环, 2个2孔克氏针固定销, 2个3孔克氏针滑动夹块, 1个圆环连接夹块, 3个复位装置
- 3  
10306080 用于重建手术的圆环支架装置  
组成: 2个2/3的环, 2个1/3的环, 4个锁定螺钉, 1个圆环连接夹块, 2个转轴夹块, 4个螺纹棒和8个螺母和垫圈, 1个调节装置, 2个张紧板和2个单独的螺钉夹块

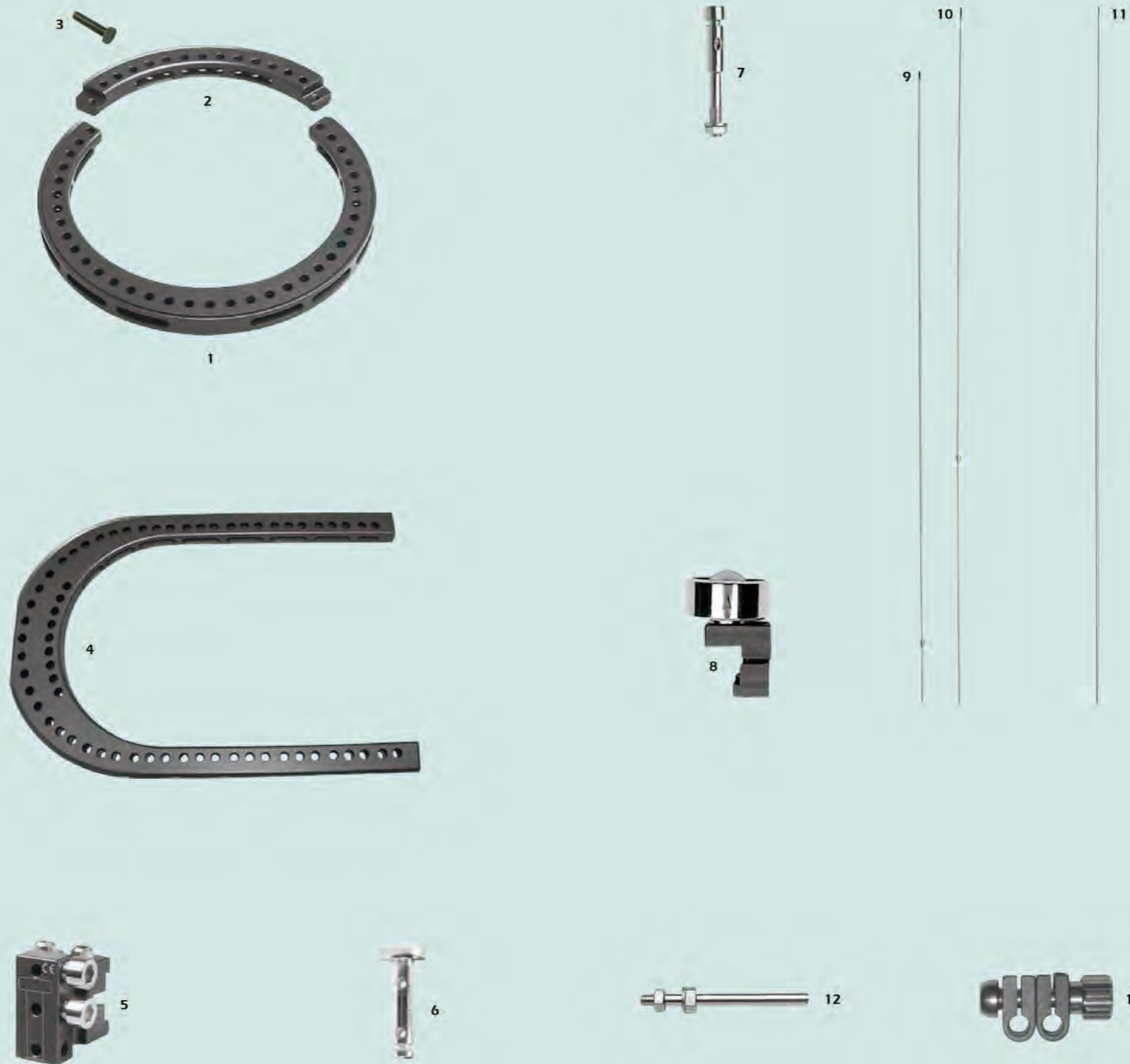


## 1. COMPONENTS/ REPLACEMENTS

- 1**  
**2/3 Rings**  
35000125 Inner Ø 125 mm  
35000150 Inner Ø 150 mm  
35000175 Inner Ø 175 mm  
35000190 Inner Ø 190 mm  
35000220 Inner Ø 220 mm  
**2/3 RadioLucent Rings**  
(Not illustrated)  
35300125 Inner Ø 125 mm  
35300150 Inner Ø 150 mm  
35300175 Inner Ø 175 mm  
35300190 Inner Ø 190 mm  
35300220 Inner Ø 220 mm  
**2**  
**1/3 Rings**  
(Not illustrated)  
35100125 Inner Ø 125 mm  
35100150 Inner Ø 150 mm  
35100175 Inner Ø 175 mm  
35100190 Inner Ø 190 mm  
35100220 Inner Ø 220 mm  
**1/3 RadioLucent Rings**  
(Not illustrated)  
35400125 Inner Ø 125 mm  
35400150 Inner Ø 150 mm  
35400175 Inner Ø 175 mm  
35400190 Inner Ø 190 mm  
35400220 Inner Ø 220 mm  
**3**  
35100001 Ring Locking Screw  
To join 1/3 and 2/3 rings together  
(two locking screws are necessary).  
**4**  
35200150 Foot Ring  
Inner Ø 150 mm.  
For wire fixation of the foot.  
**5**  
35300008 Three-Hole wire Clamp  
Slider Unit  
Should be used with 1 or 2 wires only.  
**6**  
35300001 Two-Hole X-wire Securing Pin

### 1. 组件/替换件

- 1、2/3环**  
35000125 内径 125mm  
35000150 内径 150mm  
35000175 内径 175mm  
35000190 内径 190mm  
35000220 内径 220mm  
可透光2/3环 (无圈)  
35300125 内径 125mm  
35300150 内径 150mm  
35300175 内径 175mm  
35300190 内径 190mm  
35300220 内径 220mm  
**2、1/3环**  
35100125 内径 125mm  
35100150 内径 150mm  
35100175 内径 175mm  
35100190 内径 190mm  
35100220 内径 220mm  
可透光1/3环 (无圈)  
35400125 内径 125mm  
35400150 内径 150mm  
35400175 内径 175mm  
35400190 内径 190mm  
35400220 内径 220mm  
**3、35100001 圆环锁定螺钉**  
将1/3和2/3环连接在一起 (2个锁定钉是必需的)  
**4、35200150 足环**  
内径150mm, 用于足内克氏针的固定  
**5、35300008 3孔克氏针滑动夹块**  
只用1或2根针  
**6、35300001 2孔克氏针固定销**



## COMPONENTS/ REPLACEMENTS

- 7**  
35300002 Independent wire Clamp  
**8**  
35300003 Hybrid Coupling with  
Ball-Joint  
**9**  
**X-wires with lateral olive Ø 2 mm**  
10024010 Length 310 mm  
10024011 Length 350 mm  
10024012 Length 400 mm  
**10**  
**X-wires with central olive Ø 2 mm**  
10025010 Length 400 mm  
10025011 Length 450 mm  
**11**  
**X-wires without olive Ø 2 mm**  
10024003 Length 400 mm  
10024004 Length 450 mm  
**12**  
**Posts**  
10010015 Length 50 mm  
10010016 Length 100 mm  
10010017 Length 150 mm  
**13**  
10010014 Supplementary Screw  
Holder Clamp

### 组件/替换件

- 7**  
35300002 独立克氏针夹块  
**8**  
35300003 带球关节的组合连接夹块  
**9**  
尾部带橄榄球的克氏针, Ø2mm  
10024010 长度 310mm  
10024011 长度 350mm  
10024012 长度 400mm  
**10**  
中间带橄榄球的克氏针, Ø2mm  
10025010 长度 400mm  
10025011 长度 450mm  
**11**  
不带橄榄球的克氏针, Ø2mm  
10024003 长度 400mm  
10024004 长度 450mm  
**12**  
**螺栓**  
10010015 长度 50mm  
10010016 长度 100mm  
10010017 长度 150mm  
**13**  
10010014 辅助螺钉固定夹块

## COMPONENTS/ REPLACEMENTS

**14**  
10010010 Supplementary Screw Holder  
(Bar and Clamps, sterile)

**15**  
35300014 Ring Clamp

**16**  
35300007 Single Screw Clamp

**17**  
35300009 Hinge Clamp  
Allows angulation of the frame for  
deformity correction. It can also be used  
as a clamp to secure a screw or wire.

**18**  
35300010 Extension Plate  
Allows variable attachment of components  
(e.g. hinge clamp, angulated wire) to the ring.

**19**  
35300011 Translation Rotation Hinge  
Enables translation or rotation between  
two rings for the treatment of deformity.  
Radiolucent centre allows X-ray targeting  
of axis.

**20**  
Threaded Bars with nuts and  
washers (set of 3)

10010018 Length 80 mm  
10010019 Length 120 mm  
10010020 Length 160 mm  
10010021 Length 200 mm

## 组件/替换件

**14**  
10010010 辅助持钉装置 (棒, 夹块, 无  
菌)

**15**  
35300014 圆环连接夹块

**16**  
35300007 单个螺钉夹块

**17**  
35300009 铰链夹块  
以合适的角度进行畸形矫正, 也可以作为夹块  
固定螺钉和针

**18**  
35300010 延长板  
可以将各种组件连接到圆环上 (如: 铰链夹块、  
成角度的克氏针)

**19**  
35300011 转轴移位  
用于畸形治疗, 使得在两个环之间转换或者旋  
转, 可透光的中间部分可使X光瞄准中间轴

**20**  
带螺母和垫圈的螺纹杆 (3套)

10010018 长度 80mm  
10010019 长度 120mm  
10010020 长度 160mm  
10010021 长度 200mm



14



15



21



22



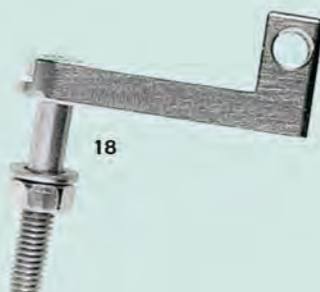
16



17



23



18



19



20



25



24

## COMPONENTS/ REPLACEMENTS

**21**  
20030001 Counter Nut  
Used for better control of lengthening or  
as part of a motor for angular deformity  
correction.

**22**  
Compression-Distractor Clicker Units  
20030010 Standard Extends to 4 cm.  
20030020 Long Extends to 8 cm.

**23**  
10010022 Bolts with nuts and washers  
(set of 3) Length 60 mm.

**24**  
35300013 Reduction Unit  
3 units are required to connect 2 rings.

**25**  
Hybrid Fixator Assembly Kits  
20032001 Standard  
Consisting of:  
1x20010020 D.A.F. Standard Central Body  
1x20010050 Compression-Distractor Unit  
Standard, extends to 4 cm  
1x20010001 D.A.F. Straight Clamp  
1x20010006 Hybrid Coupling with Ball-Joint.

20032002 Short  
Consisting of:  
1x20010040 D.A.F. Short Central Body  
1x20010070 Compression-Distractor Unit  
Short, extends to 2.75 cm  
1x20010001 D.A.F. Straight Clamp  
1x20010006 Hybrid Coupling with Ball-Joint.

## 组件/替换件

**21**  
20030001 埋头螺母  
用于更好的延长控制或作为一个电机的零件用于  
有角度的畸形矫正

**22**  
调节装置  
20030010 标准形 可延伸4厘米  
20030020 长型 可延伸8厘米

**23**  
10010022 带垫圈和螺母的螺栓 (3套)  
长度60毫米

**24**  
35300013 复位装置  
连接2个连接环需要3个复位装置

**25**  
混合装配支架  
20032001 标准型  
构成: 1x20010020 D.A.F.标准中间体  
1x20010050 调节装置标准型, 可  
延伸 4cm  
1x20010001 D.A.F.直型夹块  
1x20010006 带球关节组合连接夹块

20032002 短型  
构成: 1x20010040 D.A.F.短型中间体  
1x20010070 调节装置短型可延伸  
2.75 cm  
1x20010001 D.A.F.直型夹块  
1x20010006 带球关节混合连接夹块

## 2. RING FIXATOR KITS

**1**  
**81570000 Standard Trauma Kit**  
For all normal trauma indications.

## 2. 圆环支架装置

**1**  
**81570000 标准创伤组件**  
用于所有普通创伤适应症

Code Number	Product Name	Quantity
10011002	Wire Tensioner	1
10011001	Wire Guide	1
10114000	Cortical Screw, shaft Ø 6 mm, thread Ø 6-5 mm, 130/40 mm	6
10165000	Cortical Screw, shaft Ø 6 mm, thread Ø 6-5 mm, 150/40 mm	6
10021004	Drill Bit Kit Ø 4.8 mm, length 240 mm	1
10019003	Allen Wrench 6 mm	1
10011080	Screw Guide, length 80 mm	3
10011100	Screw Guide, length 100 mm	3
10014080	Drill Guide Ø 4.8 mm, length 80 mm	1
10011003	Wire Cutter	1
35300001	Two-Hole X-Wire Securing Pin	2
35300008	Three-Hole Wire Clamp Slider Unit	3
35300014	Clamp	1
35300010	Extension Plate	2
10024010	X-Wire with lateral olive, length 310 mm	4
10024011	X-Wire with lateral olive, length 350 mm	4
10024012	X-Wire with lateral olive, length 400 mm	4
10025010	X-Wire with central olive, length 400 mm	4
10025011	X-Wire with central olive, length 450 mm	4
10024003	X-Wire without olive, length 400 mm	4
10024004	X-Wire without olive, length 450 mm	4
35000125	2/3 Ring, Inner Ø 125 mm	2
35000150	2/3 Ring, Inner Ø 150 mm	2
35000175	2/3 Ring, Inner Ø 175 mm	2
35000190	2/3 Ring, Inner Ø 190 mm	2
35000220	2/3 Ring, Inner Ø 220 mm	2
35100125	1/3 Ring, Inner Ø 125 mm	2
35100150	1/3 Ring, Inner Ø 150 mm	2
35100175	1/3 Ring, Inner Ø 175 mm	2
35100190	1/3 Ring, Inner Ø 190 mm	2
35100220	1/3 Ring, Inner Ø 220 mm	2
35100001	Ring Locking Screw	4
35300009	Hinge Clamp	2
10025021	Speed Wrench	1
10025020	Open End Wrench	2
35300007	Single Screw Clamp	2
35300013	Reduction Unit	3
10018001	Universal Allen Wrench	1

编 码	产品名称	数 量
10011002	克氏针张紧钳	1
10011001	克氏针导向器	1
10114000	皮质钉, 杆6mm, 螺纹5-6mm, 长130/40mm	6
10165000	皮质钉, 杆6mm, 螺纹5-6mm, 长150/40mm	6
10021004	钻头装置, Ø4.8mm, 长240mm	1
10019003	6毫米扳手	1
10011080	螺钉导向器, 长80mm	3
10011100	螺钉导向器, 长100mm	3
10014080	钻头导向器, Ø4.8mm, 长80mm	1
10011003	剪针钳	1
35300001	2孔克氏针固定销	2
35300008	3孔克氏针滑动夹块	3
35300014	谢菲尔德夹块	1
35300010	张紧板	2
10024010	尾部带橄榄球的克氏针, 长310mm	4
10024011	尾部带橄榄球的克氏针, 长350mm	4
10024012	尾部带橄榄球的克氏针, 长400mm	4
10025010	中间带橄榄球的克氏针, 长400mm	4
10025011	中间带橄榄球的克氏针, 长450mm	4
10024003	不带橄榄球的克氏针, 长400mm	4
10024004	不带橄榄球的克氏针, 长450mm	4
35000125	2/3环 内径125mm	2
35000150	2/3环 内径150mm	2
35000175	2/3环 内径175mm	2
35000190	2/3环 内径190mm	2
35000220	2/3环 内径220mm	2
35100125	1/3环 内径125mm	2
35100150	1/3环 内径150mm	2
35100175	1/3环 内径175mm	2
35100190	1/3环 内径190mm	2
35100220	1/3环 内径220mm	2
35100001	圆环固定螺钉	4
35300009	铰链夹块	2
10025021	快速扳手	1
10025020	开口扳手	2
35300007	单个螺钉夹块	2
35300013	复位装置	3
10018001	通用扳手	1

Code Number	Product Name	Quantity
20030010	Standard Compression-Distractor Clicker Unit	3
20030020	Long Compression-Distractor Clicker Unit	3
10114000	Cortical Screw, shaft Ø 6 mm, thread Ø 6-5 mm, 130/40 mm	3
10165000	Cortical Screw, shaft Ø 6 mm, thread Ø 6-5 mm, 150/40 mm	3
35300008	Three-Hole Wire Clamp Slider Unit	3
35300001	Two-Hole X-Wire Securing Pin	2
35300014	Sheffield Clamp	1
35300010	Extension Plate	4
35100001	Ring Locking Screw	4
35300009	Hinge Clamp	4
35300011	Translation Rotation Hinge	3
35300007	Single Screw Clamp	4

Code Number	Product Name	Quantity
20030010	Standard Compression-Distractor Clicker Unit	3
20030020	Long Compression-Distractor Clicker Unit	3
10114000	Cortical Screw, shaft Ø 6 mm, thread Ø 6-5 mm, 130/40 mm	3
10165000	Cortical Screw, shaft Ø 6 mm, thread Ø 6-5 mm, 150/40 mm	3
35300001	Two-Hole X-Wire Securing Pin	2
35300008	Three-Hole Wire Clamp Slider Unit	2
35300014	Clamp	1
35300010	Extension Plate	2
35100001	Ring Locking Screw	2
35300009	Hinge Clamp	2
35300007	Single Screw Clamp	2

编 码	产品名称	数 量
20030010	标准带咔嚓声的调节装置	3
20030020	长的带咔嚓声的调节装置	3
10114000	皮质钉, 杆6mm, 螺纹5-6mm, 长130/40mm	3
10165000	皮质钉, 杆6mm, 螺纹5-6mm, 长150/40mm	3
35300008	3孔克氏针滑动夹块	3
35300001	2孔克氏针固定销	2
35300014	圆环连接夹块	1
35300010	延长板	4
35100001	圆环固定螺钉	4
35300009	铰链夹块	4
35300011	移位旋转轴	3
35300007	单个螺钉夹块	4

编 码	产品名称	数 量
20030010	标准带咔嚓声的调节装置	3
20030020	长的带咔嚓声的调节装置	3
10114000	皮质钉, 杆6mm, 螺纹5-6mm, 长130/40mm	3
10165000	皮质钉, 杆6mm, 螺纹5-6mm, 长150/40mm	3
35300001	2孔克氏针固定销	2
35300008	3孔克氏针滑动夹块	2
35300014	圆环连接夹块	1
35300010	延长板	2
35100001	圆环固定螺钉	2
35300009	铰链夹块	2
35300007	单个螺钉夹块	2

## RING FIXATOR KITS

**2**  
**81580000 Lengthening and Correction of Deformities Kit**  
Used with the Standard Trauma Kit for reconstruction indications.

**3**  
**81590000 Cross Joint and Foot Fixation Kit**  
Used with the Standard Trauma Kit and Lengthening and Correction of Deformities Kit for extended reconstruction indications, including cross joint and foot fixation.

## 圆环支架装置

**2**  
**81580000 延长和畸形矫正工具**  
和标准创伤工具一起使用, 用于肢体重建

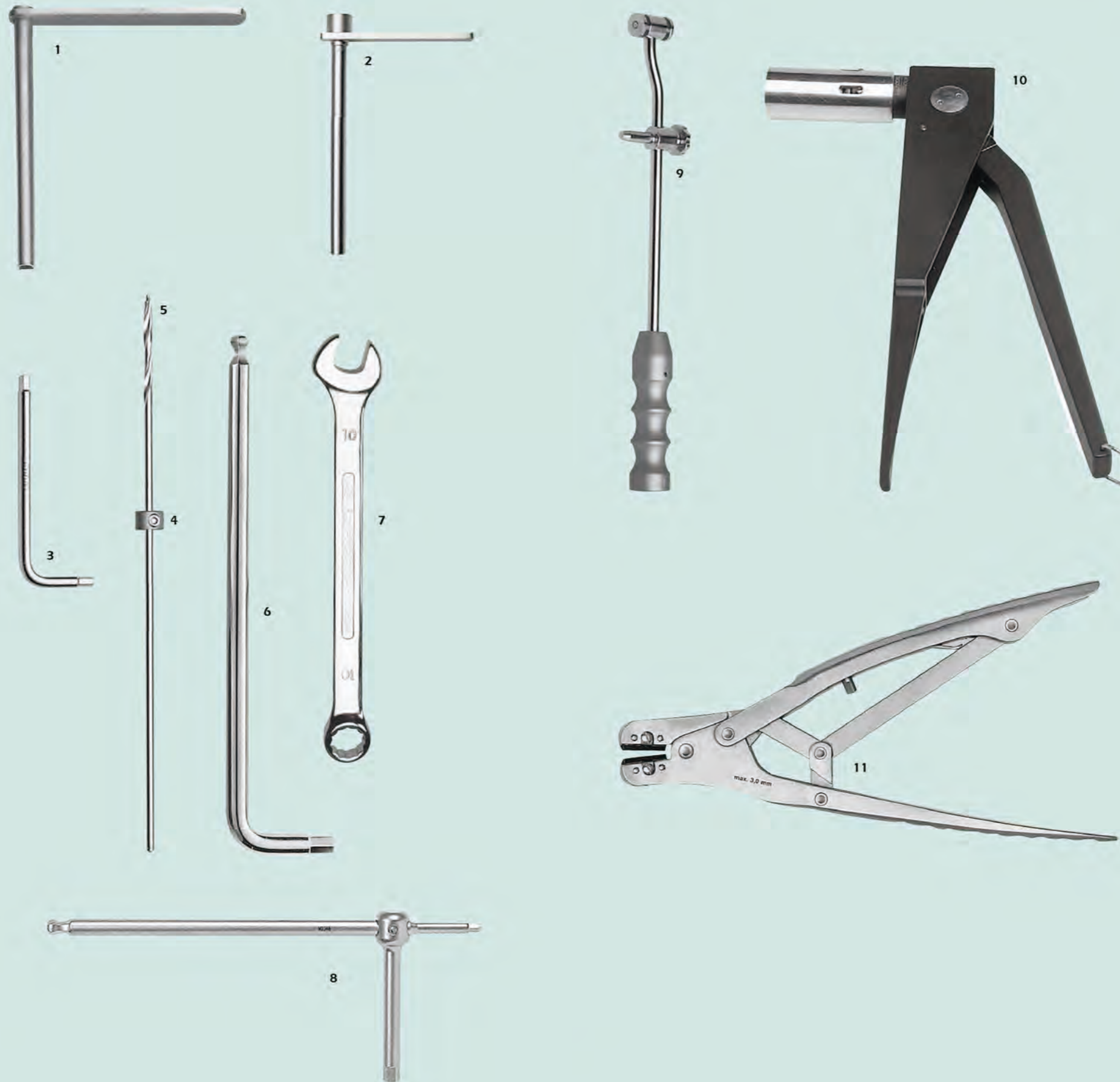
**3**  
**81590000 十字连接和底部支架**  
和1和2同时使用, 用于延长重建

### 3. INSTRUMENTATION

- 1**  
Screw Guides  
10011080 Length 80 mm  
10011100 Length 100 mm
- 2**  
10014080 Drill Guide Ø 4.8 mm  
Length 80 mm
- 3**  
10019001 Allen wrench 3mm
- 4**  
10020002 Drill Bit Stop Units Ø 4.8 mm
- 5**  
Drill Bits  
Ø 4.8 mm  
10021003 Length 180 mm  
10021004 Length 240 mm  
10021003, 10021004, Drill Bit Kits  
Ø 4.8 mm  
Consisting of: 1 Allen wrench 3mm,  
1 Drill Bit Stop Unit Ø4.8mm and  
1 Drill Bit (180mm in kit 10021003;  
240mm in kit 10021004).
- 6**  
Allen wrenches  
10019002 5 mm  
10019003 6 mm
- 7**  
10025020 Open end wrench 10 mm  
Includes a ring end and an open end for  
bolt tightening.
- 8**  
10018001 Universal Allen wrench

### 3. 器械

- 1**  
螺钉导向器  
10011080 长度 80mm  
10011100 长度 100mm
- 2**  
10014080 钻头导向器  
Ø4.8mm 长度 80mm
- 3**  
10019001 Ø3mm六角扳手
- 4**  
10020002 钻头调节装置, Ø4.8mm
- 5**  
钻头, Ø4.8mm  
10021003 长度 180mm  
10021004 长度 240mm  
10021003, 10021004 Ø4.8mm钻头装置  
组成: 1个Ø3mm六角扳手, 1个Ø4.8mm的钻  
头调节装置和1个钻头 (10021003长180mm,  
10021004长240mm)
- 6**  
六角扳手  
10019002 Ø5mm  
10019003 Ø6mm
- 7**  
10025020 开口扳手  
包括一个环尾和一个拧紧螺栓的开口
- 8**  
10018001 通用六角扳手



### INSTRUMENTATION

- 9**  
10011001 Wire Guide
- 10**  
10011002 Wire Tensioner
- 11**  
10011003 Wire Cutter

### 器械

- 9**  
10011001 克氏针导向器
- 10**  
10011002 克氏针张紧钳
- 11**  
10011003 钢丝钳

#### 4. STERILIZATION BOXES

1

##### 32001 Hybrid Fixation System

- 2x35000150 2/3 Ring, inner  $\Phi$ 150mm
- 2x35100150 1/3 Ring, inner  $\Phi$ 150mm
- 2x35000190 2/3 Ring, inner  $\Phi$ 190mm
- 2x35100190 1/3 Ring, inner  $\Phi$ 190mm  
or  
RadioLucent Rings
- 8x35100001 Ring Locking Screw
- 8x35300001 Two-Hole X-Wire Securing Pin
- 8x35300008 Three-Hole Wire Clamp  
Slider Unit
- 1x10011001 Wire Guide
- 1x10011002 Wire Tensioner
- 1x20032001 Hybrid Fixator Standard  
Assembly Kit
- 1x10011003 Wire Cutter
- 8x10010014 Supplementary Screw  
Holder Clamp
- 2x10019003 Allen Wrench 6mm
- 2x10019002 Allen Wrench 5mm
- 2x10019001 Allen Wrench 3mm
- 2x35300002 Independent Wire Clamp
- 3x10010015 Post, length 50mm
- 3x10010016 Post, length 100mm
- 3x10010017 Post, length 150mm
- 8x10024012 X-Wire with lateral olive  
 $\Phi$ 2mm, length 400mm
- 4x10025010 X-Wire with central olive  
 $\Phi$ 2mm, length 400mm
- 4x10025011 X-Wire with central olive  
 $\Phi$ 2mm, length 450mm
- 4x10024003 X-Wire without olive  
 $\Phi$ 2mm, length 400mm
- 4x10024004 X-Wire without olive  
 $\Phi$ 2mm, length 450mm



#### 4. 消毒盒

1

##### 32001 组合支架系统

- 2 x 35000150 2/3环 内径150mm
- 2 x 35100150 1/3环 内径150mm
- 2 x 35000190 2/3环 内径190mm
- 2 x 35100190 1/3环 内径190mm  
或可透视环
- 8 x 35100001 圆环锁定螺钉
- 8 x 35300001 2孔克氏针固定销
- 8 x 35300008 3孔克氏针滑块夹块
- 1 x 10011001 克氏针导向器
- 1 x 10011002 克氏针张紧钳
- 1 x 20032001 组合支架标准装配组件
- 1 x 10011003 钢丝钳
- 8 x 10010014 辅助螺钉夹块
- 2 x 10019003  $\Phi$ 6mm六角扳手
- 2 x 10019002  $\Phi$ 5mm六角扳手
- 2 x 10019001  $\Phi$ 3mm六角扳手
- 2 x 35300002 独立针夹块
- 3 x 10010015 螺栓, 长度 50mm
- 3 x 10010016 螺栓, 长度 100mm
- 3 x 10010017 螺栓, 长度 150mm
- 8 x 10024012 尾部带橄榄球的克氏针  
 $\Phi$ 2mm, 长度 400mm
- 4 x 10025010 中间带橄榄球的克氏针  
 $\Phi$ 2mm, 长度 400mm
- 4 x 10025011 中间带橄榄球的克氏针  
 $\Phi$ 2mm, 长度 450mm
- 4 x 10024003 不带橄榄球的克氏针  
 $\Phi$ 2mm, 长度 400mm
- 4 x 10024004 不带橄榄球的克氏针  
 $\Phi$ 2mm, 长度 450mm



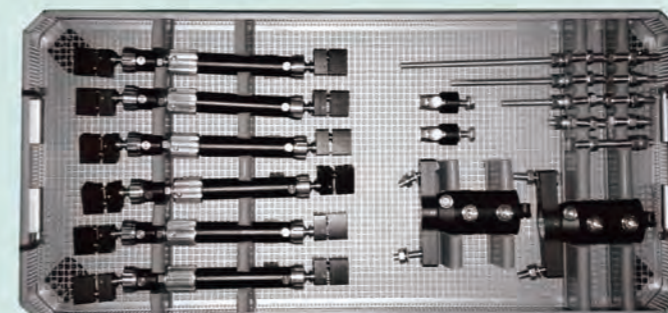
1

#### STERILIZATION BOXES

2

##### 32002 Hybrid Fixation System

- 2x35000220 2/3 Ring, inner  $\Phi$ 220mm
- 2x35100220 1/3 Ring, inner  $\Phi$ 220mm
- 2x35000175 2/3 Ring, inner  $\Phi$ 175mm
- 2x35100175 1/3 Ring, inner  $\Phi$ 175mm  
or  
RadioLucent Rings
- 2x35300014 Clamp
- 2x35300007 Single Screw Clamp
- 3x10011080 Screw Guide, length 80mm
- 3x10011100 Screw Guide, length 100mm
- 1x10014080 Drill Guide  $\Phi$ 4.8mm,  
length 80mm
- 1x10014060 Drill Guide  $\Phi$ 4.8mm,  
length 60mm
- 1x10010022 Bolts 60mm (set of 3)
- 1x10010018 Threaded Bars,  
length 80mm (set of 3)
- 1x10010019 Threaded Bars,  
length 120mm (set of 3)
- 1x10010020 Threaded Bars,  
length 160mm (set of 3)
- 1x10010021 Threaded Bars,  
length 200mm (set of 3)
- 1x10011002 Wire Tensioner
- 8x35100001 Ring Locking Screw
- 8x35300001 Two-Hole X-Wire Securing Pin
- 1x20032002 Hybrid Fixator Short  
Assembly Kit
- 3x35300013 Reduction Unit
- 8x35300008 Three-Hole Wire Clamp  
Slider Unit

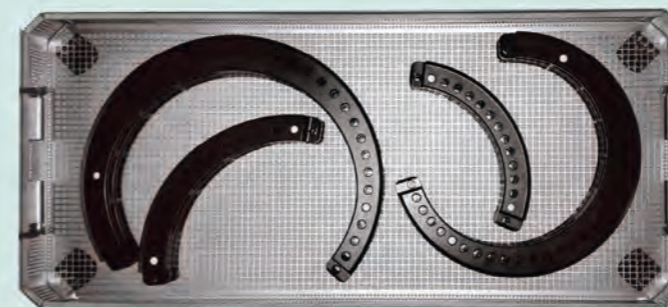


#### 消毒盒

2

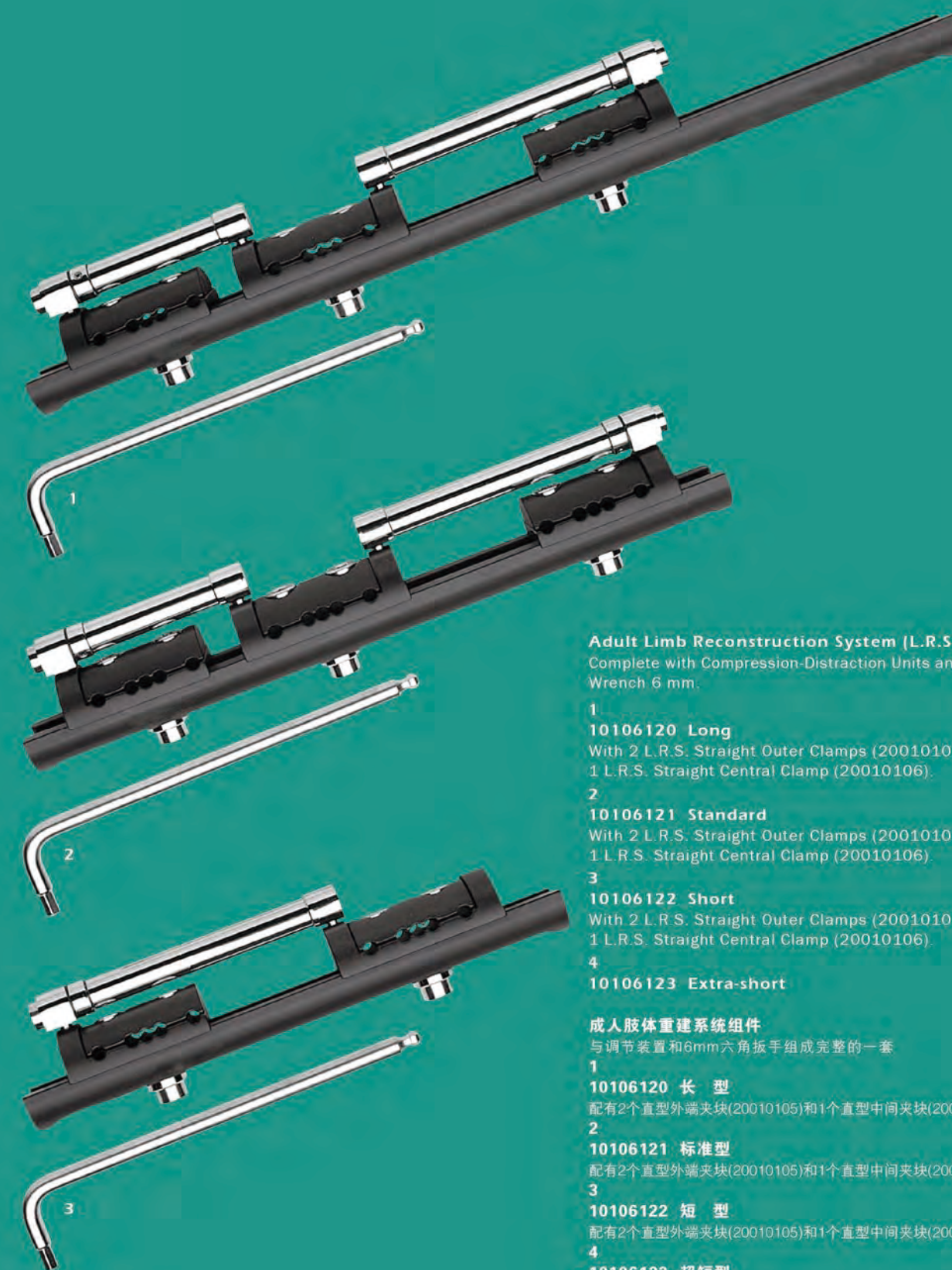
##### 32002 组合支架系统

- 2 x 35000220 2/3环 内径 220mm
- 2 x 35100220 1/3环 内径 220mm
- 2 x 35000175 2/3环 内径 175mm
- 2 x 35100175 1/3环 内径 175mm  
或者可透视环
- 2 x 35300014 圆环连接夹块
- 2 x 35300007 单个螺钉夹块
- 3 x 10011080 螺钉导向器, 长度 80mm
- 3 x 10011100 螺钉导向器, 长度 100mm
- 1 x 10014080 钻头导向器,  $\Phi$ 4.8mm 长度  
80mm
- 1 x 10014060 钻头导向器,  $\Phi$ 4.8mm 长度  
60mm
- 1 x 10010022 螺栓 60mm (3套)
- 1 x 10010018 螺纹棒, 长度 80mm, (3套)
- 1 x 10010019 螺纹棒, 长度 120mm (3套)
- 1 x 10010020 螺纹棒, 长度 160mm (3套)
- 1 x 10010021 螺纹棒, 长度 200mm (3套)
- 1 x 10011002 克氏针张紧钳
- 8 x 35100001 圆环锁定螺钉
- 8 x 35300001 2孔克氏针固定销
- 1 x 20032002 组合短支架组件
- 3 x 35300013 复位装置
- 8 x 35300008 3孔克氏针滑动夹块



2

## G. ADULT LIMB RECONSTRUCTION SYSTEM G. 肢体重建系统(成人)



**Adult Limb Reconstruction System (L.R.S.) Kits**  
Complete with Compression-Distraction Units and Allen Wrench 6 mm.

**1**  
**10106120 Long**  
With 2 L.R.S. Straight Outer Clamps (20010105) and 1 L.R.S. Straight Central Clamp (20010106).

**2**  
**10106121 Standard**  
With 2 L.R.S. Straight Outer Clamps (20010105) and 1 L.R.S. Straight Central Clamp (20010106).

**3**  
**10106122 Short**  
With 2 L.R.S. Straight Outer Clamps (20010105) and 1 L.R.S. Straight Central Clamp (20010106).

**4**  
**10106123 Extra-short**

**成人肢体重建系统组件**  
与调节装置和6mm六角扳手组成完整的一套

**1**  
**10106120 长型**  
配有2个直型外端夹块(20010105)和1个直型中间夹块(20010106)

**2**  
**10106121 标准型**  
配有2个直型外端夹块(20010105)和1个直型中间夹块(20010106)

**3**  
**10106122 短型**  
配有2个直型外端夹块(20010105)和1个直型中间夹块(20010106)

**4**  
**10106123 超短型**

## 1. COMPONENTS/ REPLACEMENTS

- 1**  
**L.R.S. Rails**  
20010101 Long  
Length 40 cm.  
20010102 Standard  
Length 30 cm.  
20010103 Short  
Length 23 cm.  
20010104 Extra-Short  
Length 12 cm.
- 2**  
20010105 L.R.S. Straight Outer Clamp
- 3**  
20010106 L.R.S. Straight Central Clamp
- 4**  
20010107 L.R.S. T-Clamp
- 5**  
20010108 L.R.S. Ball-Joint Coupling  
Enables an appropriate Ball-Jointed Module to be attached to the rail.
- 6**  
20010109 L.R.S. Micrometric Swivelling Clamp  
For gradual correction of angular deformity in the frontal plane.
- 7**  
20010110 L.R.S. Multiplanar Clamp  
For gradual angular and translational correction of diaphyseal deformities in any desired plane.

## 1. 组件/替换件

- 1**  
**肢体重建系统导轨**  
20010101 长型  
长度 40cm  
20010102 标准型  
长度 30cm  
20010103 短型  
长度 23cm  
20010104 超短型  
长度 12cm
- 2**  
20010105 直型外端夹块
- 3**  
20010106 直型中间夹块
- 4**  
20010107 T型夹块
- 5**  
20010108 球关节连接夹块  
可使一个合适的球关节组件连接至导轨
- 6**  
20010109 微调转动夹块  
用于正面角度畸形的逐步矫正
- 7**  
20010110 多维夹块  
用于在任何平面上骨干畸形逐步矫正和移动矫正



2



3



4



5



6



7



8



9



10



11



12



13



14



15

## COMPONENTS/ REPLACEMENTS

- 8**  
20010111 L.R.S. OF-Garches T-Clamp  
For upper metaphyseal osteotomies and valgus or varus correction.
- 9**  
20010112 L.R.S. Hinged Rail Coupling  
For joining two L.R.S. rails (Standard, Long or Short).
- 10**  
20010113 L.R.S. Sandwich Clamp with Compression-Distraction Unit Attachments  
Used to raise the plane of the screws above the rail or to place them in two planes.
- 11**  
20010114 L.R.S. Dyna-Ring with Compression-Distraction Unit Attachment  
When attached to the rail, it permits earlier dynamization without the risk of bone collapse.
- 12**  
20031005 Clamp Cover
- 13**  
20010025 Clamp Screw  
For Micrometric Swivelling Clamp and Multiplanar Clamp.
- 14**  
20031002 OF-Garches T-Clamp Axis Locking Nut
- 15**  
20031004 Clamp Screw

## 组件/替换件

- 8**  
20010111 OF-Garches T型夹块  
用于上部干骺端骨切开手术和外翻足或内翻矫正
- 9**  
20010112 铰链导轨连接夹块  
用来连接2个导轨
- 10**  
20010113 带调节装置的中间夹块  
用来提升导轨上螺钉的平面或将它们放置在不同的平面
- 11**  
20010114 带调节装置连接器的动态环  
当连接到导轨时，它允许无骨裂风险的早期动力调节
- 12**  
20031005 夹块盖板
- 13**  
20010125 夹块螺钉  
用于微调转动夹块和多维夹块
- 14**  
20031002 OF-Garches T型夹块轴锁定螺母
- 15**  
20031004 夹块螺钉

## COMPONENTS/ REPLACEMENTS

- 16**  
20010023 Bush
- 17**  
20010024 Cam
- 18**  
**Compression-Distraction Units**  
20010050 Standard  
Extends to 4 cm.  
20010060 Long  
Extends to 8 cm.
- 19**  
**Compression-Distraction Clicker Units**  
20030010 Standard  
Extends to 4 cm.  
20030020 Long  
Extends to 8 cm.
- 20**  
**OF-Garches Compression-Distraction Units**  
20040010 Standard  
Extends to 5.5 cm.  
20040020 Long  
Extends to 10 cm.

## 组件/替换件

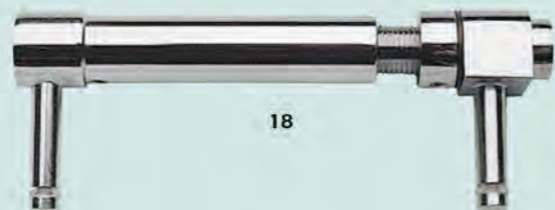
- 16**  
20010023 钢碗
- 17**  
20010024 偏心轴
- 18**  
**调节装置**  
20010050 标准型  
可延伸4厘米  
20010060 长型  
可延伸8厘米
- 19**  
**有咔嚓声的调节装置**  
20030010 标准型  
可延伸4cm  
20030020 长型  
可延伸8cm
- 20**  
**OF-Garches 调节装置**  
20040010 标准型  
可延伸5.5cm  
20040020 长型  
可延伸10cm



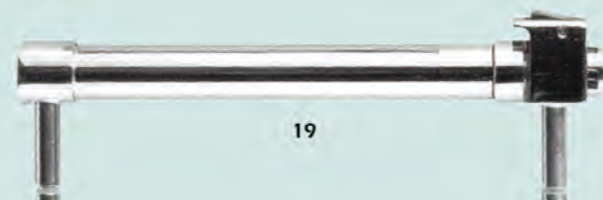
16



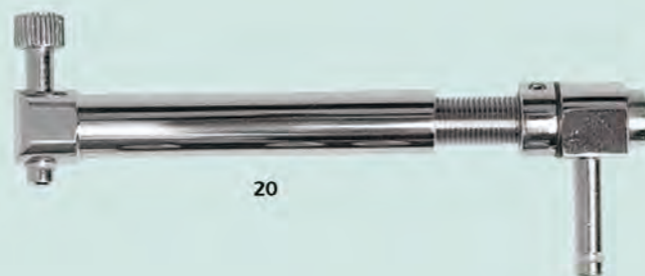
17



18



19



20



1



2



3



4



5



6



7



8

## 2. TEMPLATES

- 1**  
11240000 L.R.S. Straight Clamp  
Template  
For Straight Outer and Straight Central  
Clamps.
- 2**  
11240001 L.R.S. T-Clamp Template
- 3**  
11240002 L.R.S. Ball-Joint Coupling  
Template
- 4**  
11240003 L.R.S. Micrometric Swivelling  
Clamp Template
- 5**  
11240004 L.R.S. Template Locking  
Screw
- 6**  
11240005 L.R.S. Multiplanar Clamp  
Template
- 7**  
11240006 L.R.S. OF-Garches T-Clamp  
Template
- 8**  
11240007 L.R.S. Sandwich Clamp  
Template

## 2. 模板

- 1**  
11240000 L.R.S. 直型夹块模板  
用于直型外部侧夹块和中间夹块
- 2**  
11240001 L.R.S. T型夹块模板
- 3**  
11240002 L.R.S. 带球关节连接夹块  
的模板
- 4**  
11240003 L.R.S. 微调转动夹块模板
- 5**  
11240004 L.R.S. 锁定螺母模板
- 6**  
11240005 L.R.S. 多维夹块模板
- 7**  
11240006 L.R.S. OF-Garches T型  
夹块模板
- 8**  
11240007 L.R.S. 中间夹块模板

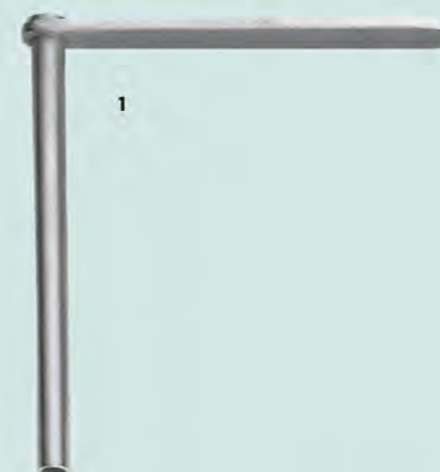


### 3. TEMPLATES FOR ACUTE CORRECTION

- 1  
11250000 L.R.S. Rotational Template  
Radius from center of curved slot 60 mm.
- 2  
L.R.S. Rotational Template Arcs  
11250001 Radius 100 mm  
11250002 Radius 130 mm
- 3  
11250003 L.R.S. Acute Correction  
Straight Clamp Template
- 4  
11250004 L.R.S. Acute Correction  
T-Clamp Template
- 5  
11250005 L.R.S. Acute Correction  
OF-Garches Template
- 6  
11250006 L.R.S. Acute Rotational  
Template Locking Screw
- 7  
11250007 L.R.S. Acute Correction  
Template Locking Screw

### 3. 矫正模板

- 1  
11250000 L.R.S. 转动模板  
弧形半径60mm
- 2  
L.R.S. 圆弧转轴模板  
11250001 半径100mm  
11250002 半径130mm
- 3  
11250003 L.R.S. 急性矫正直型夹块  
模板
- 4  
11250004 L.R.S. 急性矫正T型夹块  
模板
- 5  
11250005 L.R.S. 急性矫正OF-Garches  
模板
- 6  
11250006 L.R.S. 急性转动模板锁定  
螺钉
- 7  
11250007 L.R.S. 急性矫正模板锁定  
螺钉



### 4. INSTRUMENTATION

- 1  
Screw Guides  
10011032 Length 32 mm  
10011045 Length 45 mm  
10011060 Length 60 mm  
10011080 Length 80 mm  
10011100 Length 100 mm  
10011160 Length 160 mm  
Screw Guide length depends on soft tissue dimensions.
- 2  
Ruland Pilot wire Guides  $\varnothing$  2.0 mm  
10012075 Length 75 mm  
10012115 Length 115 mm  
For insertion of X-Wires.
- 3  
Drill Guides  
 $\varnothing$  2.9 mm  
10013010 Length 20 mm  
 $\varnothing$  3.2 mm  
10013020 Length 20 mm  
10013040 Length 40 mm  
10013080 Length 80 mm  
 $\varnothing$  4.8 mm  
10014040 Length 40 mm  
10014060 Length 60 mm  
10014080 Length 80 mm  
10014140 Length 140 mm  
Drill Guide size depends on Drill Bit diameter and Screw Guide length.
- 4  
10019001 Allen wrench 3 mm
- 5  
10019003 Allen wrench 6 mm

### 4. 器械

- 1  
螺钉导向器  
10011032 长度 32mm  
10011045 长度 45mm  
10011060 长度 60mm  
10011080 长度 80mm  
10011100 长度 100mm  
10011160 长度 160mm  
螺钉导向器的长度取决于软组织的尺寸
- 2  
克氏针导向器,  $\varnothing$ 2mm  
10012075 长度 75mm  
10012115 长度 115mm  
用于植入克氏针
- 3  
钻头导向器,  $\varnothing$ 2.9mm  
10013010 长度 20mm  
 $\varnothing$ 3.2mm  
10013020 长度 20mm  
10013040 长度 40mm  
10013080 长度 80mm  
 $\varnothing$ 4.8mm  
10014040 长度 40mm  
10014060 长度 60mm  
10014080 长度 80mm  
10014140 长度 140mm  
钻头导向器的尺寸取决于钻头直径和螺钉导向器的长度
- 4  
10019001  $\varnothing$ 3mm六角扳手
- 5  
10019003  $\varnothing$ 6mm六角扳手

## INSTRUMENTATION

6

### Drill Bit Stop Units

- 10020004  $\Phi$ 2.9 mm
- 10020001  $\Phi$ 3.2 mm
- 10020002  $\Phi$ 4.8 mm

7

### Drill Bits $\Phi$ 2.9 mm

- 10021006 Length 140 mm
- For  $\Phi$  3.5-3.2 mm cortical screws.

#### 10021006 Drill Bit Kit $\Phi$ 2.9 mm

Consisting of: 1 Allen wrench 3mm,  
1 Drill Bit Stop Unit  $\Phi$ 2.9mm and  
1 Drill Bit 140mm.

### $\Phi$ 3.2 mm

- 10021001 Length 140 mm
- 10021002 Length 200 mm

For  $\Phi$  6-5mm cancellous screws and  
 $\Phi$  4.5-3.5mm cortical screws.

#### 10021001, 10021002, Drill Bit Kits

##### $\Phi$ 3.2 mm

Consisting of: 1 Allen wrench 3mm,  
1 Drill Bit Stop Unit  $\Phi$ 3.2mm and  
1 Drill Bit (140mm in kit 10021001  
and 200mm in kit 10021002).

### $\Phi$ 4.8 mm

- 10021003 Length 180 mm
- 10021004 Length 240 mm
- 10021005 Length 280 mm

For  $\Phi$  6-5mm cortical screws.

#### 10021003, 10021004, 10021005,

##### Drill Bit Kits $\Phi$ 4.8 mm

Consisting of: 1 Allen wrench 3mm,  
1 Drill Bit Stop Unit  $\Phi$ 4.8mm and  
1 Drill Bit (180mm in kit 10021003;  
240mm in kit 10021004 and 280mm  
in kit 10021005).

## 器械

6

### 钻头调节装置

- 10020004  $\Phi$ 2.9mm
- 10020001  $\Phi$ 3.2mm
- 10020002  $\Phi$ 4.8mm

7

### 钻头, $\Phi$ 2.9mm

- 10021006 长度 140mm
- 用于 $\Phi$ 3.2-3.5mm的皮质钉

#### 10021006 钻头装置, $\Phi$ 2.9mm

组成: 1个 $\Phi$ 3mm的六角扳手, 1个 $\Phi$ 2.9mm的  
钻头调节装置和1个长140mm的钻头

### 钻头, $\Phi$ 3.2mm

- 10021001 长度 140mm
- 10021002 长度 200mm

用于直径为 $\Phi$ 5-6mm的松质钉和直径为 $\Phi$ 3.5-  
4.5mm的皮质钉

#### 10021001, 10021002 钻头装置,

##### $\Phi$ 3.2mm

组成: 1个 $\Phi$ 3mm的六角扳手, 1个 $\Phi$ 3.2mm  
的钻头调节装置和1个钻头 ( 10021001长度 140  
mm, 10021002 长度 200mm )

### $\Phi$ 4.8mm

- 10021003 长度 180mm
- 10021004 长度 240mm

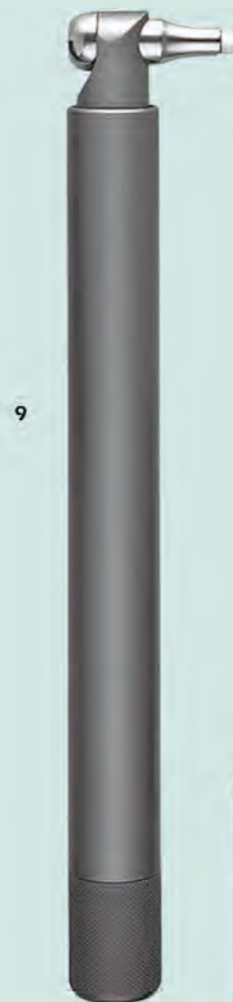
- 10021005 长度 280mm

用于 $\Phi$ 5-6mm的皮质钉

#### 10021003, 10021004, 10021005 钻头装置

##### $\Phi$ 4.8mm

组成: 1个 $\Phi$ 3mm的六角扳手, 1个 $\Phi$ 4.8mm  
的钻头调节装置和1个钻头 ( 10021003 长度  
180mm, 10021004 长度240mm, 10021005  
长度280mm )



## INSTRUMENTATION

8

### 10025001 T- wrench

Used to insert or remove bone screws.

9

### 10025002 Torque wrench 6 mm

ONLY used for locking the cams of the  
ball-joints: it should be rotated clockwise  
until a click is heard.

10

### 10015001 Hammer

### 10015002 Hammer Interchangeable Head

### 10015003 Hammer Locking Nut

11

### 10016001 Tapered Trocar

Used within a screw guide to locate an  
appropriate position on the cortex.

## 器械

8

### 10025001 T型扳手

用来植入可取出接骨螺钉

9

### 10025002 $\Phi$ 6mm 扭矩扳手

仅用来锁定球关节的偏心轴, 顺时针旋转, 直  
到听见咔嚓声

10

### 10015001 锤子

### 10015002 锤子可替换头部

### 10015003 锤子锁定螺母

11

### 10016001 锥形套管针

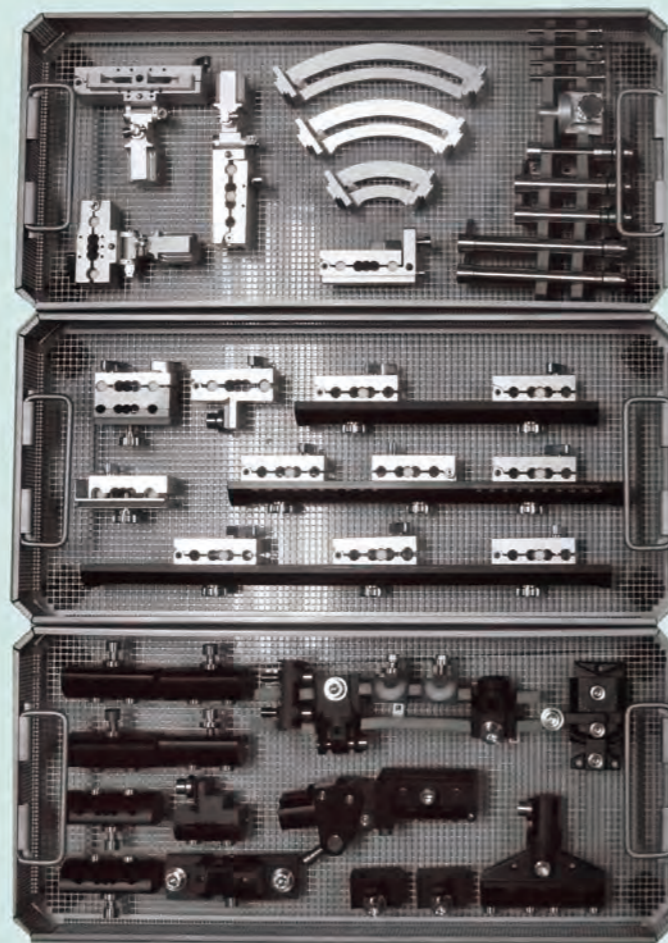
在螺钉导向器内, 用于在皮层上确定一个合适  
的位置

## 5. STERILIZATION BOXES

1

## 33001 Adult L.R.S. System

- 1x20010008 Torbay-Garches Clamp
- 1x20010109 L.R.S. Micrometric Swivelling Clamp
- 1x20010107 L.R.S. T-Clamp
- 2x20010114 L.R.S. Dyna-Ring with Compression-Distractor Unit Attachment
- 1x20010108 L.R.S. Ball-Joint Coupling
- 1x20010110 L.R.S. Multiplanar Clamp
- 1x20010112 L.R.S. Hinged Rail Coupling
- 1x20010001 Straight Clamp
- 1x20010002 T-Clamp
- 2x20010050 Compression-Distractor Unit Standard, extends to 4 cm
- 2x20010060 Compression-Distractor Unit Long, extends to 8 cm
- 1x20010070 Compression-Distractor Unit Short, extends to 2,75 cm
- 1x11240007 L.R.S. Sandwich Clamp Template
- 1x20010113 L.R.S. Sandwich Clamp with Compression-Distractor Unit Attachments
- 1x20010116 T-Garches Clamp Coupling
- 1x11250000 L.R.S. Rotational Template, radius 60 mm
- 1x11250005 L.R.S. Acute Correction OF-Garches Template
- 1x11250003 L.R.S. Acute Correction Straight Clamp Template
- 1x11250004 L.R.S. Acute Correction T-Clamp Template
- 1x11250001 L.R.S. Rotational Template Arc, radius 100 mm
- 1x11250002 L.R.S. Rotational Template Arc, radius 130 mm
- 4x20010106 L.R.S. Straight Central Clamp
- 2x20010105 L.R.S. Straight Outer Clamp
- 1x20010103 L.R.S. Short Rail, length 23 cm
- 1x20010102 L.R.S. Standard Rail, length 30 cm
- 1x20010101 L.R.S. Long Rail, length 40 cm
- 2x20010024 Cam
- 2x20010023 Bush
- 8x11240000 L.R.S. Straight Clamp Template
- 1x11240001 L.R.S. T-Clamp Template
- 1x11240005 L.R.S. Multiplanar Clamp Template
- 1x11240002 L.R.S. Ball-Joint Coupling Template
- 1x11240003 L.R.S. Micrometric Swivelling Clamp Template



1

## 5. 消毒盒

1

## 33001 成人肢体重建系统

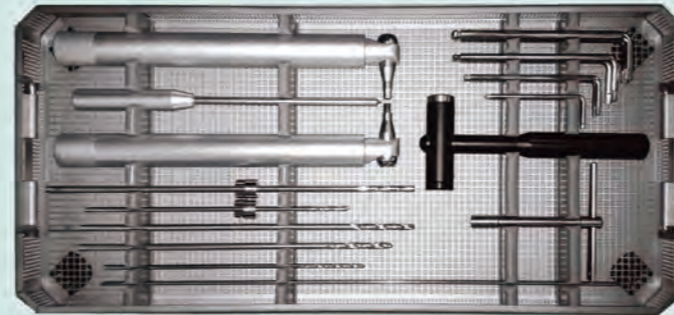
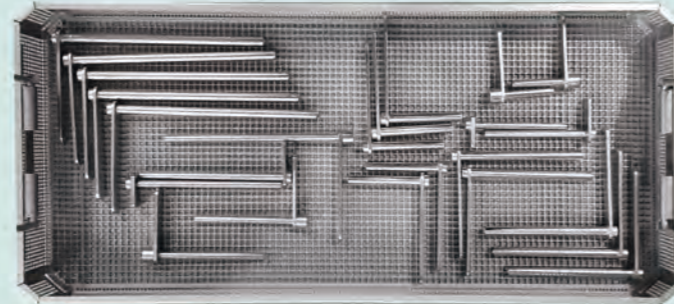
- 1 × 20010008 T-Garches夹块
- 1 × 20010109 肢体重建系统微调转动夹块
- 1 × 20010107 肢体重建系统 T型夹块
- 2 × 20010114 带调节装置连接器的动态环
- 1 × 20010108 肢体重建系统球关节连接器
- 1 × 20010110 肢体重建系统多面夹块
- 1 × 20010112 转轴杆连接器
- 1 × 20010001 直型夹块
- 1 × 20010002 T型夹块
- 2 × 20010050 标准调节装置, 可延伸4cm
- 2 × 20010060 长型调节装置, 可延伸8cm
- 1 × 20010070 短型调节装置, 可延伸2.75cm
- 1 × 11240007 肢体重建系统中间夹块模板
- 1 × 20010113 带调节装置连接器的中间夹块
- 1 × 20010116 OF-Garches 连接器的夹块
- 1 × 11250000 转动模块, 半径 60mm
- 1 × 11250005 急性矫正 OF-Garches 矫正模板
- 1 × 11250003 急性矫正直型夹块模板
- 1 × 11250004 急性矫正T型夹块模板
- 1 × 11250001 圆弧转轴模块, 半径 100mm
- 1 × 11250002 圆弧转轴模块, 半径 130mm
- 4 × 20010106 直型中间夹块
- 2 × 20010105 直型外端夹块
- 1 × 20010103 肢体重建系统短型杆, 长度 23cm
- 1 × 20010102 肢体重建系统标准杆, 长度 30cm
- 1 × 20010101 肢体重建系统长型杆, 长度 40cm
- 2 × 20010024 偏心轴
- 2 × 20010023 钢碗
- 8 × 11240000 L.R.S. 直型夹块模板
- 1 × 11240001 L.R.S. T型夹块模板
- 1 × 11240005 L.R.S. 多维夹块模板
- 1 × 11240002 球关节连接夹块模板
- 1 × 11240003 L.R.S. 微调转动夹块模板

## STERILIZATION BOXES

2

## 33002 L.R.S. Instrument System

- 2x10019001 Allen Wrench 3mm
- 2x10019003 Allen Wrench 6mm
- 1x10025002 Torque Wrench 6mm
- 2x10025001 T-Wrench
- 1x10016001 Tapered Trocar
- 1x10025012 Torque Wrench 5mm
- 2x10022002 Cannulated Drill Bit  
Φ3.2mm, length 200mm
- 2x10023003 Cannulated Drill Bit  
Φ4.8mm, length 280mm
- 2x10012075 Ruland Pilot Wire Guide  
Φ2mm, length 75mm
- 2x10012115 Ruland Pilot Wire Guide  
Φ2mm, length 115mm
- 2x10019002 Allen Wrench 5mm
- 2x10019006 Allen Wrench 4mm
- 1x10015001 Hammer
- 2x10014040 Drill Guide, Φ4.8mm,  
length 40mm
- 2x10014080 Drill Guide, Φ4.8mm,  
length 80mm
- 2x10013040 Drill Guide, Φ3.2mm,  
length 40 mm
- 2x10013080 Drill Guide, Φ3.2mm,  
length 80mm
- 2x10014140 Drill Guide, Φ4.8mm,  
length 140mm
- 5x10024003 X-Wire without olive  
Φ2mm, length 400mm
- 2x10021004 Drill Bit, Φ4.8mm,  
length 240mm
- 2x10021002 Drill Bit, Φ3.2mm,  
length 200 mm
- 2x10021005 Drill Bit, Φ4.8mm,  
length 280mm
- 2x10020002 Drill Bit Stop Unit,  
Φ4.8mm
- 2x10020001 Drill Bit Stop Unit,  
Φ3.2mm
- 10x10011060 Screw Guide,  
length 60mm
- 10x10011100 Screw Guide,  
length 100mm
- 10x10011160 Screw Guide,  
length 160mm



2

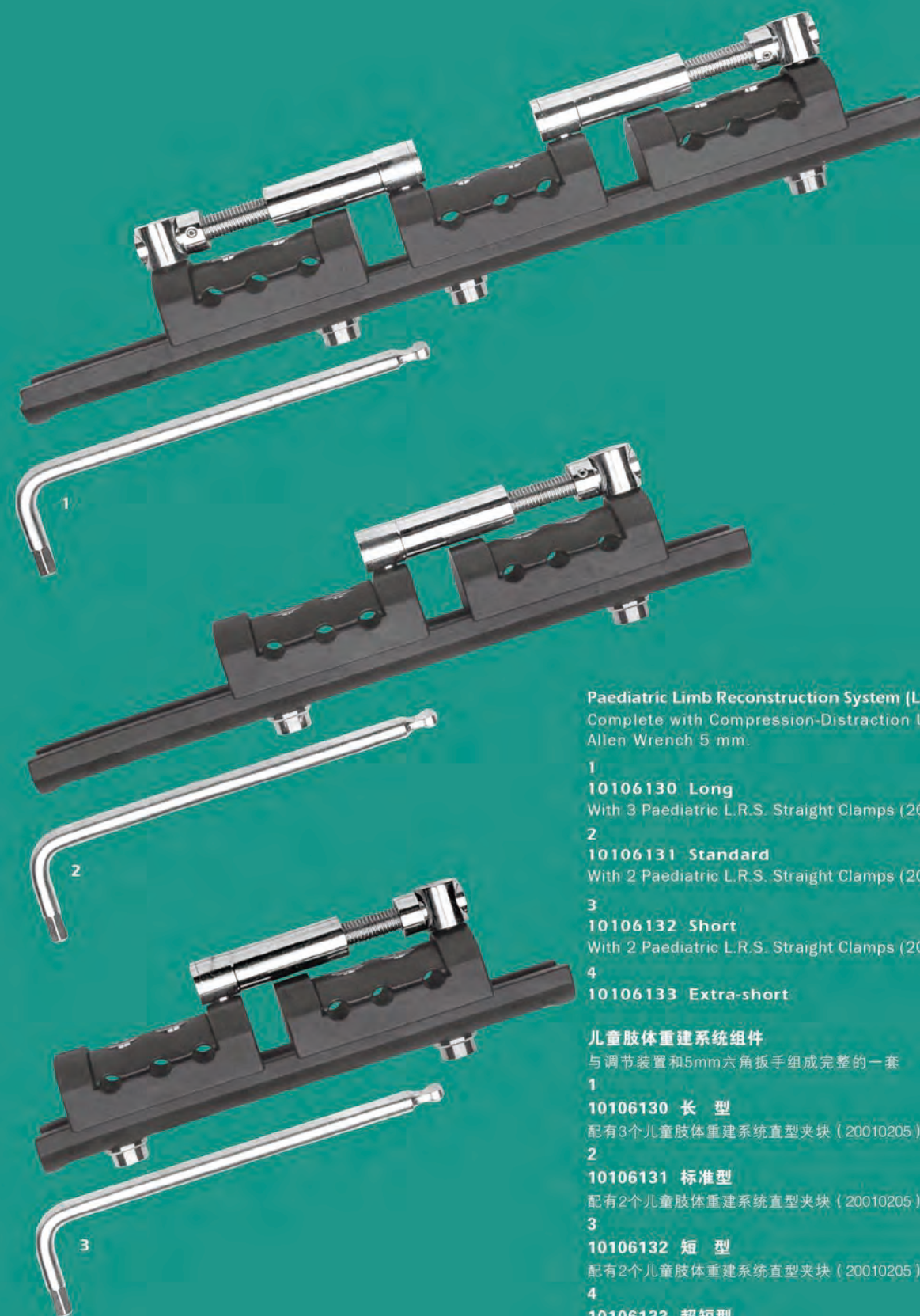
## 消毒盒

2

## 33002 肢体重建系统

- 2x 10019001 Φ3mm六角扳手
- 2x 10019003 Φ6mm六角扳手
- 1x 10025002 Φ6mm扭矩扳手
- 2x 10025001 T型扳手
- 1x 10016001 锥形套管针
- 1x 10025012 Φ5mm扭矩扳手
- 2x 10022002 空心钻头, Φ3.2mm,  
长度 200mm
- 2x 10023003 空心钻头, Φ4.8mm,  
长度 280mm
- 2x 10012075 克氏针导向器, Φ2mm,  
长度 75mm
- 2x 10012115 克氏针导向器, Φ2mm,  
长度 115mm
- 2x 10019002 Φ5mm六角扳手
- 2x 10019006 Φ4mm六角扳手
- 1x 10015001 锤子
- 2x 10014040 钻头导向器, Φ4.8mm,  
长度 40mm
- 2x 10014080 钻头导向器, Φ4.8mm,  
长度 80mm
- 2x 10013040 钻头导向器, Φ3.2mm,  
长度 40mm
- 2x 10013080 钻头导向器, Φ3.2mm,  
长度 80mm
- 2x 10014140 钻头导向器, Φ4.8mm,  
长度 140mm
- 5x 10024003 不带橄榄球的克氏针,  
长度 400mm
- 2x 10021004 钻头, Φ4.8mm, 长度 240mm
- 2x 10021002 钻头, Φ3.2mm, 长度 200mm
- 2x 10021005 钻头, Φ4.8mm, 长度 280mm
- 2x 10020002 钻头调节装置, Φ4.8mm
- 2x 10020001 钻头调节装置, Φ3.2mm
- 10x 10011060 螺钉导向器, 长度 60mm
- 10x 10011100 螺钉导向器, 长度 100mm
- 10x 10011160 螺钉导向器, 长度 160mm

## H. PAEDIATRIC LIMB RECONSTRUCTION SYSTEM H. 肢体重建系统(儿童)



Paediatric Limb Reconstruction System (L.R.S.) Kits  
Complete with Compression-Distraction Units and  
Allen Wrench 5 mm.

- 1  
**10106130 Long**  
With 3 Paediatric L.R.S. Straight Clamps (20010205).
- 2  
**10106131 Standard**  
With 2 Paediatric L.R.S. Straight Clamps (20010205).
- 3  
**10106132 Short**  
With 2 Paediatric L.R.S. Straight Clamps (20010205).
- 4  
**10106133 Extra-short**

儿童肢体重建系统组件  
与调节装置和5mm六角扳手组成完整的一套

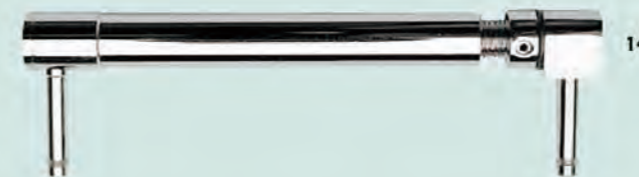
- 1  
**10106130 长型**  
配有3个儿童肢体重建系统直型夹块 (20010205)
- 2  
**10106131 标准型**  
配有2个儿童肢体重建系统直型夹块 (20010205)
- 3  
**10106132 短型**  
配有2个儿童肢体重建系统直型夹块 (20010205)
- 4  
**10106133 超短型**

## 1. COMPONENTS/ REPLACEMENTS

- 1**  
Paediatric L.R.S. Rails  
20010201 Long  
Length 25 cm.  
20010202 Standard  
Length 20 cm.  
20010203 Short  
Length 15 cm.  
20010204 Extra-Short  
Length 10cm.
- 2**  
20010205 Paediatric L.R.S. Straight  
Clamp
- 3**  
20010206 Paediatric L.R.S. T-Clamp
- 4**  
20010207 Paediatric L.R.S. Ball-Joint  
Coupling
- 5**  
20010208 Paediatric L.R.S. Swivelling  
Clamp
- 6**  
20010209 Paediatric L.R.S. OF-Garches  
T-Clamp Kit  
For upper metaphyseal osteotomies and  
valgus or varus correction.  
Consisting of: 1 Paediatric  
OF-Garches T-Clamp, 1 Compression-  
Distraction Unit, extends to 6.2 cm  
and 1 Dyna-Ring with Compression-  
Distraction Unit Attachment.

## 1. 组件/替换件

- 1**  
儿童肢体重建系统导轨  
20010201 长型  
长度 25cm  
20010202 标准型  
长度 20cm  
20010203 短型  
长度 15cm  
20010204 超短型  
长度 10cm
- 2**  
20010205 儿童肢体重建系统直型夹块
- 3**  
20010206 儿童肢体重建系统T型夹块
- 4**  
20010207 儿童肢体重建球关节连接夹块
- 5**  
20010208 儿童肢体重建系统转动夹块
- 6**  
20010209 儿童肢体重建系统OF-Garches  
T型夹块装置  
用于上部骨干切骨或外翻足（矫正）  
构成：1个儿童肢体重建系统OF-Garches T型夹  
块装置，1个调节装置可延伸6.2 cm，1个带调  
节套连接器的动态环



## COMPONENTS/ REPLACEMENTS

- 7**  
20010210 Paediatric L.R.S. Hinged Rail  
Coupling  
For joining two L.R.S. rails (Standard, Long  
or Short).
- 8**  
20010211 Paediatric L.R.S. Dyna-Ring  
with Compression-Distraction Unit  
Attachment  
When attached to the rail, it permits  
earlier dynamization without the risk  
of collapse.
- 9**  
20010212 Paediatric L.R.S. Locking  
Screw
- 10**  
20010213 Clamp Screw
- 11**  
20010214 Small Blue Bush
- 12**  
20010215 Cam
- 13**  
20010216 Small Clamp Cover
- 14**  
Compression-Distraction Units  
20011050 Extends to 5 cm  
20011051 Extends to 6.2 cm

## 组件/替换件

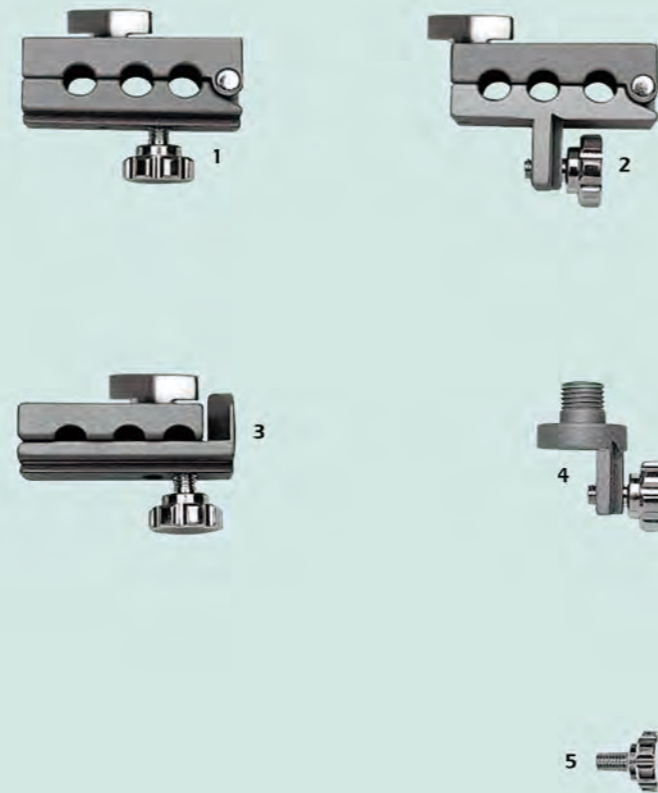
- 7**  
20010210 儿童肢体重建系统转轴杆连接  
器  
连接两根杆（标准、长的或短的）
- 8**  
20010211 儿童肢体重建系统带调节套连  
接器的动态环  
当它连接到杆上时，允许在没有塌陷风险情  
况下进行早期调节
- 9**  
20010212 儿童肢体重建系统锁定螺钉
- 10**  
20010213 夹块螺钉
- 11**  
20010214 小动力支架钢碗
- 12**  
20010215 偏心轴
- 13**  
20010216 小动力支架夹块盖板
- 14**  
调节装置  
20011050 可延伸5cm  
20011051 可延伸6.2cm

## 2. TEMPLATES

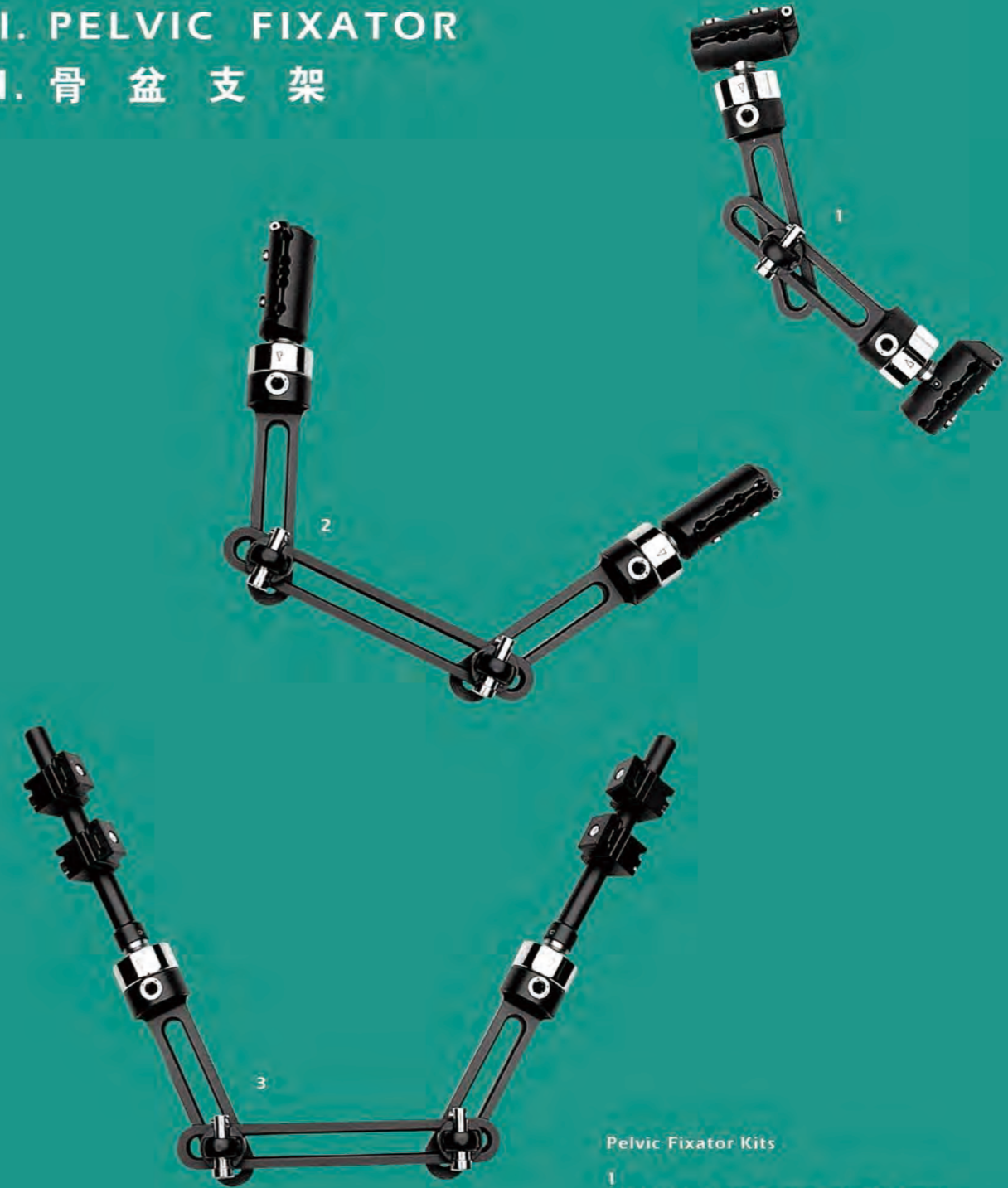
- 1  
11260000 Paediatric L.R.S. Straight  
Clamp Template
- 2  
11260001 Paediatric L.R.S. T-Clamp  
Template
- 3  
11260002 Paediatric L.R.S. Swivelling  
Clamp Template
- 4  
11260003 Paediatric L.R.S. Ball-Joint  
Coupling Template
- 5  
11260004 Paediatric L.R.S. Template  
Locking Screw

## 2. 模板

- 1  
11260000 直型夹块模板
- 2  
11260001 T型夹块模板
- 3  
11260002 微调转动夹块模板
- 4  
11260003 球关节连接夹块模板
- 5  
11260004 锁定螺母模板



## I. PELVIC FIXATOR I. 骨盆支架



### 骨盆支架装置

- 1  
**10206110 带T型夹块的短支架**  
组成: 2个主连接体, 1个骨盆支架连接装置, 2个偏心轴, 2个钢碗和  
2个T型夹块
- 2  
**10206120 带直型夹块的长支架**  
组成: 2个主连接体, 1个骨盆支架辅助连接环, 1个骨盆支架连接装置,  
2个偏心轴, 2个钢碗和2个直型夹块
- 3  
**10206130 带有单独放置螺钉的球关节组件**  
组成: 2个主连接体, 1个骨盆支架辅助连接环, 1个骨盆支架连接装置,  
2个偏心轴, 2个钢碗和2个用于单独放置螺钉的球关节组件

### Pelvic Fixator Kits

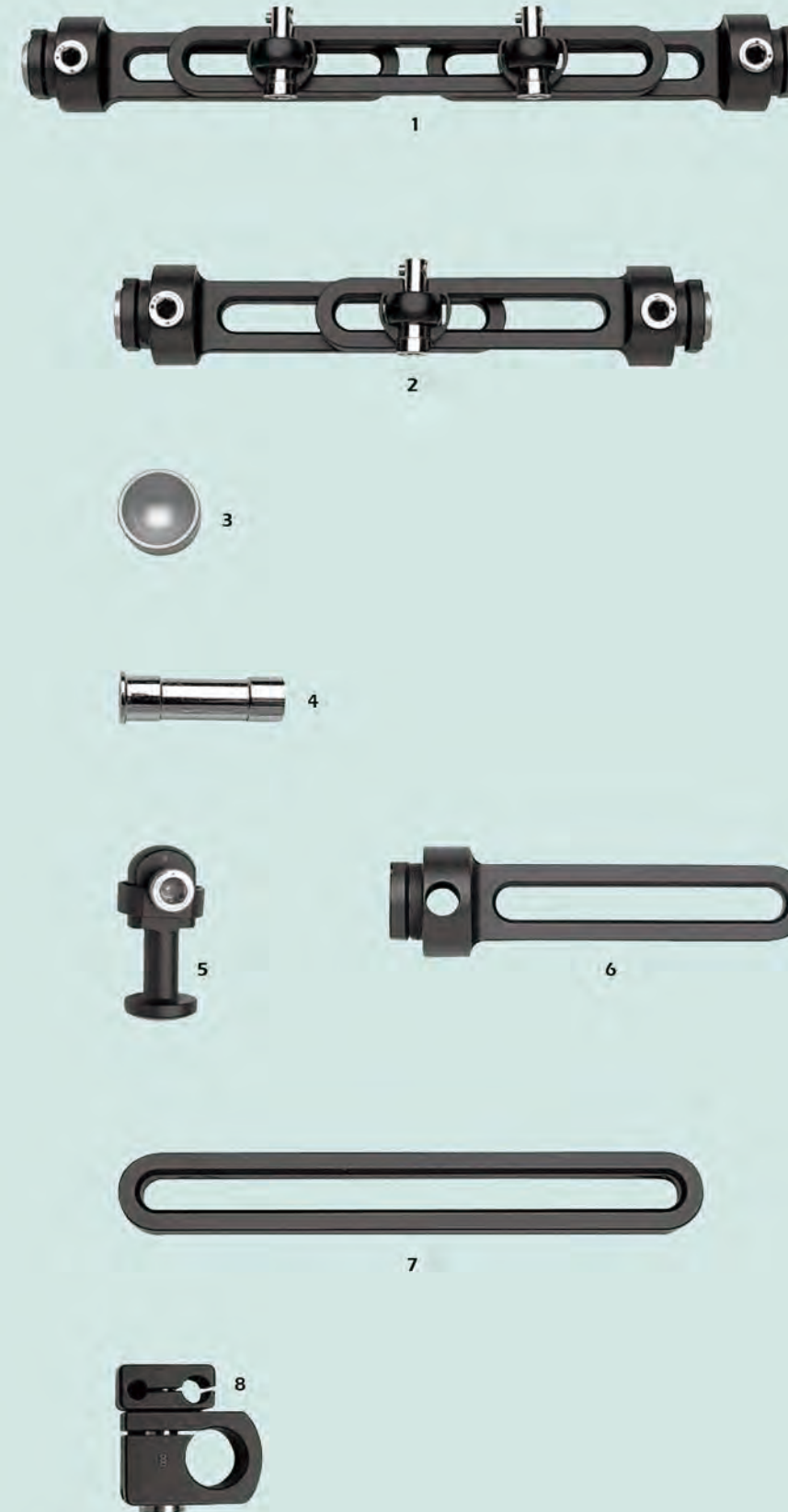
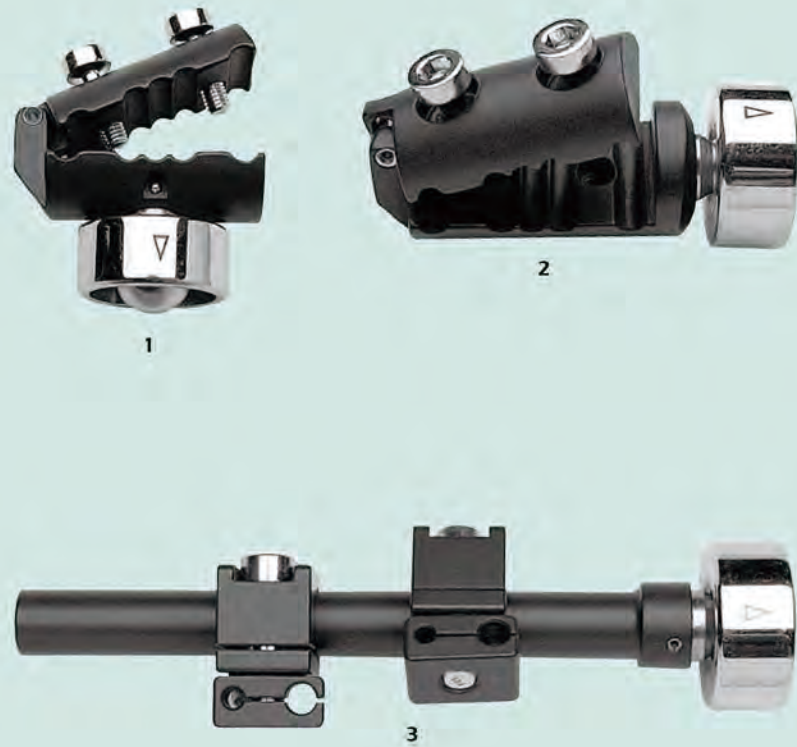
- 1  
**10206110 Short Fixator with T-Clamps**  
Consisting of: 2 Primary Links, 1 Pelvic Fixator Connecting Unit, 2 Cams, 2 Bushes and 2 T-Clamps.
- 2  
**10206120 Long Fixator with Straight Clamps**  
Consisting of: 2 Primary Links, 1 Pelvic Fixator Supplementary Link, 2 Pelvic Fixator Connecting Units, 2 Cams, 2 Bushes and 2 Straight Clamps.
- 3  
**10206130 Long Fixator with Ball-Jointed Modules for Independent Screw Placement**  
Consisting of: 2 Primary Links, 1 Pelvic Fixator Supplementary Link, 2 Pelvic Fixator Connecting Units, 2 Cams, 2 Bushes and 2 Ball-Jointed Modules for Independent Screw Placement.

## 1. BALL-JOINTED MODULES

- 1**  
**20010002 T-Clamp**  
For anterior applications.  
Acts as its own template for insertion of screws between the inferior and superior iliac spines.
- 2**  
**20010001 Straight Clamp**  
For iliac crest applications.  
Acts as its own template for insertion of screws into the iliac crest.
- 3**  
**20010003 Ball-Jointed Module for Independent Screw Placement**  
For iliac crest applications.  
Consisting of: 1 Bar with Ball-Joint and 2 Independent Screw Clamps. Enables screws to be placed freehand in chosen positions on the iliac crest.

## 1. 球关节组件

- 1**  
**20010002 T型夹块**  
适合早期应用  
用于髂前后上下间的螺钉植入
- 2**  
**20010001 直型夹块**  
适用于髂嵴  
用于髂嵴上螺钉的植入
- 3**  
**20010003 用于单独放置螺钉的球关节组件**  
适用于髂嵴  
组成: 1根带球关节的棒和2个单独的夹针块  
可徒手将螺钉放在髂嵴上已选好的位置



## 2. COMPONENTS/REPLACEMENTS

- 1**  
**20010090 Pelvic Fixator Long Body**  
Consisting of: 2 Primary Links, 1 Pelvic Fixator Supplementary Link, 2 Pelvic Fixator Connecting Units, 2 Cams and 2 Bushes.  
Maximum linear extension = 127 mm.
- 2**  
**20010091 Pelvic Fixator Short Body**  
Consisting of: 2 Primary Links, 1 Pelvic Fixator Connecting Unit, 2 Cams and 2 Bushes.  
Maximum linear extension = 77 mm.
- 3**  
**20010023 Bush**
- 4**  
**20010024 Cam**
- 5**  
**20010043 Pelvic Fixator Connecting Unit**
- 6**  
**20010044 Primary Link**
- 7**  
**20010045 Pelvic Fixator Supplementary Link**
- 8**  
**20010046 Independent Screw Clamp**

## 2. 组件/替换件

- 1**  
**20010090 长的骨盆支架体**  
组成: 2个主连接体, 1个骨盆支架附属连接环, 2个骨盆支架连接装置, 2个偏心轴和2个钢碗  
最大可调范围=127mm
- 2**  
**20010091 短的骨盆支架体**  
组成: 2个主连接体, 1个骨盆支架连接装置, 2个偏心轴和2个钢碗  
最大可调范围=77mm
- 3**  
**20010023 钢碗**
- 4**  
**20010024 偏心轴**
- 5**  
**20010043 骨盆支架连接装置**
- 6**  
**20010044 主连接体**
- 7**  
**20010045 骨盆支架辅助连接环**
- 8**  
**20010046 独立螺钉夹块**



### 3. INSTRUMENTATION

- 1**  
**10011011 Pelvic Screw Guide**  
Length 100 mm.  
To prevent penetration of the inner or outer table of the ilium during screw insertion in iliac crest applications.
- 2**  
**Screw Guides**  
**10011060** Length 60mm  
**10011100** Length 100mm
- 3**  
**Drill Guides Ø 3.2 mm**  
**10013040** Length 40mm  
**10013080** Length 80mm
- 4**  
**10019001 Allen wrench 3 mm**
- 5**  
**10020001 Drill Bit Stop Units Ø 3.2 mm**
- 6**  
**10021001 Drill Bits Ø 3.2 mm**  
Length 140 mm  
**10021001 Drill Bit Kit Ø 3.2 mm**  
Consisting of: 1 Allen wrench 3mm,  
1 Drill Bit Stop Unit Ø3.2mm and  
1 Drill Bit 140mm.

### 3. 器械

- 1**  
**10011011 骨盆螺钉导向器**  
长度 100mm  
防止螺钉穿透髂骨骨板
- 2**  
**螺钉导向器**  
**10011060** 长度 60mm  
**10011100** 长度 100mm
- 3**  
**直径3.2毫米钻头导向器**  
**10013040** 长度 40mm  
**10013080** 长度 80mm
- 4**  
**10019001 Ø3mm六角扳手**
- 5**  
**10020001 Ø3.2mm钻头调节装置**
- 6**  
**10021001 Ø3.2mm钻头**  
长度 140 mm  
**10021001 钻头装置, Ø3.2mm**  
组成: 1个Ø3mm六角扳手, 1个Ø3.2mm钻头  
调节装置和1个长400mm的钻头



### INSTRUMENTATION

- 7**  
**10025001 T-wrench**  
Used to insert or remove bone screws.
- 8**  
**10019003 Allen wrench 6 mm**
- 9**  
**10016001 Tapered Trocar**  
Used within a screw guide to locate an appropriate position on the cortex.
- 10**  
**10015001 Hammer**  
**10015002 Hammer Interchangeable Head**  
**10015003 Hammer Locking Nut**
- 11**  
**10025002 Torque wrench 6 mm**  
ONLY used for locking the cams of the ball-joints: it should be rotated clockwise until a click is heard.

### 器械

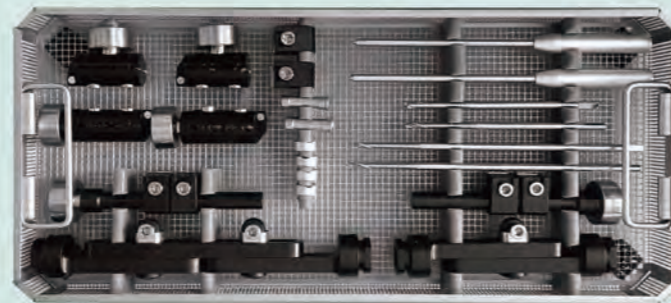
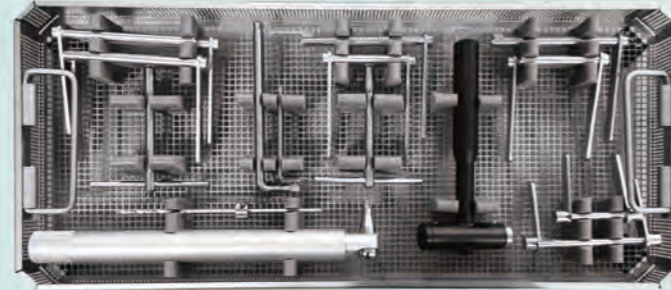
- 7**  
**10025001 T型扳手**  
用来植入可取出接骨螺钉
- 8**  
**10019003 Ø6mm六角扳手**
- 9**  
**10016001 锥形套管针**  
在螺钉导向器内用于在皮层上确定一个合适的位置
- 10**  
**10015001 锤子**  
**10015002 锤子可替换头部**  
**10015003 锁定螺母锤**
- 11**  
**10025002 Ø6mm扭矩扳手**  
仅用来锁定球关节的钢碗, 顺时针旋转, 直到听见咔嚓声

#### 4. STERILIZATION BOX

1

##### 35001 Pelvic Fixator System

- 6x10173000 Self-drilling Cortical Screw, shaft  $\Phi 6\text{mm}$ , thread  $\Phi 6-5\text{mm}$ , total length 220mm, thread length 50mm
- 6x10113000 Self-drilling Cortical Screw, shaft  $\Phi 6\text{mm}$ , thread  $\Phi 6-5\text{mm}$ , total length 150mm, thread length 50mm
- 4x10011060 Screw Guide, length 60mm
- 4x10011100 Screw Guide, length 100mm
- 2x10011011 Pelvic Screw Guide, length 100 mm
- 2x10025001 T-Wrench
- 2x10016001 Tapered Trocar
- 1x10025002 Torque Wrench 6mm
- 1x10015001 Hammer
- 2x10019003 Allen Wrench 6mm
- 2x10021001 Drill Bit Kit  $\Phi 3.2\text{mm}$   
Consisting of: 1 Drill Bit 140 mm  $\Phi 3.2\text{mm}$ ; 1 Drill Bit Stop Unit  $\Phi 3.2\text{mm}$ :  
1 Allen Wrench 3 mm
- 2x10013040 Drill Guide,  $\Phi 3.2\text{mm}$ , length 40mm
- 2x10013080 Drill Guide,  $\Phi 3.2\text{mm}$ , length 80mm
- 1x20010090 Pelvic Fixator Long Body Assembled  
Consisting of: 2 Primary Links: 1 Pelvic Fixator Supplementary Link: 2 Pelvic Fixator Connecting Units: 2 Cams; 2 Bushes
- 1x20010091 Pelvic Fixator Short Body Assembled Consisting of: 2 Primary Links: 1 Pelvic Fixator Connecting Units: 2 Cams; 2 Bushes
- 2x20010003 Ball-Jointed Module for Independent Screw Placement
- 2x20010046 Independent Screw Clamp
- 2x20010001 Straight Clamp
- 2x20010002 T-Clamp



1

#### 4. 消毒盒

1

##### 35001 骨盆支架系统

- 6 × 10173000 自转皮质钉，杆  $\Phi 6\text{mm}$ ，螺纹  $\Phi 5-6\text{mm}$ ，总长度220mm，螺纹长度50mm
- 6 × 10113000 自转皮质钉，杆  $\Phi 6\text{mm}$ ，螺纹  $\Phi 5-6\text{mm}$ ，总长度150mm，螺纹长度50mm
- 4 × 10011060 螺钉导向器，长度 60mm
- 4 × 10011100 螺钉导向器，长度 100mm
- 2 × 10011011 骨盆螺钉导向器，长度 100mm
- 2 × 10025001 T型扳手
- 2 × 10016001 锥形套管针
- 1 × 10025002  $\Phi 6\text{mm}$ 扭矩扳手
- 1 × 10015001 锤子
- 2 × 10019003  $\Phi 6\text{mm}$ 六角扳手
- 2 × 10021001 钻头装置， $\Phi 3.2\text{mm}$   
组成：1个  $\Phi 3.2\text{mm}$ 长140mm的钻头，1个  $\Phi 3.2\text{mm}$ 钻头调节装置和1个  $\Phi 3\text{mm}$ 六角扳手
- 2 × 10013040 钻头导向器， $\Phi 3.2\text{mm}$ ，长度 40mm
- 2 × 10013080 钻头导向器， $\Phi 3.2\text{mm}$ ，长度 80mm
- 1 × 20010090 骨盆支架长型装配体  
组成：2个主连接体，1个骨盆支架辅助连接环，2个骨盆支架连接装置，2个偏心轴和2个钢碗
- 1 × 20010091 骨盆支架短型装配体  
组成：2个主连接体，1个骨盆支架连接装置，2个偏心轴和2个钢碗
- 2 × 20010003 用于单独放置螺钉的球关节组件
- 2 × 20010046 独立螺钉夹块
- 2 × 20010001 直型夹块
- 2 × 20010002 T型夹块

## J. ELBOW FIXATOR J. 肘关节支架



**1**  
**10105030 Elbow Fixator with Straight Clamps**  
Consisting of: 2 Primary Links, 1 Elbow Fixator Central Connecting Unit, 2 Cams, 2 Bushes, 1 Elbow Fixator Small Distractor, 2 Straight Clamps, 1 pair of Elbow Fixator Compression-Distractor Unit Spacers, 1 Long Compression-Distractor Unit, 1 Allen Wrench 6 mm and 1 Allen Wrench 3 mm.

**1**  
**10105030 带直型夹块的肘关节支架**  
组成: 2个主连接体, 1个肘关节中心连接装置, 2个偏心轴, 2个钢碗, 1副小的肘关节支架, 2个直型夹块, 1副肘关节支架调节套, 1个长的调节套, 1个6mm的六角扳手和1个3mm六角扳手

## 1. BALL-JOINTED MODULES

1

### 20010001 Straight Clamp

Acts as its own template for insertion of screws in the humerus and ulna.

2

### 20010004 Elbow Extended Range Clamp

Acts as its own template for screw insertion in the ulna. It is used when a wider choice of angle for screw placement is necessary.



1



2

## 1. 球关节组件

1

### 20010001 直型夹块

在肱骨和尺骨之间植入螺钉

2

### 20010004 肘关节延长夹块

允许按自己的模板将螺钉植入尺骨当角度有更大旋转时，可选用这个夹块



1



2



3



4



5



6



7



8



9



10



11

## 2. COMPONENTS/REPLACEMENTS

1

20010082 Elbow Fixator Central Body  
Consisting of: 2 Primary Links, 1 Elbow Fixator Central Connecting Unit, 1 Elbow Fixator Small Distractor, 2 Cams and 2 Bushes.

2

20010023 Bush

3

20010024 Cam

4

20010083 Elbow Fixator Central Connecting Unit

5

20010084 Elbow Fixator Link Locking Screw

6

20010085 Plate Locking Screw

7

20010044 Primary Link  
Length 130 mm.

8

20010086 Short Primary Link  
Length 100 mm.

9

20010087 Elbow Fixator Small Distractor

10

Compression-Distractor Units

20010050 Standard, Extends to 4 cm.

20010060 Long, Extends to 8 cm.

20010070 Short, Extends to 2.75 cm.

11

20010088 Elbow Fixator Compression-Distractor Unit Spacers (1 pair)

## 2. 组件/替换件

1

### 20010082 肘关节支架中间体

组成: 2个主连接体, 1个肘关节支架中心连接装置和1个肘关节支架小的调节装置

2

20010023 钢碗

3

20010024 偏心轴

4

20010083 肘关节支架中心连接装置

5

20010084 肘关节连接锁定螺钉

6

20010085 锁定螺钉板

7

20010044 基本连接装置 长度 130mm

8

20010086 短的基本连接装置 长度 100mm

9

20010087 肘关节支架小的调节装置

10

调节装置

20010050 标准型 可延伸 4cm

20010060 长型 可延伸 8cm

20010070 短型 可延伸 2.75cm

11

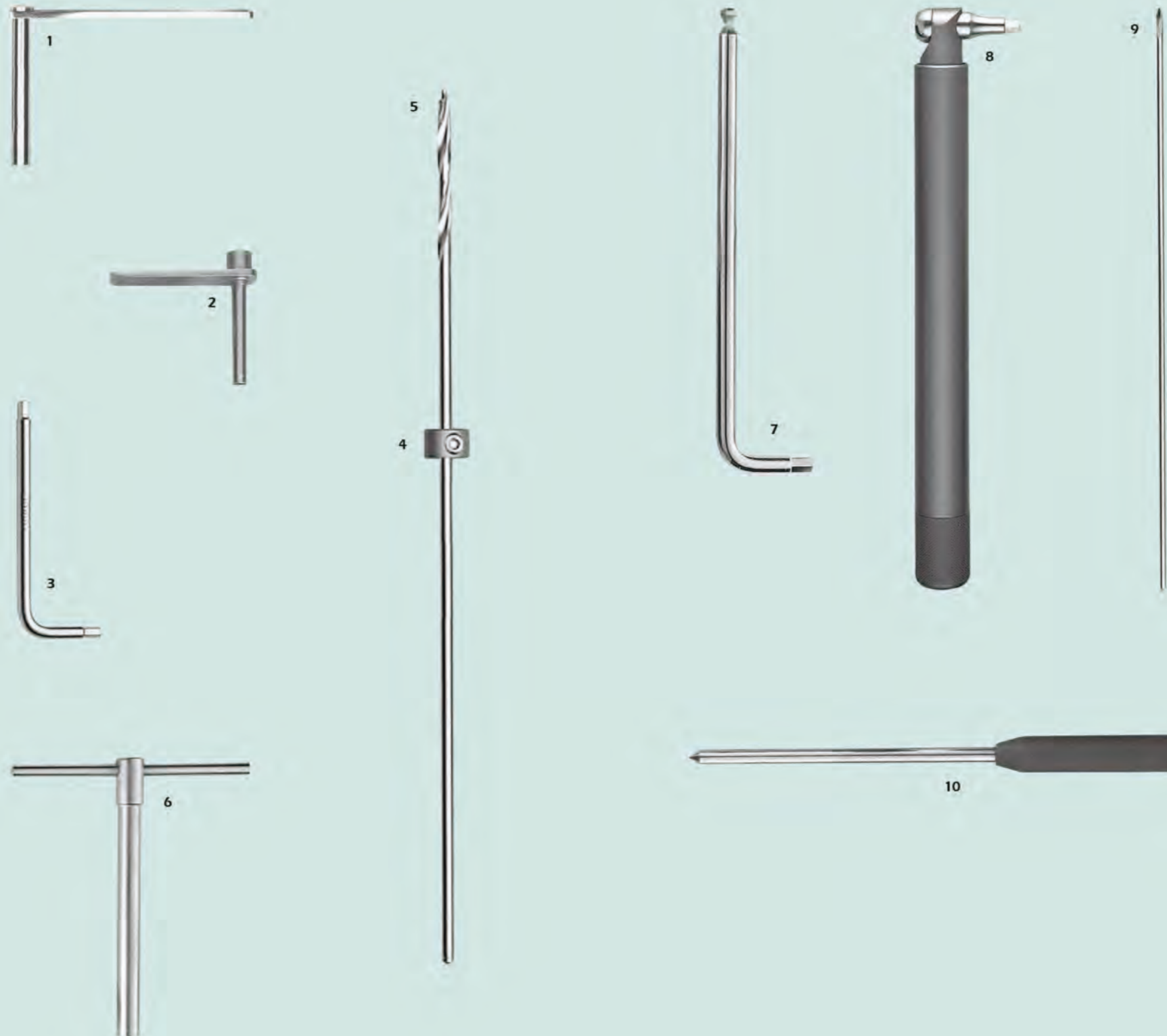
20010088 肘关节支架调节套 (1副)

### 3. INSTRUMENTATION

- 1**  
10011060 Screw Guide  
Length 60 mm
- 2**  
Drill Guides  
Ø 3.2 mm 10013040 Length 40 mm  
Ø 4.8 mm 10014040 Length 40 mm
- 3**  
10019001 Allen wrench 3 mm
- 4**  
Drill Bit Stop Units  
10020001 Ø3.2 mm  
10020002 Ø4.8 mm
- 5**  
Drill Bit Ø 3.2 mm  
10021001 Length 140 mm  
10021001 Drill Bit Kit Ø 3.2 mm  
Consisting of: 1 Allen wrench 3mm,  
1 Drill Bit Stop Unit Ø3.2mm and  
1 Drill Bit 140mm.
- Ø 4.8 mm  
10021003 Length 180 mm  
10021003 Drill Bit Kit Ø 4.8 mm  
Consisting of: 1 Allen wrench 3mm,  
1 Drill Bit Stop Unit Ø4.8mm and  
1 Drill Bit 180.
- 6**  
10025001 T-wrench  
Used to insert or remove bone screws.

### 3. 器械

- 1**  
10011060 螺钉导向器 长度 60mm
- 2**  
钻头导向器, Ø3.2mm  
10013040 长度 40mm  
Ø4.8mm  
10014040 长度 40mm
- 3**  
10019001 Ø3mm六角扳手
- 4**  
钻头调节装置  
10020001 Ø3.2mm  
10020002 Ø4.8mm
- 5**  
钻头, Ø3.2mm  
10021001 长度 140 mm  
10021001 钻头装置, Ø3.2mm  
组成: 1个Ø3mm六角扳手, 1个Ø3.2mm的钻头  
调节装置和1个长度为140mm的钻头
- Ø4.8mm  
10021003 长度 180mm  
10021003 钻头装置, Ø4.8mm  
组成: 1个Ø3mm六角扳手, 1个Ø4.8mm的钻头  
调节装置和1个长度为180mm的钻头
- 6**  
10025001 T型扳手  
用来植入可取出接骨螺钉



### INSTRUMENTATION

- 7**  
10019003 Allen wrench 6 mm
- 8**  
10025002 Torque wrench 5 mm  
ONLY used for locking the cams of the  
ball-joints: it should be rotated clockwise  
until a click is heard.
- 9**  
10024002 X-wire without olive Ø 2 mm  
Length 150 mm
- 10**  
10016001 Tapered Trocar  
Used within a screw guide to locate an  
appropriate position on the cortex.

### 器械

- 7**  
10019003 Ø6mm六角扳手
- 8**  
10025002 Ø6mm扭矩扳手  
用来锁定球关节的偏心轴, 顺时针旋转, 直到  
听见咔嚓声
- 9**  
10024002 不带橄榄球的克氏针, Ø2mm  
长度 150mm
- 10**  
10016001 锥形套管针  
在螺钉导向器内用于在皮层上确定一个合适的位置

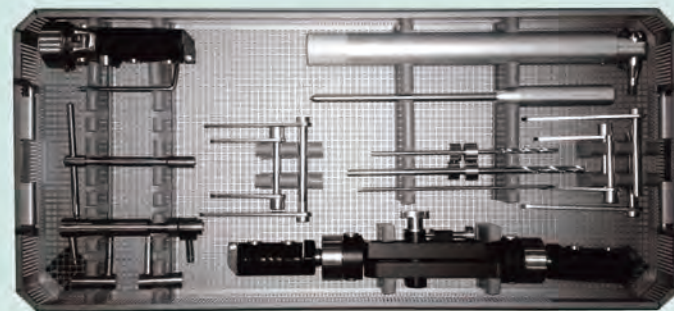
## 4. STERILIZATION BOX

1

### 36001 Elbow Fixator System

Can accommodate:

- 1x10105030 Elbow Fixator with Straight Clamps
- 1x20010004 Elbow Extended Range Clamp
- 1x20010050 Compression-Distractor Unit Standard, extends to 4cm
- 4x10011060 Screw Guide, length 60mm
- 2x10013040 Drill Guide,  $\Phi 3.2\text{mm}$ , length 40mm
- 2x10014040 Drill Guide,  $\Phi 4.8\text{mm}$ , length 40mm
- 2x10021001 Drill Bit Kit  $\Phi 3.2\text{mm}$   
Consisting of: 1 Allen Wrench 3mm, 1 Drill Bit Stop Unit  $\Phi 3.2\text{mm}$ , 1 Drill Bit 140mm  $\Phi 3.2\text{mm}$ .
- 2x10021003 Drill Bit Kit  $\Phi 4.8\text{mm}$   
Consisting of: 1 Allen Wrench 3 mm, 1 Drill Bit Stop Unit  $\Phi 4.8\text{mm}$ , 1 Drill Bit 180mm  $\Phi 4.8\text{mm}$ .
- 1x10019003 Torque Wrench 6mm
- 1x10016001 Tapered Trocar
- 1x10025001 T-Wrench
- 4x10024002 X-Wire without olive  $\Phi 2.0\text{mm}$ , length 150mm
- 4x10137 Cortical Screw, shaft  $\Phi 6\text{mm}$ , thread  $\Phi 4.5-3.5\text{mm}$ , total length 120mm, thread length 20mm  
or
- 4x10135 Cortical Screw, shaft  $\Phi 6\text{mm}$ , thread  $\Phi 4.5-3.5\text{mm}$ , total length 100mm, thread length 20mm
- 4x10110 Cortical Screw, shaft  $\Phi 6\text{mm}$ , thread  $\Phi 6-5\text{mm}$ , total length 110mm, thread length 30mm  
or
- 4x10162 Cortical Screw, shaft  $\Phi 6\text{mm}$ , thread  $\Phi 6-5\text{mm}$ , total length 100mm, thread length 30mm



1

## 4. 消毒盒

1

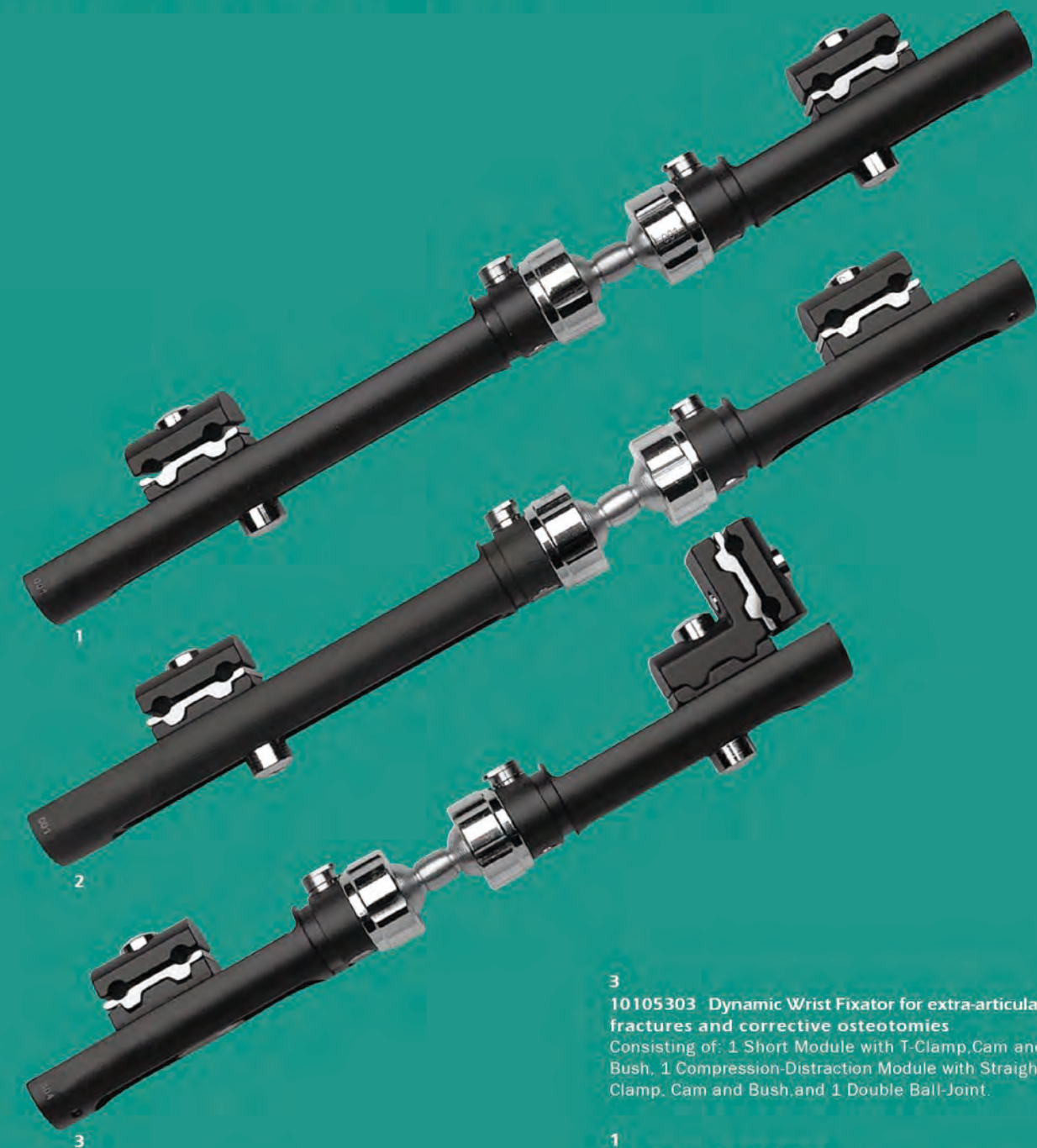
### 36001 肘关节系统

可包括:

- 1 × 10105030 带直型夹块的肘关节支架
- 1 × 20010004 肘关节延长夹块
- 1 × 20010050 标准调节套, 可延伸4cm
- 4 × 10011060 螺钉导向器, 长度 60mm
- 2 × 10013040 钻头导向器,  $\Phi 3.2\text{mm}$ , 长度 40mm
- 2 × 10014040 钻头导向器,  $\Phi 4.8\text{mm}$ , 长度 40mm
- 2 × 10021001 钻头装置,  $\Phi 3.2\text{mm}$   
组成: 1个  $\Phi 3\text{mm}$ 六角扳手, 1个  $\Phi 3.2\text{mm}$ 钻头调节装置和1个  $\Phi 3.2\text{mm}$ 长140mm的钻头
- 2 × 10021003 钻头装置,  $\Phi 4.8\text{mm}$   
组成: 1个  $\Phi 3\text{mm}$ 六角扳手, 1个  $\Phi 4.8\text{mm}$ 钻头调节装置和1个  $\Phi 4.8\text{mm}$ 长180mm的钻头
- 1 × 10019003  $\Phi 6\text{mm}$ 扭矩扳手
- 1 × 10016001 锥型套管针
- 1 × 10025001 T型扳手
- 4 × 10024002 不带橄榄球的克氏针,  $\Phi 2\text{mm}$  长度 150mm
- 4 × 10137 皮质钉, 杆  $\Phi 6\text{mm}$ , 螺纹  $\Phi 3.5-4.5\text{mm}$ , 总长度 120mm, 螺纹长度 20mm
- 4 × 10135 皮质钉, 杆  $\Phi 6\text{mm}$ , 螺纹  $\Phi 3.5-4.5\text{mm}$ , 总长度 100mm, 螺纹长度 20mm
- 4 × 10110 皮质钉, 杆  $\Phi 6\text{mm}$ , 螺纹  $\Phi 5-6\text{mm}$ , 总长度 110mm, 螺纹长度 30mm
- 4 × 10162 皮质钉, 杆  $\Phi 6\text{mm}$ , 螺纹  $\Phi 5-6\text{mm}$ , 总长度 100mm, 螺纹长度 30mm

## K. DYNAMIC WRIST FIXATOR

## K. 动力腕关节支架



**1**  
**10105301 Dynamic Wrist Fixator**  
Consisting of: 1 Short Module with Straight Clamp, Cam and Bush, 1 Long Module with Straight Clamp, Cam and Bush and 1 Double Ball-Joint.

**2**  
**10105302 Dynamic Wrist Fixator with Compression-Distraction Module**  
Consisting of: 1 Long Module with Straight Clamp, Cam and Bush, 1 Compression-Distraction Module with Straight Clamp, Cam and Bush and 1 Double Ball-Joint.

**3**  
**10105303 Dynamic Wrist Fixator for extra-articular fractures and corrective osteotomies**  
Consisting of: 1 Short Module with T-Clamp, Cam and Bush, 1 Compression-Distraction Module with Straight Clamp, Cam and Bush, and 1 Double Ball-Joint.

**1**  
**10105301 动力腕关节支架**  
构成：1个短的直型夹块模型，偏心轴和钢碗，1个长的带直型夹块的组件，偏心轴和钢碗和一副球关节

**2**  
**10105302 带调节组件的动力腕关节支架**  
构成：1个长的带直型夹块的组件，偏心轴和钢碗1个带直型夹块的调节套组件，偏心轴和钢碗和一副球关节

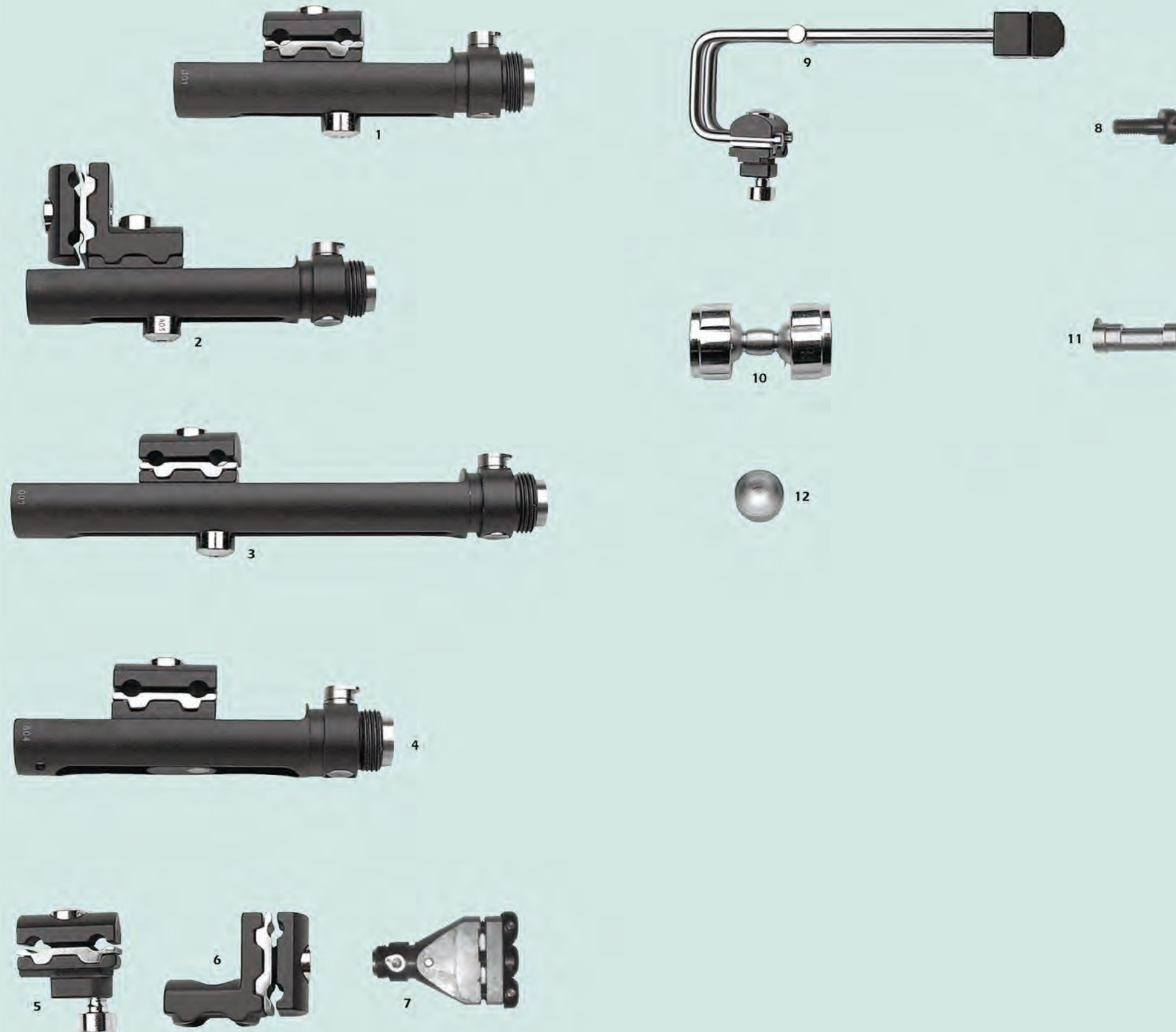
**3**  
**10105303 外关节骨折矫正动力腕关节支架**  
构成：1个短的T型夹块组件，偏心轴和钢碗，1个带直型夹块的调节套组件，偏心轴和钢碗和一副球关节

## 1. COMPONENTS/ REPLACEMENTS

- 1  
20020001 Dynamic wrist Fixator-Short Module  
With Straight Clamp, Cam and Bush.
- 2  
20020002 Dynamic wrist Fixator-Short Module  
With T-Clamp, Cam and Bush.
- 3  
20020003 Dynamic wrist Fixator-Long Module  
With Straight Clamp, Cam and Bush.
- 4  
20020004 Dynamic wrist Fixator-Compression-Distraction Module  
With Straight Clamp, Cam and Bush.
- 5  
20020005 Dynamic wrist Fixator-Straight Clamp
- 6  
20020006 Dynamic wrist Fixator-T-Clamp
- 7  
20020007 Extra-articular wrist Clamp

### 1. 组件/替换件

- 1  
20020001 动力腕关节支架短型组件  
带直型夹块, 偏心轴和钢碗
- 2  
20020002 动力腕关节支架短型组件  
带T型夹块, 偏心轴和钢碗
- 3  
20020003 动力腕关节支架长型组件  
带直型夹块, 偏心轴和钢碗
- 4  
20020004 动力腕关节支架调节组件  
带直型夹块, 偏心轴和钢碗
- 5  
20020005 动力腕关节支架直型夹块
- 6  
20020006 动力腕关节支架T型夹块
- 7  
20020007 腕关节外端夹块



## COMPONENTS/ REPLACEMENTS

- 8  
20021001 Extra-articular Radiolucent  
wrist Clamp Screw Re-use Kit  
(set of 3)
- 9  
20021002 Dynamic wrist Fixator-  
Ulnar Outrigger Clamp
- 10  
20021003 Dynamic wrist Fixator-  
Double Ball-Joint
- 11  
20021004 Dynamic wrist Fixator-  
Cam
- 12  
20021005 Dynamic wrist Fixator-  
Bush

### 组件/替换件

- 8  
20021001 肘关节可透视尺桡骨夹块螺钉  
(3套)
- 9  
20021002 动力腕关节尺骨外接夹块
- 10  
20021003 动力腕关节支架双球关节
- 11  
20021004 动力腕关节支架偏心轴
- 12  
20021005 动力腕关节支架钢碗

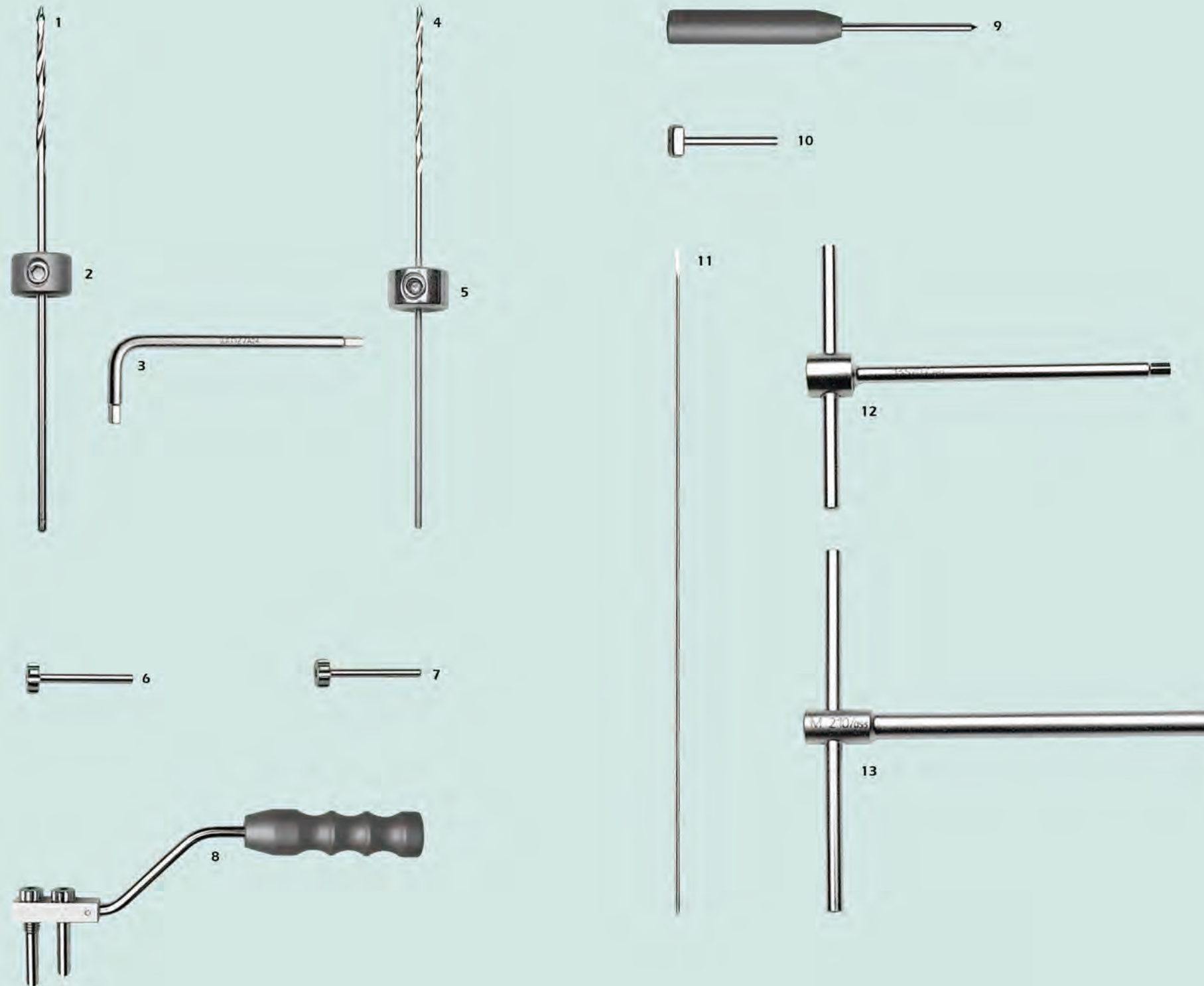


## 2. INSTRUMENTATION

- 1  
10021008 Drill Bit  $\varnothing$  2.7 mm  
Length 127mm.  
For  $\varnothing$ 3.3-3mm Pennig wrist cortical screws.
- 2  
10020003/10020004 Drill Bit Stop Unit  $\varnothing$ 2.7/2.9mm
- 3  
10019001 Allen wrench 3 mm  
10021008 Drill Bit Kit  $\varnothing$  2.7 mm  
Consisting of: 1 Drill Bit  $\varnothing$ 2.7mm,  
1 Drill Bit Stop Unit  $\varnothing$ 2.7/2.9mm  
and 1 Allen Wrench 3mm.
- 4  
10021009 Drill Bit  $\varnothing$  2.0 mm  
Length 127mm.  
For  $\varnothing$ 3-2.5mm Pennig wrist cortical screws.
- 5  
10020006 Drill Bit Stop Unit  $\varnothing$  2.0 mm  
10021009 Drill Bit Kit  $\varnothing$  2.0 mm  
Consisting of: 1 Drill Bit  $\varnothing$ 2.0mm,  
1 Drill Bit Stop Unit  $\varnothing$ 2.0mm and  
1 Allen Wrench 3mm.
- 6  
10013001 Drill Guide  $\varnothing$  2.7 mm
- 7  
10013002 Drill Guide  $\varnothing$  2.0 mm  
10013003 Special Kit for small metacarpals  
Consisting of: 1 Drill Bit  $\varnothing$ 2.0mm,  
1 Drill Bit Stop Unit  $\varnothing$ 2.0mm, 1 Allen Wrench 3 mm, 1 Drill Guide  $\varnothing$ 2.0mm and 4 Pennig Wrist Cortical Screws, shaft  $\varnothing$ 4mm, thread  $\varnothing$ 3-2.5mm, total length 70mm, thread length 20mm
- 8  
10012001 Template with Handle

## 2. 器械

- 1  
10021008 钻头,  $\varnothing$ 2.7mm 长度 127mm  
用于 $\varnothing$ 3-3.3mm腕关节皮质钉
- 2  
10020003/10020004 钻头调节装置,  
 $\varnothing$ 2.7或2.9毫米
- 3  
10019001  $\varnothing$ 3mm六角扳手  
10021008 钻头装置,  $\varnothing$ 2.7mm  
组成: 1个 $\varnothing$ 2.7mm钻头, 1个 $\varnothing$ 2.7或2.9mm  
钻头调节装置和1个 $\varnothing$ 3mm六角扳手
- 4  
10021009 钻头,  $\varnothing$ 2mm 长度 127mm  
用于 $\varnothing$ 2.5-3mm腕关节皮质钉
- 5  
10020006 钻头调节装置,  $\varnothing$ 2mm  
10021009 钻头装置,  $\varnothing$ 2mm  
组成: 1个 $\varnothing$ 2mm钻头, 1个 $\varnothing$ 2mm钻头调节  
装置和1个 $\varnothing$ 3mm六角扳手
- 6  
10013001 钻头导向器,  $\varnothing$ 2.7mm
- 7  
10013002 钻头导向器,  $\varnothing$ 2mm  
10013003 用于小的骨干的特别装置  
组成: 1个 $\varnothing$ 2mm钻头, 1个 $\varnothing$ 2mm钻头调节  
装置, 1个 $\varnothing$ 3mm六角扳手, 1个 $\varnothing$ 2mm钻头导  
向器和4个腕关节皮质钉, 杆 $\varnothing$ 4mm, 螺纹 $\varnothing$ 2.5  
-3mm, 总长度70mm, 螺纹长度20mm
- 8  
10012001 带手动处理的模板



## INSTRUMENTATION

- 9  
10016006 T apared Trocar
- 10  
10012020 Pilot wire Guide  $\varnothing$ 1.6 mm  
For insertion of X-Wires.
- 11  
13715000 K-wire  $\varnothing$ 1.5 mm(pack of 2)  
Length 150 mm.
- 12  
10025005 T-wrench  
For Clamp Screws.
- 13  
10025006 T-wrench  
For Bone Screws.

## 器械

- 9  
10016006 直型套管针
- 10  
10012020 克氏针导向器,  $\varnothing$ 1.6mm  
用于植入克氏针
- 11  
13715000  $\varnothing$ 1.5mm的克氏针 (2根)  
长度 150mm
- 12  
10025005 T型扳手  
用于夹块螺钉
- 13  
10025006 T型扳手  
用于骨钉

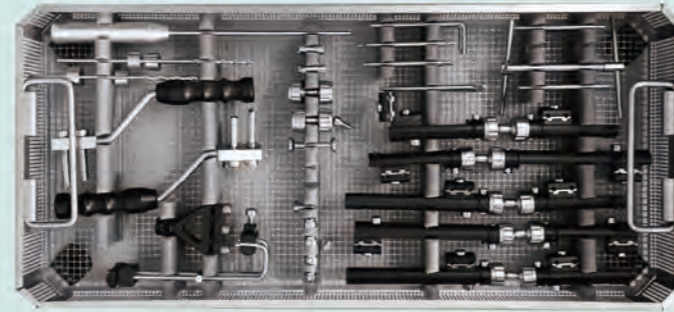
### 3. STERILIZATION BOXES

1

#### 37001 Pennig Dynamic wrist Fixator System

Can accommodate:

- 2x10105301 Pennig Dynamic Wrist Fixator or
- 2x10105302 Pennig Dynamic Wrist Fixator with Compression-Distractor Module
- 1x10105303 Pennig Dynamic Wrist Fixator for extra-articular fractures and corrective osteotomies
- 2x10012001 Template with Handle
- 2x20021003 Pennig Dynamic Wrist Fixator - Double Ball-Joint
- 4x20021005 Pennig Dynamic Wrist Fixator - Bush
- 4x20021004 Pennig Dynamic Wrist Fixator - Cam
- 2x10021008 Drill Bit Kit  $\Phi 2.7$  mm  
Consisting of: 1 Drill Bit  $\Phi 2.7$  mm, 1 Drill Bit Stop Unit  $\Phi 2.9$  mm and 1 Allen Wrench 3 mm
- 2x10013001 Drill Guide  $\Phi 2.7$  mm
- 5x35101 Pennig Wrist Cortical Screw, shaft  $\Phi 4$  mm, thread  $\Phi 3.3-3$  mm, total length 80 mm, thread length 35 mm
- 12x35100 Pennig Wrist Cortical Screw, shaft  $\Phi 4$  mm, thread  $\Phi 3.3-3$  mm, total length 70 mm, thread length 20 mm
- 1x10025006 T-Wrench for Bone Screws
- 1x10025005 T-Wrench for Clamp Screws
- 1x10016006 Tapered Trocar
- 2x10012020 Pilot Wire Guide  $\Phi 1.6$  mm
- 1x20020006 Pennig Dynamic Wrist Fixator - T-Clamp
- 1x20021002 Pennig Dynamic Wrist Fixator - Ulnar Outrigger Clamp
- 1x20020007 Extra-articular RadioLucent Wrist Clamp



1

### 3. 消毒盒

1

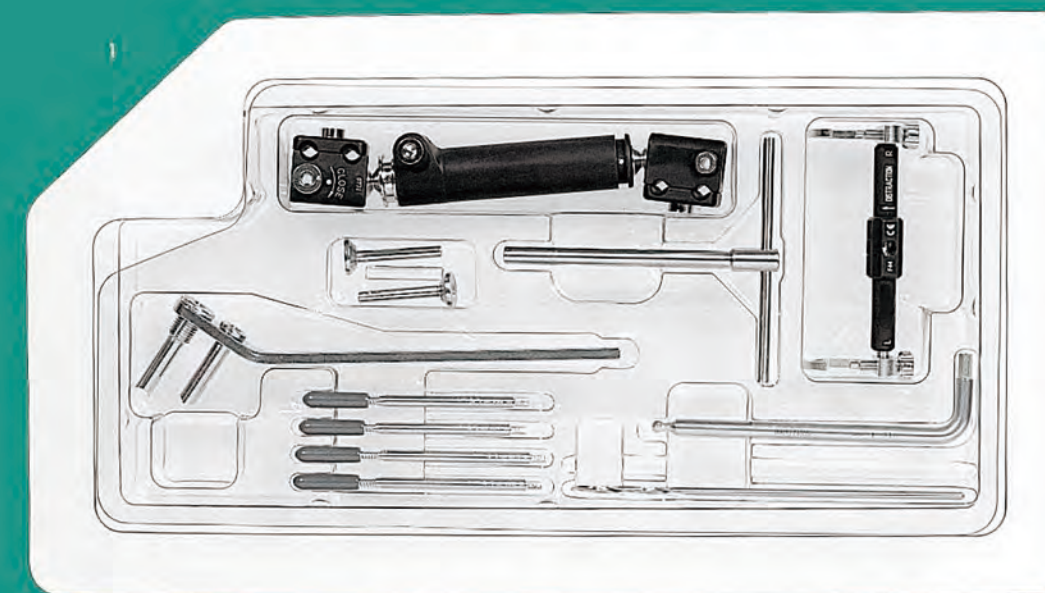
#### 37001 可动腕关节支架系统

可包括:

- 2x 10105301 动力腕关节支架
- 2x 10105302 带调节装置的动力腕关节支架
- 1x 10105303 用于外关节矫正动力腕关节支架
- 2x 10012001 带把手的模板
- 2x 20021003 双球连接器
- 4x 20021005 钢碗
- 4x 20021004 偏心轴
- 2x 10021008 钻头装置,  $\Phi 2.7$ mm  
组成: 1个 $\Phi 2.7$ mm钻头, 1个 $\Phi 2.9$ mm钻头调节装置和1个 $\Phi 3$ mm六角扳手
- 2x 10013001 钻头导向器,  $\Phi 2.7$ mm
- 5x 35101 皮质钉  
杆 $\Phi 4$ mm, 螺纹 $\Phi 3-3.3$ mm, 总长 80mm, 螺纹长度 35mm
- 12x 35100 皮质钉  
杆 $\Phi 4$ mm, 螺纹 $\Phi 3-3.3$ mm, 总长 70mm, 螺纹长度 20mm
- 1x 10025006 牵引针T型扳手
- 1x 10025005 夹块螺钉T型扳手
- 1x 10016006 直形套管针
- 2x 10012020 克氏针导向器,  $\Phi 1.6$ mm
- 1x 20020006 T型夹块
- 1x 20021002 尺桡骨外接夹块
- 1x 20020007 可透光腕关节外端夹块

## L. RADIOLUCENT WRIST FIXATOR

## L. 可透光腕关节支架



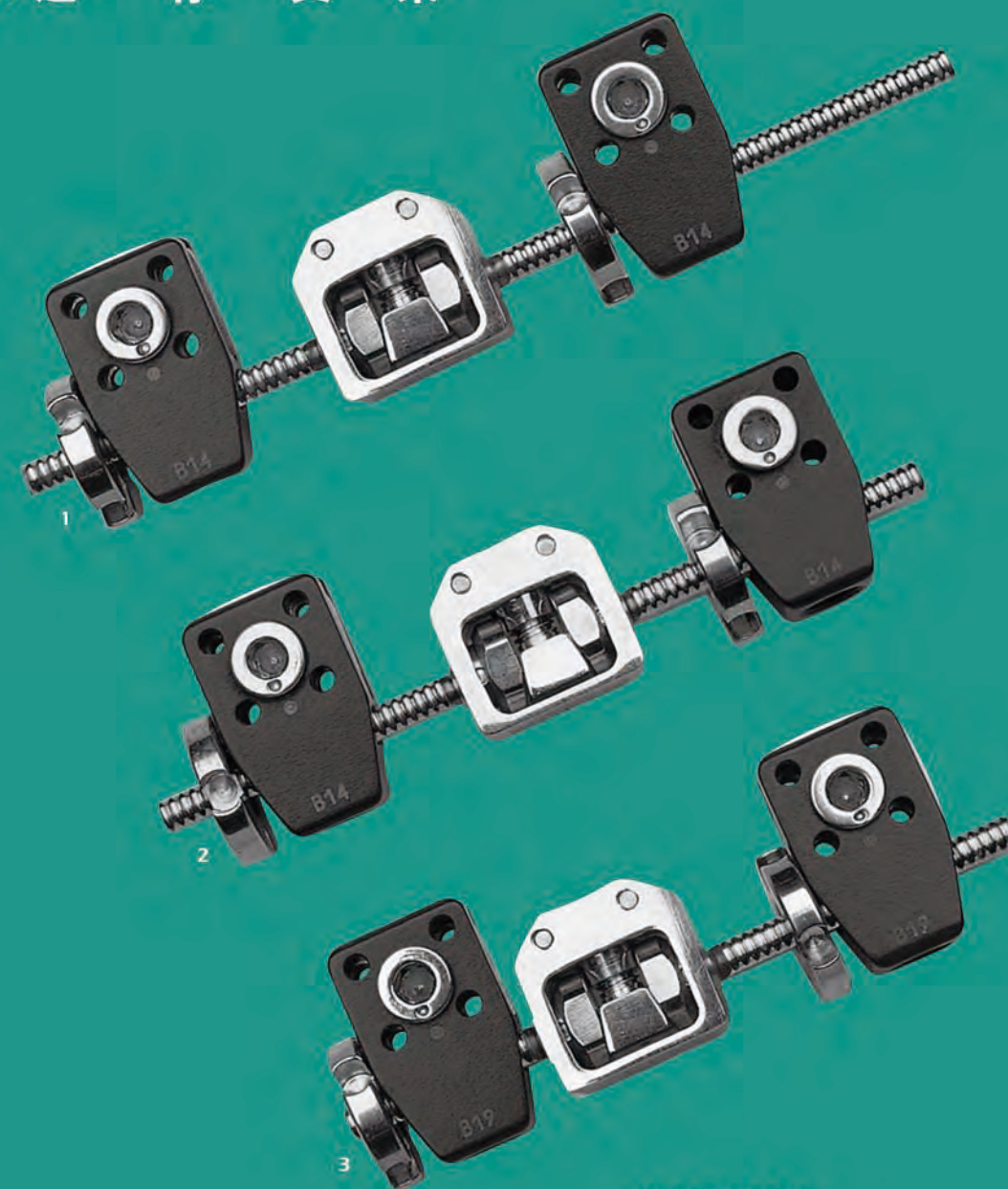
1

**10105307 RadioLucent Wrist Fixator Kit, sterile**  
Consisting of: 1 RadioLucent Wrist Fixator, 1 Compression-Distraction Unit, 1 Allen Wrench 4 mm, 2 Drill Guides, 1 Drill Bit  $\Phi 2.7$  mm, 1 Screw Template, 1 T-Wrench, 2 Self-drilling Screws, shaft  $\Phi 4$  mm, thread  $\Phi 3.3-3$  mm, total length 70 mm, thread length 20 mm, 2 Self-drilling Screws, shaft  $\Phi 4$  mm, thread  $\Phi 3.3-3$  mm, total length 80 mm, thread length 25 mm and 4 Bone Screw Covers.

1

**10105307 可透光腕关节支架装置, 无菌**  
组成: 1个可透光腕关节支架, 1个 $\Phi 4$ mm六角扳手, 2个钻头导向器, 1个 $\Phi 2.7$ mm钻头, 1个螺钉模板, 1个T型扳手, 2个自钻螺钉, 杆 $\Phi 4$ mm, 螺纹 $\Phi 3-3.3$ mm, 总长度 70mm, 螺纹长度 20mm, 2个自钻螺钉, 杆 $\Phi 4$ mm, 螺纹 $\Phi 3-3.3$ mm, 总长度 80mm, 螺纹长度 25mm和4个螺钉套。

## M. MINI FIXATOR M. 迷 你 支 架



### 迷你支架

1

#### 10103020 长型

构成：1个长支架体，2个迷你支架标准夹块和2个调节螺母。

2

#### 10103030 标准型

构成：1个标准支架体，2个迷你支架标准夹块和2个调节螺母。

3

#### 10103040 短型

构成：1个短型支架体，2个迷你支架标准夹块和2个调节螺母。

### Mini fixator Kits

1

#### 10103020 Long

Consisting of: 1 Minifixator Long Body, 2 Minifixator Standard Clamps and 2 Minifixator Compression-Distractor Nuts.

2

#### 10103030 Standard

Consisting of: 1 Minifixator Standard Body, 2 Minifixator Standard Clamps and 2 Minifixator Compression-Distractor Nuts.

3

#### 10103040 Short

Consisting of: 1 Minifixator Short Body, 2 Minifixator Standard Clamps and 2 Minifixator Compression-Distractor Nuts.

## 1. COMPONENTS/ REPLACEMENTS

1

### Minifixator Bodies

**98404000** Long (1 Long Bar and 1 Standard Bar; total length 87 mm).

**98403000** Standard (2 Standard Bars; total length 72 mm).

**98402000** Short (1 Standard Bar and 1 Short Bar; total length 62 mm).

2

**98411000** Minifixator Standard Clamps (1 pair)

3

**98410000** Minifixator L-Clamps (Left-Right)

4

**98413000** Minifixator Clamp Locking Screw

5

Minifixator Lengthening Bars complete with Spacer

**98417000** Long Length 120 mm.

**98416000** Standard Length 100 mm.

**98415000** Short Length 80 mm.

6

**98418000** Minifixator Spacer

Used in association with Compression-Distractor Nut, Lengthening Bar and Standard Clamp.

7

**98412000** Minifixator Compression-Distractor Nut

## 1. 组件/替换件

1

### 迷你支架体

**98404000** 长型, 1根长棒和标准棒, 总长度 87mm

**98403000** 标准型, 2根长棒, 总长度 72mm

**98402000** 短型, 1根标准棒和短棒, 总长度 62mm

2

**98411000** 迷你支架标准夹块 (1副)

3

**98410000** L型夹块 (左右)

4

**98413000** 夹块锁定螺钉

5

### 带垫圈的加长棒

**98417000** 长型, 长度 120mm

**98416000** 标准型, 长度 100mm

**98415000** 短型, 长度 80mm

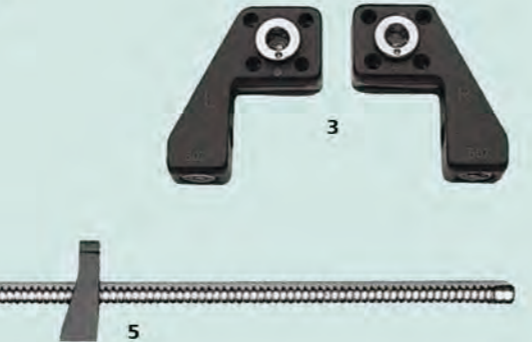
6

**98418000** 迷你支架垫圈

和调节螺母、加长棒以及标准夹块一起使用

7

**98412000** 调节螺母



## COMPONENTS/ REPLACEMENTS

8

**98426000** Threaded wires  $\varnothing$  2 mm (pack of 4) Total length 100 mm. Thread length 15 mm.

9

**98420000** Threaded wires  $\varnothing$  1.6 mm (pack of 4) Total length 70 mm. Thread length 15 mm.

## 组件/替换件

8

**98426000** 螺纹针,  $\varnothing$ 2mm (4根) 总长度 100mm, 螺纹长度 15mm

9

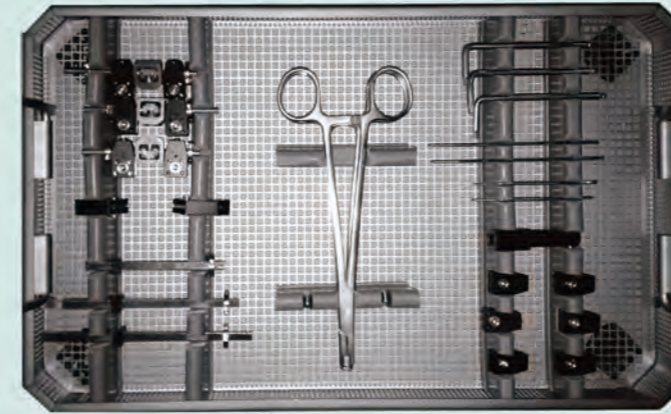
**98420000** 螺纹针,  $\varnothing$ 1.6mm (4根) 总长度 70mm, 螺纹长度 15mm

## 2. INSTRUMENTATION

- 1  
10019001 Allen Wrench 3 mm
- 2  
10011006 Minifixator Reduction Forceps (2 pairs)
- 3  
98442000 Threaded wire Extractor
- 4  
10011003 Wire Cutter  
10011004 Wire Cutter Re-use Kit  
Consisting of 2 blades and 2 rubbers  
(not illustrated).

## 2. 器械

- 1  
10019001 Ø3mm六角扳手
- 2  
10011006 复位钳 (2副)
- 3  
98442000 螺纹导针取出器
- 4  
10011003 剪针钳  
10011004 剪针钳再使用装置  
由2块刀片和2块橡胶构成 (无图)



## 3. STERILIZATION BOXES

- 1  
38001 Minifixator System  
Can accommodate:  
1x98402000 Minifixator Short Body  
1x98403000 Minifixator Standard Body  
1x98404000 Minifixator Long Body  
1x98415000 Minifixator Lengthening Bar Short complete with Spacer,length 80 mm  
1x98416000 Minifixator Lengthening Bar Standard complete with Spacer,length 100 mm  
1x98417000 Lengthening Bar Long complete with Spacer, length 120 mm  
1x98410000 Minifixator L-Clamps (Left-Right)  
3x98411000 Minifixator Standard Clamps (1 pairs)  
1x98442000 Threaded Wire Extractor  
2x10019001 Allen Wrench 3 mm  
1x10011006 Minifixator Reduct on Forceps (2 pair)  
3x98426000 Threaded Wires 2.0 mm, (pack of 4), total length 100 mm, thread length 15 mm  
2x98420000 Threaded Wires Ø 1.6 mm, (pack of 4), total length 70 mm, thread length 15 mm  
6x98412000 Minifixator Compression-Distractio Nut  
2x98413000 Minifixator Clamp Locking Screw

## 3. 消毒盒

- 1  
38001 迷你支架系统  
可包括:  
1 × 98402000 迷你支架短体  
1 × 98403000 迷你支架标准体  
1 × 98404000 迷你支架长体  
1 × 98415000 带垫圈的短型加长棒  
长度 80mm  
1 × 98416000 带垫圈的标准型加长棒  
长度 100mm  
1 × 98417000 带垫圈的长型加长棒  
长度 120mm  
1 × 98410000 L型夹块 (左右)  
3 × 98411000 标准夹块 (1对)  
1 × 98442000 螺纹针取出器  
2 × 10019001 Ø3mm六角扳手  
1 × 10011006 复位钳 (2副)  
3 × 98426000 2.0mm螺纹针 (4根)  
总长度100mm, 螺纹长度15mm  
2 × 98420000 Ø1.6mm螺纹针 (4根)  
总长度70mm, 螺纹长度15mm  
6 × 98412000 调节螺母  
2 × 98413000 迷你支架夹块锁定螺钉

# N. MINIRAIL SYSTEM

## N. 迷你导轨系统



### MiniRail Lengtheners

- 1  
**10103022 Long**  
 Allows lengthening up to 135.5 mm.
- 2  
**10103032 Standard**  
 Allows lengthening up to 57.5 mm.
- 3  
**10103042 Short**  
 Allows lengthening up to 32.5 mm.

### Articulated MiniRail Fixators

- 1  
**10103060 Horizontal Axis**  
 Allows articulation round an axis parallel to the bone screws.
- 2  
**10103050 Vertical Axis**  
 Allows articulation round an axis at vertical to the bone screws.
- 3  
**10153006 Multiplanar Axis**  
 Allows articulation round an axis at 90 degrees to the bone screws.

### 迷你导轨伸长器

- 1  
**10103022 长型** 可延长 135.5mm
- 2  
**10103032 标准型** 可延长 57.5mm
- 3  
**10103042 短型** 可延长 32.5mm

### 角度迷你夹块

- 1  
**10103060 水平轴** 围绕着平行于骨钉的轴转动
- 2  
**10103050 垂直轴** 围绕着垂直于骨钉的轴转动
- 3  
**10153006 多面轴** 围绕着与骨钉90° 夹角的轴转动

## 1. COMPONENTS/ REPLACEMENTS

- 1  
98104000 MiniRail Lengthener T-Clamp
- 2  
98138000 MiniRail Lengthener/Fixator  
Clamp Cover
- 3  
98132000 MiniRail Lengthener/Fixator  
Clamp Cover Screw

### 1. 组件/替换件

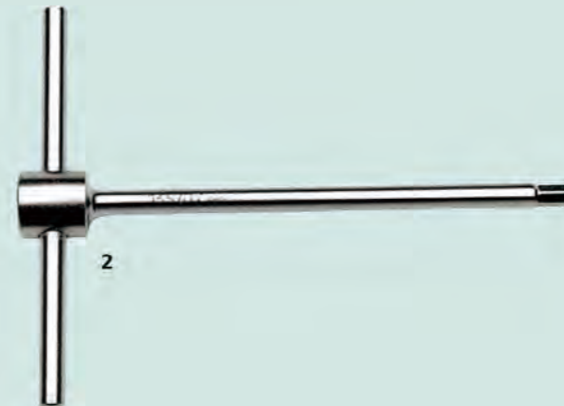
- 1  
98104000 迷你导轨伸长器T型夹块
- 2  
98138000 迷你导轨伸长器夹块套
- 3  
98132000 迷你导轨伸长器夹块套螺钉

## 2. INSTRUMENTATION

- 1  
10019001 Allen Wrench 3 mm
- 2  
10025005 T-Wrench  
For Clamp screws.
- 3  
10025006 T-Wrench  
For Bone screws.
- 4  
98442000 Threaded Wire Extractor

### 2. 器械

- 1  
10019001  $\varnothing$ 3mm六角扳手
- 2  
10025005 T型扳手  
用于夹块螺钉
- 3  
10025006 T型扳手  
用于骨针
- 4  
98442000 螺纹针取出器



## 3. STERILIZATION BOXES

- 1  
**39001 MiniRail System**  
Can accommodate:
- 1x10103032 MiniRail Standard Lengthener
  - 1x10103022 MiniRail Long Lengthener
  - 1x10103042 MiniRail Short Lengthener
  - 1x10103060 Articulated MiniRail Fixator -  
Horizontal Axis
  - 1x10103050 Articulated MiniRail Fixator -  
Vertical Axis
  - 1x10025006 T-Wrench for Bone Screws
  - 1x10025005 T-Wrench for Clamp Screws
  - 1x10019001 Allen Wrench 3mm
  - 1x98442000 Threaded Wire Extractor
  - 2x98104000 MiniRail Lengthener T-Clamp
  - 4x98300000 Self-drilling Cortical Screws  
shaft  $\varnothing$ 3mm,  
thread  $\varnothing$ 2.5-2mm,  
total length 40mm,  
thread length 15mm
  - 4x98301000 Self-drilling Cortical Screws  
shaft  $\varnothing$ 3 mm,  
thread  $\varnothing$ 2-2.5mm,  
total length 45mm,  
thread length 20mm
  - 1x98420000 Threaded Wires  $\varnothing$ 1.6mm  
(pack of 4),  
total length 70mm,  
thread length 15mm
  - 1x98426000 Threaded Wires  $\varnothing$ 2.0mm  
(pack of 4),  
total length 100mm,  
thread length 15mm

### 3. 消毒盒

- 1  
**39001 迷你导轨系统**  
可包括:
- 1 x 10103032 迷你导轨标准伸长器
  - 1 x 10103022 迷你导轨长型伸长器
  - 1 x 10103042 迷你导轨短型伸长器
  - 1 x 10103060 角度迷你导轨支架水平轴
  - 1 x 10103050 角度迷你导轨支架垂直轴
  - 1 x 10025006 用于骨针的T型扳手
  - 1 x 10025005 用于夹块螺钉的T型扳手
  - 1 x 10019001  $\varnothing$ 3mm六角扳手
  - 1 x 98442000 螺纹针取出器
  - 2 x 98104000 迷你导轨伸长器T型夹块
  - 4 x 98300000 自钻皮质钉  
杆 $\varnothing$ 3mm, 螺纹 $\varnothing$ 2-2.5mm,  
总长度40mm, 螺纹长度15mm
  - 4 x 98301000 自钻皮质钉  
杆 $\varnothing$ 3mm, 螺纹 $\varnothing$ 2-2.5mm,  
总长度45mm, 螺纹长度20mm
  - 1 x 98420000 螺纹针 $\varnothing$ 1.6mm (4根)  
总长度70mm, 螺纹长度15mm
  - 1 x 98426000 螺纹针 $\varnothing$ 2mm (4根)  
总长度100mm, 螺纹长度15mm



## O. BONE SCREWS O. 骨牵引针



### Product Features:

- 1 True 3D Fixation.
- 2 Surgery is easy and convenient, can be inserted pin without reduction.
- 3 Type-U groove enlarge contact area with osteo, fixation is stable.
- 4 Reduce losing conditions occur.

### 产品特点:

- 1 真正的三维固定。
- 2 手术操作简便，弹性快速方便使用，不需复位即可先插针。
- 3 U型螺纹凹槽增大与骨质接触面积，固定稳定。
- 4 手动插入减少局部骨质热损伤，减少松动的发生。


## 1. BONE SCREWS

1  
Cortical Screws  
Shaft  $\varnothing 6\text{mm}$   
Thread  $\varnothing 6.0\text{-}5.0\text{mm}$   
(Drill bit  $\varnothing 4.8\text{mm}$ ).



Total Length 总长度 (mm)	Thread length (mm) 螺纹长度						
	30	40	50	60	70	80	90
90	10160						
100	10162	10163					
110	10110	10100	10101				
120		10164					
130	10139	10114	10141				
150	10142	10165	10102	10111			
160			10143		10166		
170		10144		10145		10167	
180			10103	10112			
200			10115	10116			10168


2  
Cortical Screws  
Shaft  $\varnothing 6\text{mm}$   
Thread  $\varnothing 4.5\text{-}3.5\text{mm}$   
(Drill bit  $\varnothing 3.2\text{mm}$ ).



Total Length 总长度 (mm)	Thread length (mm) 螺纹长度		
	20	30	40
70	10190		
80	10191	10108	
100	10135	10136	10105
120	10137	10138	10106

3  
Cortical Screws  
Shaft  $\varnothing 6\text{mm}$   
Thread  $\varnothing 3.5\text{-}3.2\text{mm}$   
(Drill bit  $\varnothing 2.9\text{mm}$ ).

4  
Wrist Cortical Screws  
Shaft  $\varnothing 4\text{mm}$   
Thread  $\varnothing 3.3\text{-}3.0\text{mm}$   
(Drill bit  $\varnothing 2.7\text{mm}$ ).




Total Length 总长度 (mm)	Thread length (mm) 螺纹长度	
	20	30
70	10151	
80		10152

5  
Wrist Cortical Screws  
Shaft  $\varnothing 4\text{mm}$   
Thread  $\varnothing 3.0\text{-}2.5\text{mm}$   
(Drill bit  $\varnothing 2.0\text{mm}$ ).

## 1. 骨牵引针

1  
皮质骨骨牵引针  
杆 $\varnothing 6\text{mm}$   
螺纹 $\varnothing 5\text{-}6\text{mm}$   
钻头 $\varnothing 4.8\text{mm}$



Total Length 总长度 (mm)	Thread length (mm) 螺纹长度	
	20	35
70	35100	
80		35101

2  
皮质骨骨牵引针  
杆 $\varnothing 6\text{mm}$   
螺纹 $\varnothing 3.5\text{-}4.5\text{mm}$   
钻头 $\varnothing 3.2\text{mm}$



Total Length 总长度 (mm)	Thread length (mm) 螺纹长度	
	20	
70		35156

3  
皮质骨骨牵引针  
杆 $\varnothing 6\text{mm}$   
螺纹 $\varnothing 3.2\text{-}3.5\text{mm}$   
钻头 $\varnothing 2.9\text{mm}$

4  
腕关节皮质骨骨牵引针  
杆 $\varnothing 4\text{mm}$   
螺纹 $\varnothing 3\text{-}3.3\text{mm}$   
钻头 $\varnothing 2.7\text{mm}$

5  
腕关节皮质骨骨牵引针  
杆 $\varnothing 4\text{mm}$   
螺纹 $\varnothing 2.5\text{-}3\text{mm}$   
钻头 $\varnothing 2.0\text{mm}$

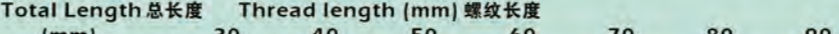
## 2. SELF-DRILLING BONE SCREWS

1  
Self-drilling Screws  
Shaft  $\varnothing 6\text{mm}$   
Thread  $\varnothing 6.0\text{-}5.6\text{mm}$



Total Length 总长度 (mm)	Thread length (mm) 螺纹长度						
	30	40	50	60	70	80	90
150	911530	911540	911550	911560	911570	911580	911590
260	912630	911640	911650	911660	911670	911680	911690

2  
Self-drilling Screws, Sterile  
Shaft  $\varnothing 6\text{mm}$   
Thread  $\varnothing 6.0\text{-}5.6\text{mm}$




Total Length 总长度 (mm)	Thread length (mm) 螺纹长度						
	30	40	50	60	70	80	90
150	99-911530	99-911540	99-911550	99-911560	99-911570	99-911580	99-911590
260	99-912630	99-911640	99-911650	99-911660	99-911670	99-911680	99-911690

3  
Self-drilling Cortical Screws  
Shaft  $\varnothing 6\text{mm}$   
Thread  $\varnothing 6.0\text{-}5.0\text{mm}$



Total Length 总长度 (mm)	Thread length (mm) 螺纹长度			
	40	50	60	80
150	10170	10113		
220	10172	10173	10104	
250				10178


4  
Self-drilling Cortical Screws  
Shaft  $\varnothing 6\text{mm}$   
Thread  $\varnothing 4.5\text{-}3.5\text{mm}$



Total Length 总长度 (mm)	Thread length (mm) 螺纹长度	
	40	60
120	10195	10196

5  
Wrist Self-drilling Cortical Screws  
Shaft  $\varnothing 4\text{mm}$   
Thread  $\varnothing 3.3\text{-}3.0\text{mm}$   
(Drill bit  $\varnothing 2.0\text{mm}$ ).

6  
Self-drilling Cortical Screws  
Shaft  $\varnothing 3\text{mm}$   
Thread  $\varnothing 3.0\text{-}2.5\text{mm}$   
For use with the M100 Range.



Total Length 总长度 (mm)	Thread length (mm) 螺纹长度	
	20	30
60	37100	
70		37101
100		37102

7  
Self-drilling Cortical Screws  
Shaft  $\varnothing 3\text{mm}$   
Thread  $\varnothing 2.5\text{-}2.0\text{mm}$   
For use with the M100 Range.



Total Length 总长度 (mm)	Thread length (mm) 螺纹长度			
	18	20	25	30
50	M310			
60		M311	M312	M313
70		M314	M315	M316
100				M317

## 2. 自钻骨牵引针

1  
自钻骨牵引针  
杆 $\varnothing 6\text{mm}$   
螺纹 $\varnothing 5.6\text{-}6\text{mm}$

2  
自钻骨牵引针, 无菌  
杆 $\varnothing 6\text{mm}$   
螺纹 $\varnothing 5.6\text{-}6\text{mm}$

3  
自钻皮质骨骨牵引针  
杆 $\varnothing 6\text{mm}$   
螺纹 $\varnothing 5\text{-}6\text{mm}$

4  
自钻皮质骨骨牵引针  
杆 $\varnothing 6\text{mm}$   
螺纹 $\varnothing 3.5\text{-}4.5\text{mm}$

5  
自钻皮质骨骨牵引针  
杆 $\varnothing 4\text{mm}$   
螺纹 $\varnothing 3\text{-}3.3\text{mm}$   
钻头 $\varnothing 2\text{mm}$


6  
自钻皮质骨骨牵引针  
杆 $\varnothing 3\text{mm}$   
螺纹 $\varnothing 2.5\text{-}3\text{mm}$   
和M100一起使用

7  
自钻皮质骨骨牵引针  
杆 $\varnothing 3\text{mm}$   
螺纹 $\varnothing 2\text{-}2.5\text{mm}$   
和M100一起使用

### 3. BONE SCREWS

#### (WITH HYDROXYAPATITE COATING)

1  
Cortical Screws, Sterile  
Shaft  $\varnothing$ 6mm  
Thread  $\varnothing$ 6.0-5.0mm  
(Drill bit  $\varnothing$ 4.8mm).



Total Length 总长度 (mm)	Thread length (mm) 螺纹长度						
	30	40	50	60	70	80	90
90	99-60160						
100	99-60162	99-60163					
110	99-60110	99-60100	99-60101				
120		99-60164					
130	99-60139	99-60114	99-60141				
150	99-60142	99-60165	99-60102	99-60111			
160			99-60143		99-60166		
170		99-60144		99-60145		99-60167	
180			99-60103	99-60112			
200			99-60115	99-60116			99-60168
220	99-60612	99-60613					
250			99-60614	99-60615			

2  
Cortical Screws, Sterile  
Shaft  $\varnothing$ 4mm  
Thread  $\varnothing$ 3.3-3.0mm  
(Drill bit  $\varnothing$ 2.7mm).

#### 3. 骨牵引针(带有羟基磷灰石涂料)

1  
羟基磷灰石皮质骨骨牵引针, 无菌  
杆 $\varnothing$ 6mm  
螺纹 $\varnothing$ 5-6mm  
钻头 $\varnothing$ 4.8mm




Total Length 总长度 (mm)	Thread length (mm) 螺纹长度	
	20	35
70	99-65100	
80		99-65101

2  
羟基磷灰石皮质骨骨牵引针, 无菌  
杆 $\varnothing$ 4mm  
螺纹 $\varnothing$ 3-3.3mm  
钻头 $\varnothing$ 2.7mm

### 4. SELF-DRILLING BONE SCREWS

#### (WITH HYDROXYAPATITE COATING)

1  
Self-drilling Cortical Screws, Sterile  
Shaft  $\varnothing$ 6mm  
Thread  $\varnothing$ 6.0-5.0mm



Total Length 总长度 (mm)	Thread length (mm) 螺纹长度						
	30	40	50	60	70	80	90
150				99-60146			
160					99-60147		
170						99-60148	
180							99-60149
220	99-60171	99-60172	99-60173				
250	99-60174						

2  
Bone Screws, Sterile  
Shaft  $\varnothing$ 6mm  
Thread  $\varnothing$ 6.0-5.6mm

#### 4. 自钻骨牵引针(带有羟基磷灰石涂料)

1  
羟基磷灰石自钻皮质骨骨牵引针, 无菌  
杆 $\varnothing$ 6mm  
螺纹 $\varnothing$ 5-6mm

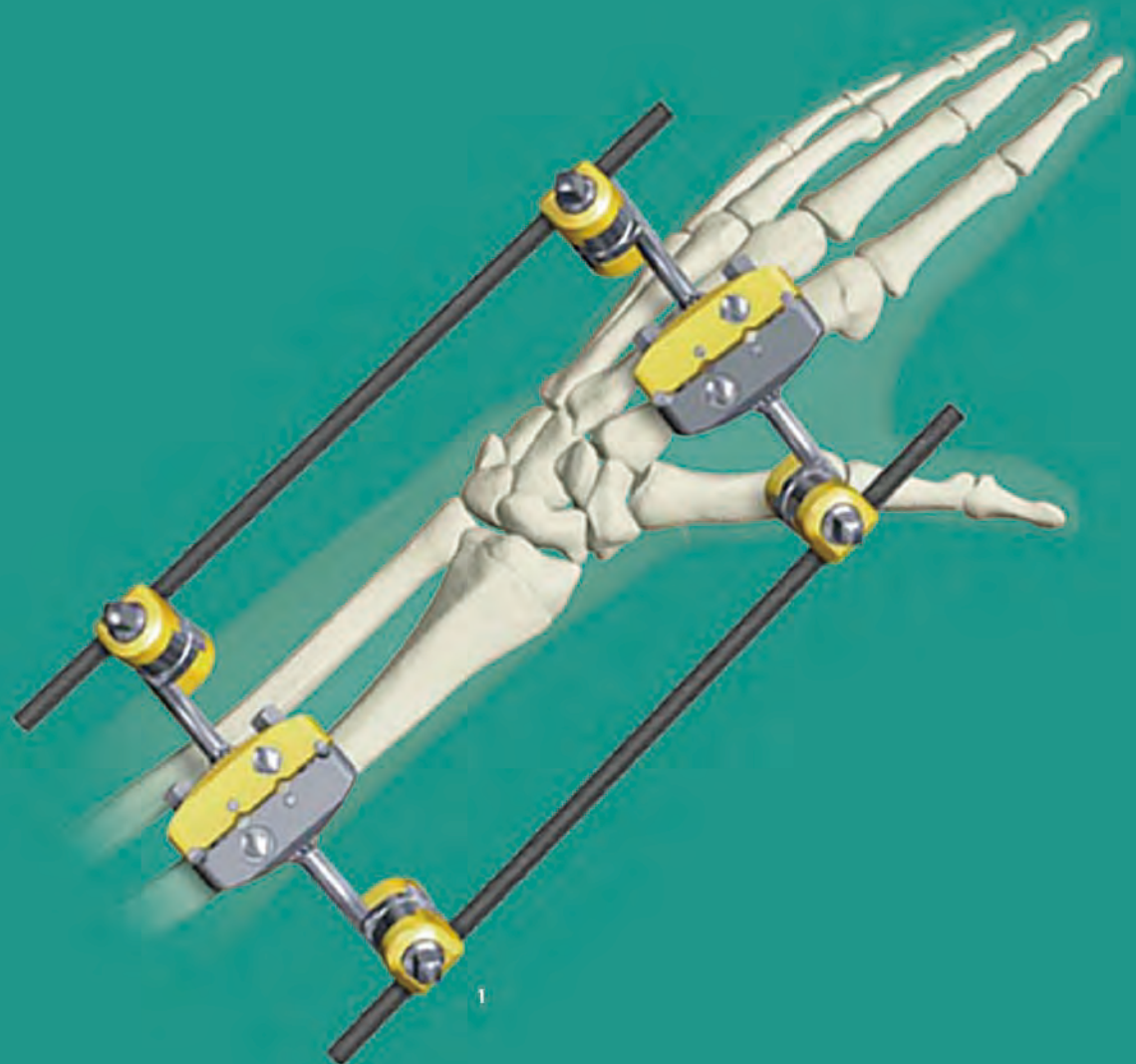


Total Length 总长度 (mm)	Thread length (mm) 螺纹长度						
	30	40	50	60	70	80	90
150	99-611530	99-611540	99-611550	99-611560	99-611570	99-611580	99-611590
260	99-612630	99-611640	99-611650	99-611660	99-611670	99-611680	99-611690

2  
羟基磷灰石骨牵引针, 无菌  
(用于PEEK支架)  
杆 $\varnothing$ 6mm  
螺纹 $\varnothing$ 5.6-6mm

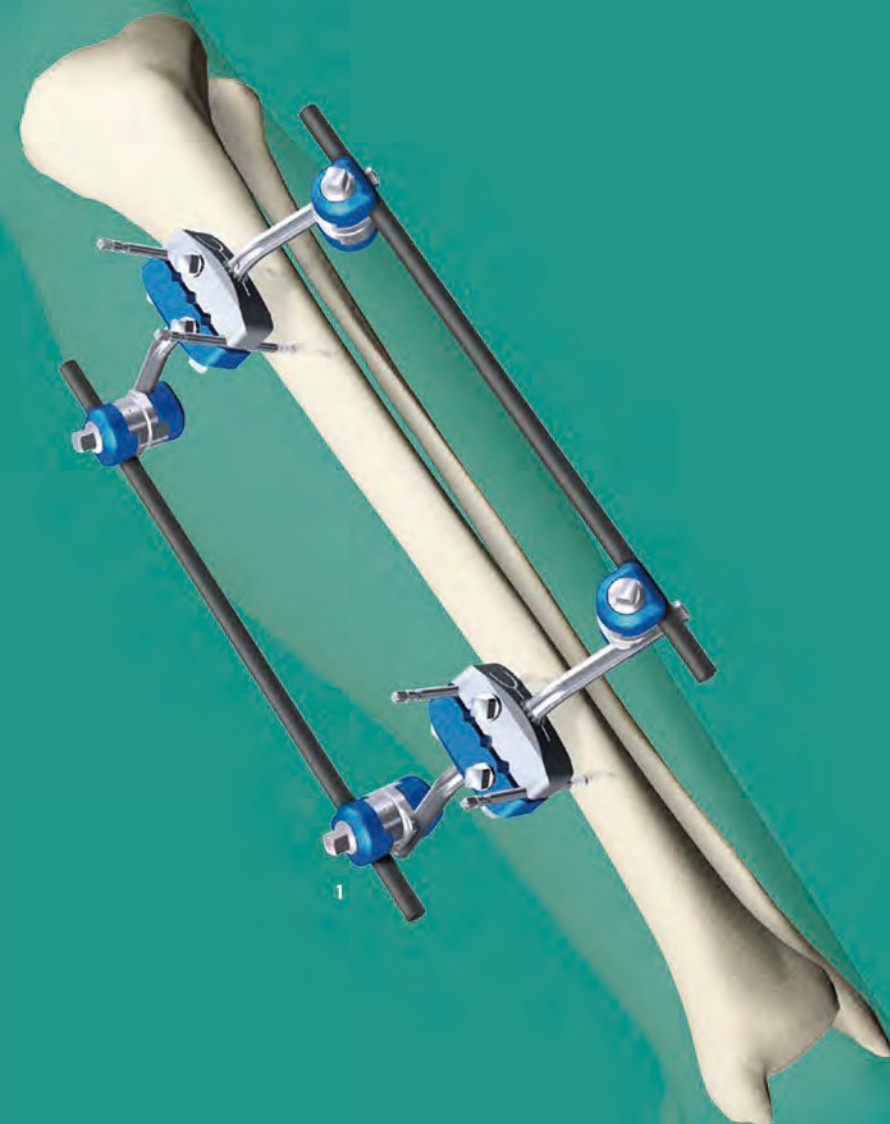
# P. ST EXTERNAL FIXATION SYSTEM

## P. ST 外固定支架系统



1  
30100102 Distal Radius Fixator I

1  
30100102 桡骨远端支架 I



1  
30400202 Tibial Midpiece Fixator

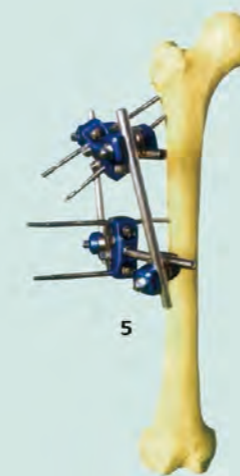
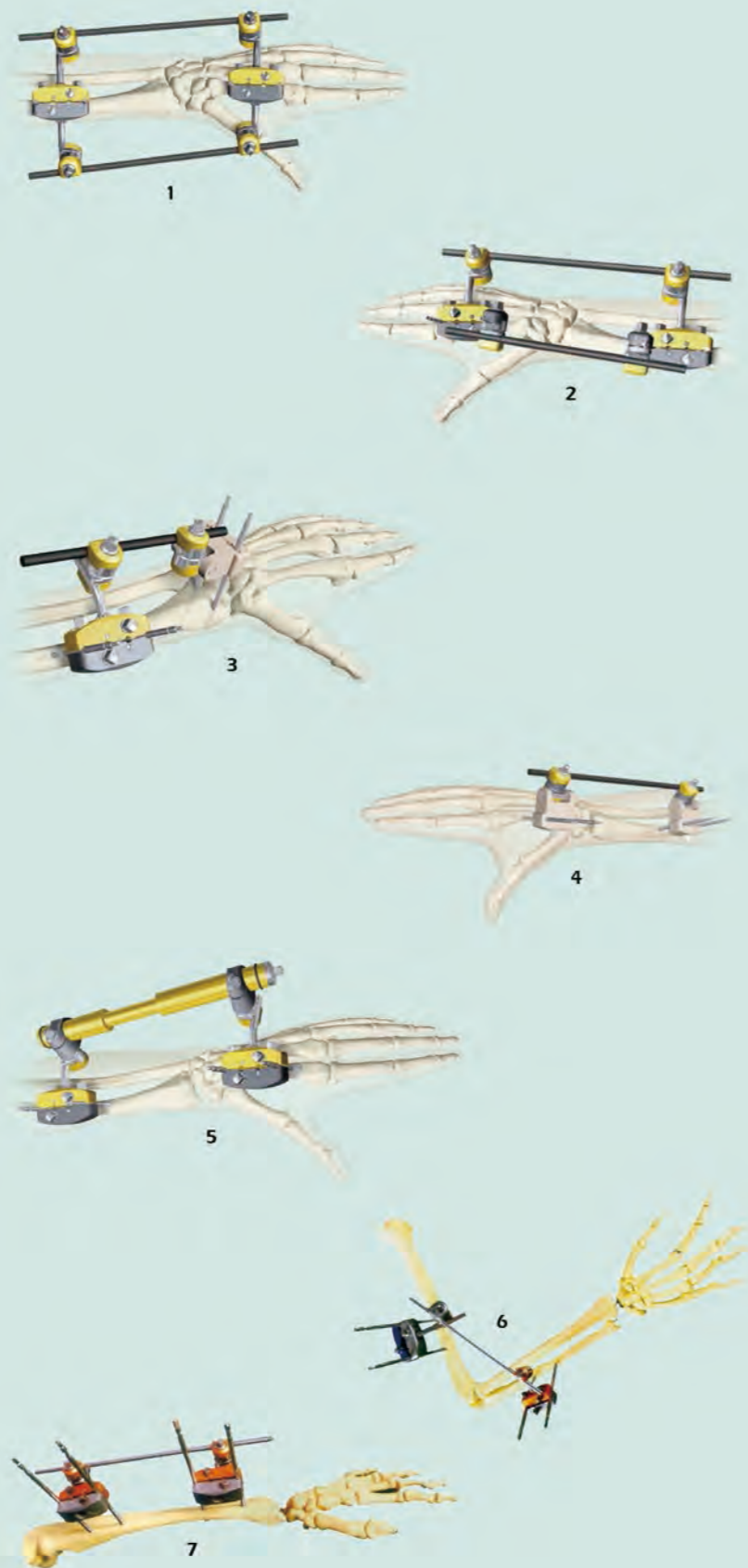
1  
30400202 胫骨中段固定

## 1. FRAME EXAMPLES

- 1 30100102 Distal Radius Fixator I
- 2 30100103 Distal Radius Fixator II
- 3 30100101 Radius Joint Fixator
- 4 30100104 Distal Radius Fixator III
- 5 30100105 Distal Radius Fixator IV
- 6 30100300 Elbow Joint Fixator
- 7 30100200 Forearm Fixator

## 1. 支架范例

- 1 30100102 桡骨远端支架 I
- 2 30100103 桡骨远端支架 II
- 3 30100101 桡骨关节端固定
- 4 30100104 桡骨远端支架 III
- 5 30100105 桡骨远端支架 IV
- 6 30100300 肘关节支架
- 7 30100200 前臂支架



## 1. FRAME EXAMPLES

- 1 30100400 Humerus Shaft Fixator
- 2 30100500 Proximal Humerus Fixator
- 3 30300100 Femoral Shaft Fixator I
- 4 30300200 Femoral Shaft Fixator II
- 5 30300300 Proximal Femur Fixator
- 6 30400101 Knee Joint Fixator I

## 1. 支架范例

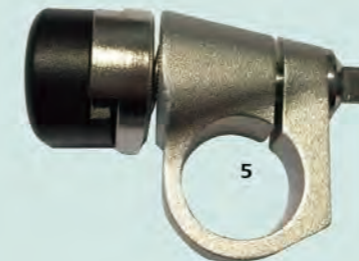
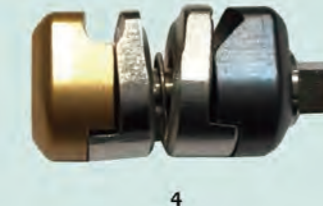
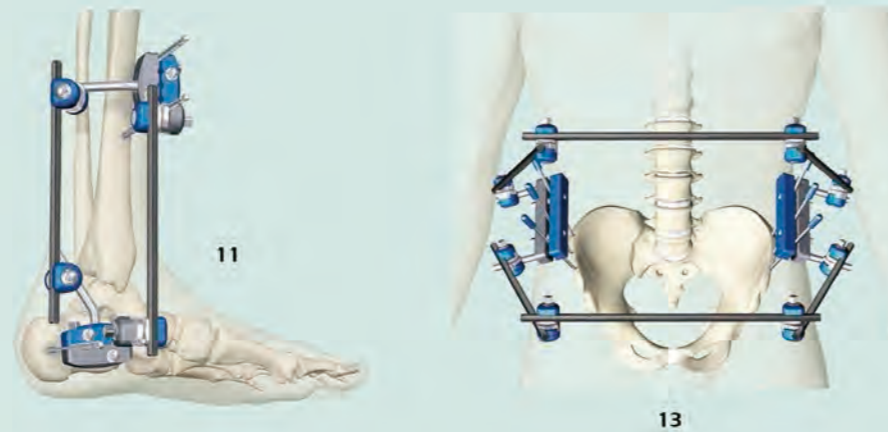
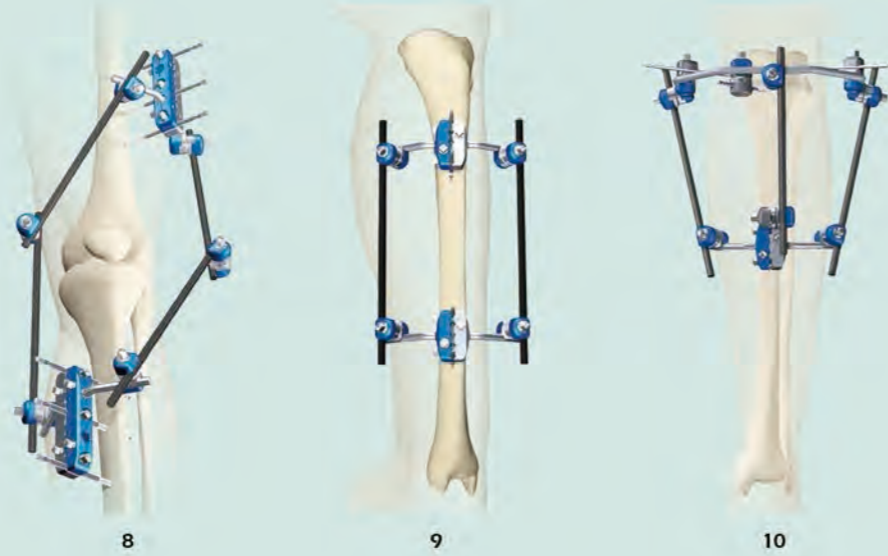
- 1 30100400 肱骨干支架
- 2 30100500 肱骨近端支架
- 3 30300100 股骨干支架 I
- 4 30300200 股骨干支架 II
- 5 30300300 股骨近端支架
- 6 30400101 膝关节固定 I

## FRAME EXAMPLES

- 8  
30400102 Knee Joint Fixator II
- 9  
30400202 Tibial Midpiece Fixator
- 10  
30400201 Proximal Tible Fixator
- 11  
30400400 Ankle Fuston Joint Fixator
- 12  
30400300 Ankle Joint Fixator
- 13  
30200101 Pelvic Fixator I
- 14  
30200102 Pelvic Fixator II

## 支架范例

- 8  
30400102 膝关节固定 II
- 9  
30400202 胫骨中段固定
- 10  
30400201 胫骨近端支架
- 11  
30400400 踝关节融合
- 12  
30400300 踝关节固定
- 13  
30200101 骨盆支架 I
- 14  
30200102 骨盆支架 II



## 2. COMPONENTS

- 1  
**4-Hole Pin Clamp**  
30010001 Aluminium  
30010002 Titanium  
for  $\Phi 3\text{mm}$  and  $\Phi 6\text{mm}$  pins
- 2  
**Peri-Articular Pin Clamp**  
30010007 Aluminium  
30010008 PEEK  
for  $\Phi 3\text{mm}$  pins
- 3  
**Rod to Rod Coupling**  
30020013 Aluminium  
30020014 Titanium  
for  $\Phi 5\text{mm}$  rods or posts
- 4  
**Pin to Rod Coupling**  
30020005 Aluminium  
30020006 Titanium  
for  $\Phi 5\text{mm}$  rods or posts/ $\Phi 3\text{-}4\text{mm}$  pins
- 5  
**Tube to Rod Coupling**  
30020009 Aluminium  
30020010 Titanium  
for  $\Phi 15\text{mm}$  tube/ $\Phi 5\text{mm}$  rods or posts
- 6  
**30040002 Straight Post**  
 $\Phi 5\text{mm}$
- 7  
**30040004 30° Angled Post**  
 $\Phi 5\text{mm}$

## 2. 组件

- 1  
**30010001 4孔针夹块** 铝合金  
**30010002 4孔针夹块** 钛合金  
用于  $\Phi 3\text{mm}$ 和  $4\text{mm}$ 针
- 2  
**30010007 近关节端针夹块** 铝合金  
**30010008 近关节端针夹块** PEEK  
用于  $\Phi 3\text{mm}$ 针
- 3  
**30020013 杆杆连接夹** 铝合金  
**30020014 杆杆连接夹** 钛合金  
用于  $\Phi 5\text{mm}$ 杆或支柱
- 4  
**30020005 针杆连接夹** 铝合金  
**30020006 针杆连接夹** 钛合金  
用于  $\Phi 5\text{mm}$ 杆或支柱/ $\Phi 3\text{-}4\text{mm}$ 针
- 5  
**30020009 管杆连接夹** 铝合金  
**30020010 管杆连接夹** 钛合金  
用于  $\Phi 15\text{mm}$ 管/ $\Phi 5\text{mm}$ 杆或支柱
- 6  
**30040002 直支柱**  
 $\Phi 5\text{mm}$
- 7  
**30040004 30° 角度支柱**  
 $\Phi 5\text{mm}$

## COMPONENTS

### Ø5mm Connecting Rod

9

**61005065** Carbon Connecting Rod 65mm  
**61005100** Carbon Connecting Rod 100mm  
**61005150** Carbon Connecting Rod 150mm  
**61005200** Carbon Connecting Rod 200mm  
**61005250** Carbon Connecting Rod 250mm  
**61005300** Carbon Connecting Rod 300mm

10

**62005065** Aluminium Connecting Rod 65mm  
**62005100** Aluminium Connecting Rod 100mm  
**62005150** Aluminium Connecting Rod 150mm  
**62005200** Aluminium Connecting Rod 200mm  
**62005250** Aluminium Connecting Rod 250mm  
**62005300** Aluminium Connecting Rod 300mm

11

**Compression/Distraktion Tube**  
**30030003** Aluminium  
**30030004** Titanium

## 组件

### Ø5mm连接杆

9

**61005065** 碳纤维连接杆 65mm  
**61005100** 碳纤维连接杆 100mm  
**61005150** 碳纤维连接杆 150mm  
**61005200** 碳纤维连接杆 200mm  
**61005250** 碳纤维连接杆 250mm  
**61005300** 碳纤维连接杆 300mm

10

**62005065** 铝合金连接杆 65mm  
**62005100** 铝合金连接杆 100mm  
**62005150** 铝合金连接杆 150mm  
**62005200** 铝合金连接杆 200mm  
**62005250** 铝合金连接杆 250mm  
**62005300** 铝合金连接杆 300mm

11

**30030003** 直型延长杆 铝合金  
**30030004** 直型延长杆 钛合金



9



10



11

## COMPONENTS

12

**Ø3mm Self Drilling / Self Tapping Pins**  
**70430060** Total Length 60mm, Thread Length 10mm  
**70430080** Total Length 80mm, Thread Length 10mm  
**70431080** Total Length 80mm, Thread Length 15mm  
**70432080** Total Length 80mm, Thread Length 20mm  
**70430110** Total Length 110mm, Thread Length 10mm  
**70431110** Total Length 110mm, Thread Length 25mm

13

**Ø4mm Self Drilling / Self Tapping Pins**  
**70440090** Total Length 90mm, Thread Length 10mm  
**70441090** Total Length 90mm, Thread Length 20mm  
**70442090** Total Length 90mm, Thread Length 30mm  
**70440120** Total Length 120mm, Thread Length 30mm  
**70441120** Total Length 120mm, Thread Length 35mm  
**70440150** Total Length 150mm, Thread Length 40mm  
**70441150** Total Length 150mm, Thread Length 50mm  
**70440180** Total Length 180mm, Thread Length 40mm  
**70441180** Total Length 180mm, Thread Length 50mm

## 组件

12

**Ø3mm 自攻自钻骨牵引针**  
**70430060** 总长度 60mm, 螺纹长度 10mm  
**70430080** 总长度 80mm, 螺纹长度 10mm  
**70431080** 总长度 80mm, 螺纹长度 15mm  
**70432080** 总长度 80mm, 螺纹长度 20mm  
**70430110** 总长度 110mm, 螺纹长度 10mm  
**70431110** 总长度 110mm, 螺纹长度 25mm

13

**Ø4mm 自攻自钻骨牵引针**  
**70440090** 总长度 90mm, 螺纹长度 10mm  
**70441090** 总长度 90mm, 螺纹长度 20mm  
**70442090** 总长度 90mm, 螺纹长度 30mm  
**70440120** 总长度 120mm, 螺纹长度 30mm  
**70441120** 总长度 120mm, 螺纹长度 35mm  
**70440150** 总长度 150mm, 螺纹长度 40mm  
**70441150** 总长度 150mm, 螺纹长度 50mm  
**70440180** 总长度 180mm, 螺纹长度 40mm  
**70441180** 总长度 180mm, 螺纹长度 50mm



12



13

## COMPONENTS

14

## Ø3mm Blunt Pins

70630060 Total Length 60mm, Thread Length 10mm  
 70630080 Total Length 80mm, Thread Length 10mm  
 70631080 Total Length 80mm, Thread Length 15mm  
 70632080 Total Length 80mm, Thread Length 20mm  
 70630110 Total Length 110mm, Thread Length 10mm  
 70631110 Total Length 110mm, Thread Length 25mm

15

## Ø4mm Blunt Pins

70040090 Total Length 90mm, Thread Length 10mm  
 70041090 Total Length 90mm, Thread Length 20mm  
 70042090 Total Length 90mm, Thread Length 30mm  
 70040120 Total Length 120mm, Thread Length 30mm  
 70041120 Total Length 120mm, Thread Length 35mm  
 70040150 Total Length 150mm, Thread Length 40mm  
 70041150 Total Length 150mm, Thread Length 50mm  
 70040180 Total Length 180mm, Thread Length 40mm  
 70041180 Total Length 180mm, Thread Length 50mm

## 组件

12

## Ø3mm 钝头针

70630060 总长度 60mm, 螺纹长度 10mm  
 70630080 总长度 80mm, 螺纹长度 10mm  
 70631080 总长度 80mm, 螺纹长度 15mm  
 70632080 总长度 80mm, 螺纹长度 20mm  
 70630110 总长度 110mm, 螺纹长度 10mm  
 70631110 总长度 110mm, 螺纹长度 25mm

13

## Ø4mm 钝头针

70040090 总长度 90mm, 螺纹长度 10mm  
 70041090 总长度 90mm, 螺纹长度 20mm  
 70042090 总长度 90mm, 螺纹长度 30mm  
 70040120 总长度 120mm, 螺纹长度 30mm  
 70041120 总长度 120mm, 螺纹长度 35mm  
 70040150 总长度 150mm, 螺纹长度 40mm  
 70041150 总长度 150mm, 螺纹长度 50mm  
 70040180 总长度 180mm, 螺纹长度 40mm  
 70041180 总长度 180mm, 螺纹长度 50mm



14



15



2



3



4



5



6



7

## COMPONENTS

1

## 5-Hole Pin Clamp

30010003 Aluminium  
 30010004 Titanium  
 for Ø4mm, Ø5mm, and Ø6mm pins

2

## 10-Hole Pin Clamp

30010005 Aluminium  
 30010006 Titanium  
 for Ø4mm, Ø5mm, and Ø6mm pins

3

## Pelvic Clamp

30010009 Aluminium  
 30010010 Titanium  
 for Ø4mm, Ø5mm, and Ø6mm pins

4

## Rod to Rod Coupling

30020011 Aluminium  
 30020012 Titanium  
 for Ø8mm rods or posts

5

## Pin to Rod Coupling

30020003 Aluminium  
 30020004 Titanium  
 for Ø4-5mm pins/Ø8mm rods or posts

6

## Inverted Pin to Rod Coupling

30020001 Aluminium  
 30020002 Titanium  
 for Ø4-5mm pins/Ø8mm rods or posts

7

## Tube to Rod Coupling

30020007 Aluminium  
 30020008 Titanium  
 for Ø20mm tubes/Ø8mm rods or posts

## 组件

1

30010003 5孔针夹块 铝合金  
 30010004 5孔针夹块 钛合金  
 用于Ø4, Ø5, Ø6mm针

2

30010005 10孔针夹块 铝合金  
 30010006 10孔针夹块 钛合金  
 用于Ø4, Ø5, Ø6mm针

3

30010009 骨盆夹块 铝合金  
 30010010 骨盆夹块 钛合金  
 用于Ø4, Ø5, Ø6mm针

4

30020011 杆杆连接夹 铝合金  
 30020012 杆杆连接夹 钛合金  
 用于Ø8mm杆或支柱

5

30020003 针杆连接夹 铝合金  
 30020004 针杆连接夹 钛合金  
 用于Ø4-5mm针/Ø8mm杆或支柱

6

30020001 反转针杆连接夹 铝合金  
 30020002 反转针杆连接夹 钛合金  
 用于Ø4-5mm针/Ø8mm杆或支柱

7

30020007 管杆连接夹 铝合金  
 30020008 管杆连接夹 钛合金  
 用于Ø20mm管/Ø8mm杆或支柱



## COMPONENTS

- 8  
30040001 Straight Post  
Ø8mm
- 9  
30040003 30°Angled Post  
Ø8mm
- 10  
30040005 90°Angled Post  
Ø8mm

## 组件

- 8  
30040001 直支柱  
Ø8mm
- 9  
30040003 30° 角度支柱  
Ø8mm
- 10  
30040005 90° 角度支柱  
Ø8mm



8



10



9



11



12

## COMPONENTS

- Ø8mm Connecting Rod**
- 11  
61008065  
Carbon Connecting Rod 65mm  
61008100  
Carbon Connecting Rod 100mm  
61008150  
Carbon Connecting Rod 150mm  
61008200  
Carbon Connecting Rod 200mm  
61008250  
Carbon Connecting Rod 250mm  
61008300  
Carbon Connecting Rod 300mm  
61008350  
Carbon Connecting Rod 350mm  
61008400  
Carbon Connecting Rod 400mm  
61008450  
Carbon Connecting Rod 450mm  
61008500  
Carbon Connecting Rod 500mm
- 12  
62008065  
Aluminium Connecting Rod 65mm  
62008100  
Aluminium Connecting Rod 100mm  
62008150  
Aluminium Connecting Rod 150mm  
62008200  
Aluminium Connecting Rod 200mm  
62008250  
Aluminium Connecting Rod 250mm  
62008300  
Aluminium Connecting Rod 300mm  
62008350  
Aluminium Connecting Rod 350mm  
62008400  
Aluminium Connecting Rod 400mm  
62008450  
Aluminium Connecting Rod 450mm  
62008500  
Aluminium Connecting Rod 500mm

## 组件

- Ø8mm连接杆**
- 11  
61008065 碳纤维连接杆 65mm  
61008100 碳纤维连接杆 100mm  
61008150 碳纤维连接杆 150mm  
61008200 碳纤维连接杆 200mm  
61008250 碳纤维连接杆 250mm  
61008300 碳纤维连接杆 300mm  
61008350 碳纤维连接杆 350mm  
61008400 碳纤维连接杆 400mm  
61008450 碳纤维连接杆 450mm  
61008500 碳纤维连接杆 500mm
- 12  
62008065 铝合金连接杆 65mm  
62008100 铝合金连接杆 100mm  
62008150 铝合金连接杆 150mm  
62008200 铝合金连接杆 200mm  
62008250 铝合金连接杆 250mm  
62008300 铝合金连接杆 300mm  
62008350 铝合金连接杆 350mm  
62008400 铝合金连接杆 400mm  
62008450 铝合金连接杆 450mm  
62008500 铝合金连接杆 500mm

## COMPONENTS

- 13**  
**60008065** Stainless Steel Connecting Rod 65mm  
**60008100** Stainless Steel Connecting Rod 100mm  
**60008150** Stainless Steel Connecting Rod 150mm  
**60008200** Stainless Steel Connecting Rod 200mm  
**60008250** Stainless Steel Connecting Rod 250mm  
**60008300** Stainless Steel Connecting Rod 300mm  
**60008350** Stainless Steel Connecting Rod 350mm  
**60008400** Stainless Steel Connecting Rod 400mm  
**60008450** Stainless Steel Connecting Rod 450mm  
**60008500** Stainless Steel Connecting Rod 500mm

- 14**  
**65000160** Small Semi-Circular Curved Rod-Aluminium 160mm(L)  
**65000180** Medium Semi-Circular Curved Rod-Aluminium 180mm(L)  
**65000200** Large Semi-Circular Curved Rod-Aluminium 200mm(L)

- 15**  
**Compression/Distracton Tube**  
**30030001** Aluminium  
**30030002** Titanium

## 组件

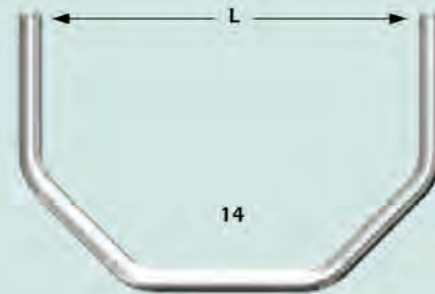
- 13**  
**60008065** 不锈钢连接杆 65mm  
**60008100** 不锈钢连接杆 100mm  
**60008150** 不锈钢连接杆 150mm  
**60008200** 不锈钢连接杆 200mm  
**60008250** 不锈钢连接杆 250mm  
**60008300** 不锈钢连接杆 300mm  
**60008350** 不锈钢连接杆 350mm  
**60008400** 不锈钢连接杆 400mm  
**60008450** 不锈钢连接杆 450mm  
**60008500** 不锈钢连接杆 500mm

- 14**  
**65000160** 小号半环形铝棒 160mm (L)  
**65000180** 中号半环形铝棒 180mm (L)  
**65000200** 大号半环形铝棒 200mm (L)

- 15**  
**30030001** 直型延长杆 铝合金  
**30030002** 直型延长杆 钛合金



13



14



15



16



17



18

## COMPONENTS

- 16**  
**Ø5mm Self Drilling / Self Tapping Pins**  
**70450120** Total Length 120mm, Thread Length 30mm  
**70451120** Total Length 120mm, Thread Length 35mm  
**70450150** Total Length 150mm, Thread Length 40mm  
**70451150** Total Length 150mm, Thread Length 50mm  
**70450180** Total Length 180mm, Thread Length 35mm  
**70451180** Total Length 180mm, Thread Length 50mm  
**70452180** Total Length 180mm, Thread Length 60mm  
**70450200** Total Length 200mm, Thread Length 50mm  
**70451200** Total Length 200mm, Thread Length 60mm  
**70450250** Total Length 250mm, Thread Length 50mm  
**70451250** Total Length 250mm, Thread Length 70mm

- 17**  
**Ø6mm Self Drilling / Self Tapping Pins**  
**70460150** Total Length 150mm, Thread Length 50mm  
**70460180** Total Length 180mm, Thread Length 60mm  
**70460200** Total Length 200mm, Thread Length 70mm  
**70460250** Total Length 250mm, Thread Length 80mm

- 18**  
**Cancellous Pins Ø6.0/5.0mm**  
**70160120** Total Length 120mm, Thread Length 35mm  
**70160150** Total Length 150mm, Thread Length 40mm  
**70161150** Total Length 250mm, Thread Length 50mm  
**70160180** Total Length 180mm, Thread Length 60mm  
**70160250** Total Length 250mm, Thread Length 70mm

## 组件

- 16**  
**Ø5mm 自攻自钻骨牵引针**  
**70450120** 总长度 120mm, 螺纹长度 30mm  
**70451120** 总长度 120mm, 螺纹长度 35mm  
**70450150** 总长度 150mm, 螺纹长度 40mm  
**70451150** 总长度 150mm, 螺纹长度 50mm  
**70450180** 总长度 180mm, 螺纹长度 35mm  
**70451180** 总长度 180mm, 螺纹长度 50mm  
**70452180** 总长度 180mm, 螺纹长度 60mm  
**70450200** 总长度 200mm, 螺纹长度 50mm  
**70451200** 总长度 200mm, 螺纹长度 60mm  
**70450250** 总长度 250mm, 螺纹长度 50mm  
**70451250** 总长度 250mm, 螺纹长度 70mm

- 17**  
**Ø6mm 自攻自钻骨牵引针**  
**70460150** 总长度 150mm, 螺纹长度 50mm  
**70460180** 总长度 180mm, 螺纹长度 60mm  
**70460200** 总长度 200mm, 螺纹长度 70mm  
**70460250** 总长度 250mm, 螺纹长度 80mm

- 18**  
**松质骨针, 螺纹Ø6.0mm, 杆Ø5.0mm**  
**70160120** 总长度 120mm, 螺纹长度 35mm  
**70160150** 总长度 150mm, 螺纹长度 40mm  
**70161150** 总长度 250mm, 螺纹长度 50mm  
**70160180** 总长度 180mm, 螺纹长度 60mm  
**70160250** 总长度 250mm, 螺纹长度 70mm

## COMPONENTS

19

### Ø5mm Blunt Pins

70050120 Total Length 120mm, Thread Length 30mm  
 70051120 Total Length 120mm, Thread Length 35mm  
 70050150 Total Length 150mm, Thread Length 40mm  
 70051150 Total Length 150mm, Thread Length 50mm  
 70050180 Total Length 180mm, Thread Length 50mm  
 70051180 Total Length 180mm, Thread Length 60mm  
 70050200 Total Length 200mm, Thread Length 50mm  
 70051200 Total Length 200mm, Thread Length 60mm  
 70050250 Total Length 250mm, Thread Length 50mm  
 70051250 Total Length 250mm, Thread Length 70mm

20

### Ø6mm Blunt Pins

70060150 Total Length 150mm, Thread Length 50mm  
 70060180 Total Length 180mm, Thread Length 60mm  
 70060200 Total Length 200mm, Thread Length 70mm  
 70060250 Total Length 250mm, Thread Length 80mm

21

### Transfixing Pins Ø5.0/4.0mm

70250200 Total Length 200mm, Thread Length 35mm  
 70251200 Total Length 200mm, Thread Length 40mm  
 70252200 Total Length 200mm, Thread Length 50mm  
 70250250 Total Length 250mm, Thread Length 35mm  
 70251250 Total Length 250mm, Thread Length 40mm  
 70252250 Total Length 250mm, Thread Length 50mm  
 70253250 Total Length 250mm, Thread Length 60mm  
 70250300 Total Length 300mm, Thread Length 40mm  
 70251300 Total Length 300mm, Thread Length 50mm  
 70252300 Total Length 300mm, Thread Length 70mm

## 组件

19

### Ø5mm 钝头针

70050120 总长度 120mm, 螺纹长度 30mm  
 70051120 总长度 120mm, 螺纹长度 35mm  
 70050150 总长度 150mm, 螺纹长度 40mm  
 70051150 总长度 150mm, 螺纹长度 50mm  
 70050180 总长度 180mm, 螺纹长度 50mm  
 70051180 总长度 180mm, 螺纹长度 60mm  
 70050200 总长度 200mm, 螺纹长度 50mm  
 70051200 总长度 200mm, 螺纹长度 60mm  
 70050250 总长度 250mm, 螺纹长度 50mm  
 70051250 总长度 250mm, 螺纹长度 70mm

20

### Ø6mm 钝头针

70060150 总长度 150mm, 螺纹长度 50mm  
 70060180 总长度 180mm, 螺纹长度 60mm  
 70060200 总长度 200mm, 螺纹长度 70mm  
 70060250 总长度 250mm, 螺纹长度 80mm



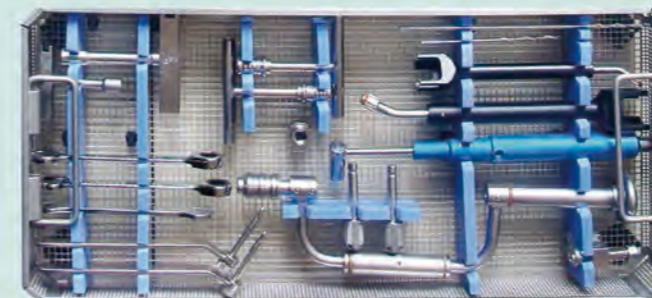
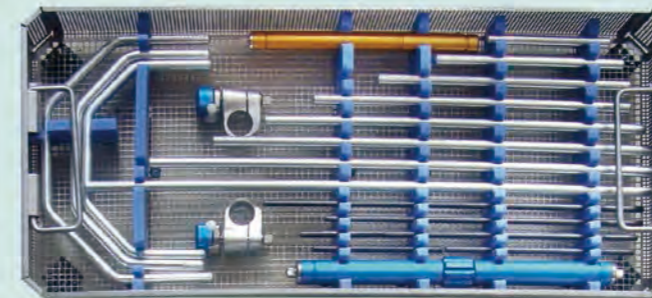
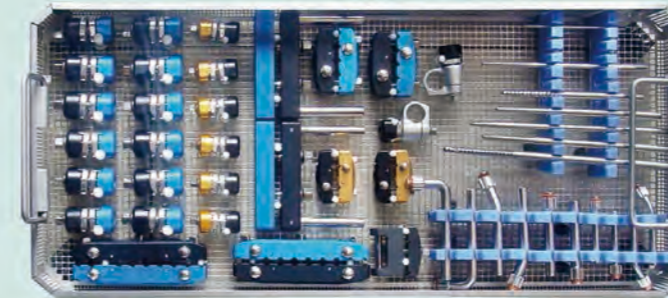
19



20



21



## 组件

21

### 穿刺针, 螺纹Ø5mm, 杆Ø4mm

70250200 总长度 200mm, 螺纹长度 35mm  
 70251200 总长度 200mm, 螺纹长度 40mm  
 70252200 总长度 200mm, 螺纹长度 50mm  
 70250250 总长度 250mm, 螺纹长度 35mm  
 70251250 总长度 250mm, 螺纹长度 40mm  
 70252250 总长度 250mm, 螺纹长度 50mm  
 70253250 总长度 250mm, 螺纹长度 60mm  
 70250300 总长度 300mm, 螺纹长度 40mm  
 70251300 总长度 300mm, 螺纹长度 50mm  
 70252300 总长度 300mm, 螺纹长度 70mm

## 3. INSTRUMENTATION

### 31100000 Whole Set

1x31100014 Container  
 1x31100015 Upper Tray-Clamps  
 1x31100016 Middle Tray-Rods  
 1x31100017 Lower Tray-Instruments  
 1x31100003 Spanner, 5mm  
 1x31100013 Spanner, 7mm  
 1x31100018 Screw Guide(Small)  
 1x31100019 Screw Guide(Large)  
 1x31100020 Pressurizer  
 1x31100021 Hand Drill  
 1x31100022 Ø5mm Quick Coupling  
 1x31100023 Ø4mm Quick Coupling  
 1x31100024 Torque Wrench  
 1x31100001 Ø8mm Reduction Wrench  
 1x31100010 Ø5mm Reduction Wrench  
 1x31100025 Ø3.0mm Drill bit  
 1x31100026 Ø3.8mm Drill bit  
 1x31100002 Thumbwheel  
 1x31100027 Ø5mm T-Wrench  
 1x31100028 Ø7mm T-Wrench  
 1x31100029 Ø4mm T Quick Coupling  
 1x31100030 Ø5mm T Quick Coupling

## 3. 器械

### 31100000 器械整包+植入物

1x31100014 器械空盒  
 1x31100015 托盘 上 夹块  
 1x31100016 托盘 中 棒  
 1x31100017 托盘 下 器械  
 1x31100003 5mm 开口扳手  
 1x31100013 7mm 开口扳手  
 1x31100018 螺纹针导向 (小)  
 1x31100019 螺纹针导向 (大)  
 1x31100020 加压器  
 1x31100021 手摇钻  
 1x31100022 Ø5mm快装接头  
 1x31100023 Ø4mm快装接头  
 1x31100024 大力扳手  
 1x31100001 复位扳手-小  
 1x31100010 复位扳手-大  
 1x31100025 Ø3.0mm钻头  
 1x31100026 Ø3.8mm钻头  
 1x31100002 拇指轮  
 1x31100027 Ø5mmT型扳手  
 1x31100028 Ø7mmT型扳手  
 1x31100029 Ø4mmT型快换接头  
 1x31100030 Ø5mmT型快换接头

#### 4. STERILE KIT

1

**31500000 ST Compact Sterile Peri-Articular/Support Wrist Kit**  
 2x5/5mm Rod-to-Rod Coupling  
 2xPeri-Articular Clamp  
 1x $\Phi$ 5mm x 200mm Carbon Connecting Rod  
 1x $\Phi$ 5mm x 100mm Carbon Connecting Rod  
 4x $\Phi$ 3mm x 80mm x 15mm Self-Drilling Apex Pin  
 4xPin Cap  
 1x5mm T-Wrench/3mm Pin Driver  
 1x $\Phi$ 2.2mm Drill  
 1xDrill Sleeve  
 2xPin Sleeve

2

**31200000 ST Sterile Military Kit**  
 2xMulti-Pin Clamp  
 4x $\Phi$ 5mm x 180mm x 50mm Self-Drilling Apex Pin  
 2x30° Angled Post  
 2x8/8mm Rod-to-Rod Coupling  
 1x $\Phi$ 8mm x 400mm Carbon Connecting Rod  
 1xPin Driver/Drill Brace Assembly

#### 4. 灭菌套装

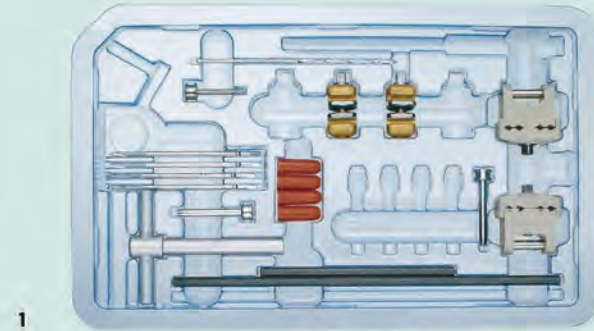
1

**31500000 ST 桡骨近关节/支撑支架灭菌套装**

2x杆杆链接夹, 用于5mm杆或支柱  
 2x近关节端针夹块  
 1x $\Phi$ 5x200mm碳棒  
 1x $\Phi$ 5x100mm碳棒  
 4x自攻自钻骨牵引针,  $\Phi$ 3x80x15mm  
 4x $\Phi$ 3螺纹针 尾帽  
 1x5mm T型扳手/3mm 上钉器  
 1x $\Phi$ 2.2钻头  
 1x钻头套管  
 2x科氏针套管

2

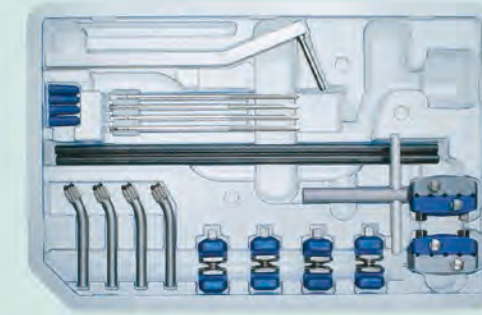
**31200000 ST 快速套装, 灭菌**  
 2x5孔针夹块  
 4x自攻自钻骨牵引针,  $\Phi$ 5x180x50mm  
 2x30° 角度支柱  
 2x杆杆链接夹, 用于8mm杆或支柱  
 1x $\Phi$ 8x400mm碳棒



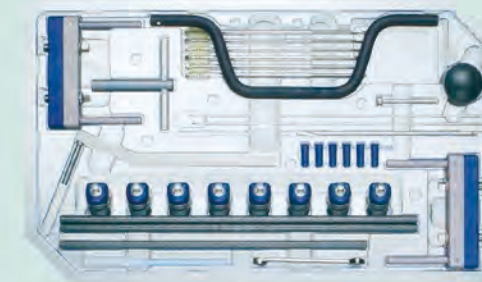
1



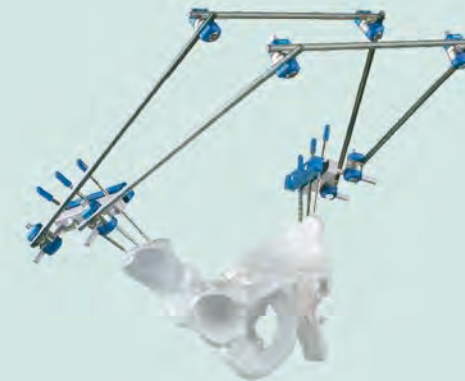
2



1



2



#### STERILE KIT

1

**31300000 ST Sterile Tibia Kit**  
 4x8/8mm Rod-to-Rod Coupling  
 2xMulti-Pin Clamp  
 4x30° Angled Post  
 2x $\Phi$ 8mm x 300mm Carbon Connecting Rod  
 4x $\Phi$ 5mm x 150mm x 40mm Self-Drilling Apex Pin  
 4xPin Cap  
 1x7mm T-Wrench/5mm Pin Driver  
 1xSoft-Tissue Protector

2

**31400000 ST Sterile Pelvic Kit**  
 2xPelvic Clamp  
 8x8/8mm Rod-to-Rod Coupling  
 2x $\Phi$ 8mm x 300mm Carbon Connecting Rod  
 4x $\Phi$ 8mm x 350mm Carbon Connecting Rod  
 6xBlunt Apex Pin  
 6xPin Cap  
 1x7mm T-Wrench/Pin Driver  
 1xSoft Tissue Protector  
 1xSpanner, 7mm  
 2x $\Phi$ 2mm x 285mm K-Wire  
 1x $\Phi$ 3.8mm Drill bit  
 1xDrill Sleeve  
 1xDrill Brace

#### 灭菌套装

1

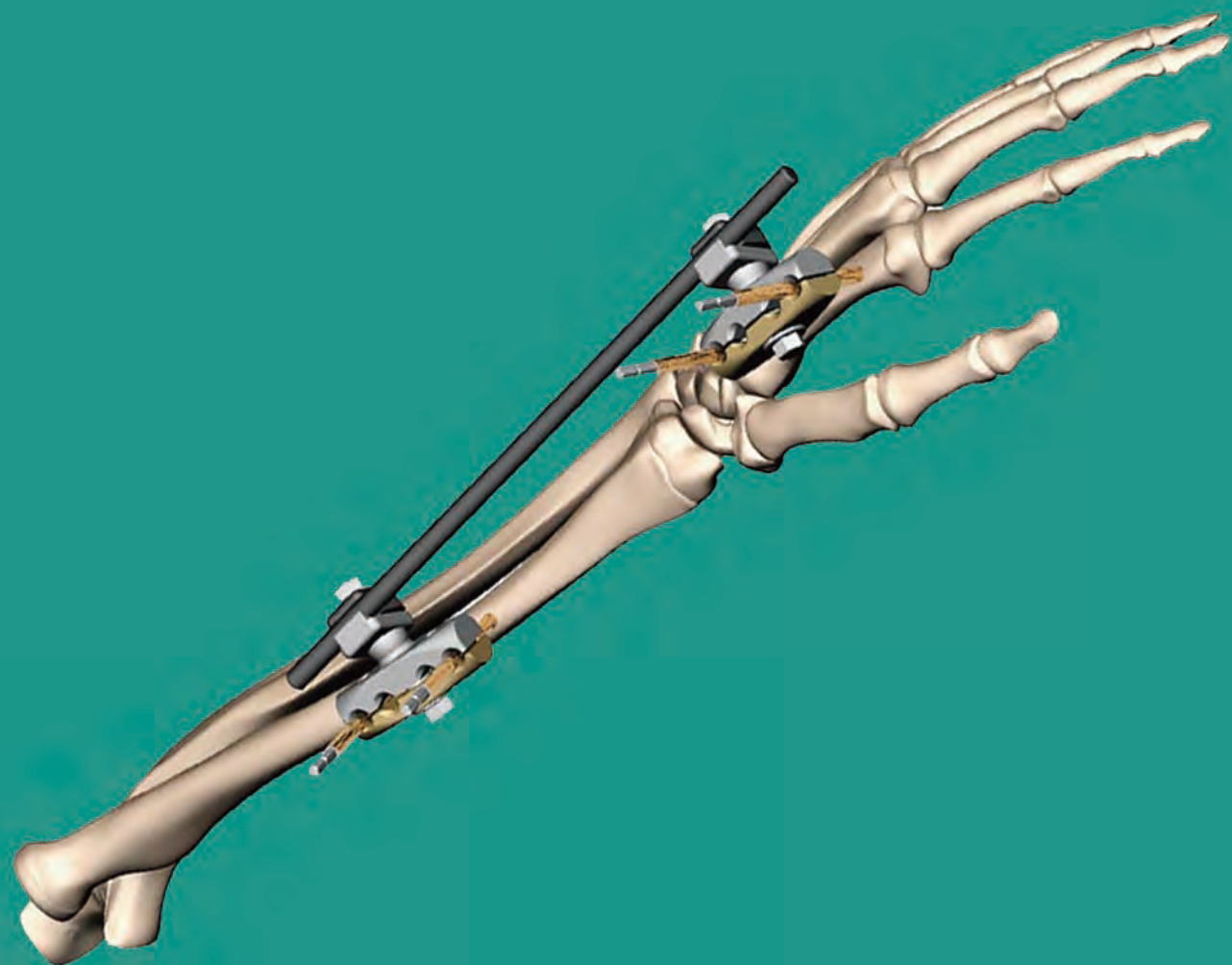
**31300000 ST 胫骨支架套装, 灭菌**  
 4x杆杆链接夹, 用于8mm杆或支柱  
 2x5孔针夹块  
 4x30° 角度支柱  
 2x $\Phi$ 8x300mm碳棒  
 4x自攻自钻骨牵引针,  $\Phi$ 5x150x40mm  
 4x $\Phi$ 5螺纹针 尾帽  
 1x7mm T型扳手/5mm 上钉器  
 1x软组织保护器

2

**31400000 ST 盆骨灭菌套装**  
 2x盆骨夹块  
 8x杆杆链接夹, 用于8mm杆或支柱  
 2x $\Phi$ 8x300mm碳棒  
 4x $\Phi$ 8x350mm碳棒  
 6x钝头针  
 6x $\Phi$ 5螺纹针 尾帽  
 1x7mm T型扳手/5mm 上钉器  
 1x软组织保护器  
 1x7mm 开口扳手  
 2x科氏针,  $\Phi$ 2x285mm  
 1x $\Phi$ 3.8mm钻头  
 1x钻头套管  
 1x弓形钻

## Q. SN UNILATERAL FIXATION SYSTEM

## Q. SN 单边外固定支架系统



## 1. COMPONENTS

- 1  
990250222 Rod to rod clamp  
Φ6-Φ6mm
- 2  
990250121 Pin to rod clamp  
Φ5-Φ6mm
- 3  
990250120 Pin to rod clamp  
Φ4-Φ6mm
- 4  
990250330 Rod to rod clamp  
Φ10.5-Φ10.5mm
- 5  
990250427 Pin to rod clamp  
Φ10.5-Φ6mm
- 6  
990250426 Pin to rod clamp  
Φ10.5-Φ5mm
- 7  
990250425 Pin to rod clamp  
Φ10.5-Φ4mm



1



4



2



5



3



6



7

## 1. 组件

- 1  
990250222 杆杆夹, Φ6-Φ6mm
- 2  
990250121 针杆夹, Φ5-Φ6mm
- 3  
990250120 针杆夹, Φ4-Φ6mm
- 4  
990250330 杆杆夹, Φ10.5-Φ10.5mm
- 5  
990250427 针杆夹, Φ10.5-Φ6mm
- 6  
990250426 针杆夹, Φ10.5-Φ5mm
- 7  
990250425 针杆夹, Φ10.5-Φ4mm

## SN UNILATERAL FIXATION SYSTEM

### 990200001 Whole set

#### Lower Tray

6x990250222 Rod to rod clamp  
Φ6-Φ6mm  
6x990250121 Pin to rod clamp  
Φ5-Φ6mm  
6x990250120 Pin to rod clamp  
Φ4-Φ6mm  
10x990250330 Rod to rod clamp  
Φ10.5-Φ10.5mm  
5x990250427 Pin to rod clamp  
Φ10.5-Φ6mm  
5x990250426 Pin to rod clamp  
Φ10.5-Φ5mm  
5x990250425 Pin to rod clamp  
Φ10.5-Φ4mm

#### Upper Tray

2x990260050 Rod, Φ6mm, 50mm  
2x990260075 Rod, Φ6mm, 75mm  
2x990260150 Rod, Φ6mm, 150mm  
2x990260180 Rod, Φ6mm, 180mm  
2x990260225 Rod, Φ6mm, 225mm  
2x990027050 Rod, Φ10.5mm, 50mm  
2x990027075 Rod, Φ10.5mm, 75mm  
2x990027150 Rod, Φ10.5mm, 150mm  
2x990027180 Rod, Φ10.5mm, 180mm  
2x990027225 Rod, Φ10.5mm, 225mm  
Threaded Pin, Φ6mm  
Optional for quantity or length  
Threaded Pin, Φ5mm  
Optional for quantity or length  
Threaded Pin, Φ4mm  
Optional for quantity or length  
1x10025001 T-Wrench, Φ6mm  
1x10055001 T-Wrench, Φ5mm  
1x10025006 T-Wrench, Φ4mm  
1x990290001 Drill Bit, Φ3.2mmx115mm  
1x990290002 Drill Bit, Φ4.8mmx180mm  
1x990290003 Drill Sleeve, Φ4-Φ5-Φ6mm  
1x990280001 Open End Wrench, Φ8mm  
1x990280002 Open End Wrench, Φ10mm

## SN 单边外固定 支架系统

### 990200001 器械整包+植入物

#### 下层

6x990250222 杆杆夹, Φ6-Φ6mm  
6x990250121 针杆夹, Φ5-Φ6mm  
6x990250120 针杆夹, Φ4-Φ6mm  
10x990250330 杆杆夹, Φ10.5-Φ10.5mm  
5x990250427 针杆夹, Φ10.5-Φ6mm  
5x990250426 针杆夹, Φ10.5-Φ5mm  
5x990250425 针杆夹, Φ10.5-Φ4mm

#### 上层

2x990260050 Φ6mm连接杆, 50mm  
2x990260075 Φ6mm连接杆, 75mm  
2x990260150 Φ6mm连接杆, 150mm  
2x990260180 Φ6mm连接杆, 180mm  
2x990260225 Φ6mm连接杆, 225mm  
2x990027050 Φ10.5mm连接杆, 50mm  
2x990027075 Φ10.5mm连接杆, 75mm  
2x990027150 Φ10.5mm连接杆, 150mm  
2x990027180 Φ10.5mm连接杆, 180mm  
2x990027225 Φ10.5mm连接杆, 225mm  
螺纹针(扁头) Φ6mm选配(数量、长度)  
螺纹针(扁头) Φ5mm选配(数量、长度)  
螺纹针(扁头) Φ4mm选配(数量、长度)  
1x10025001 上钉器, Φ6mm  
1x10055001 上钉器, Φ5mm  
1x10025006 上钉器, Φ4mm  
1x990290001 钻头, Φ3.2mmx115mm  
1x990290002 钻头, Φ4.8mmx180mm  
1x990290003 钻套, Φ4-Φ5-Φ6mm  
1x990280001 开口扳手, Φ8mm  
1x990280002 开口扳手, Φ10mm

# R. AO EXTERNAL FIXATION SYSTEM

## R. AO 外固定支架系统



1  
50100100 Distal Radius Fixator I

1  
50100100 桡骨远端支架 I

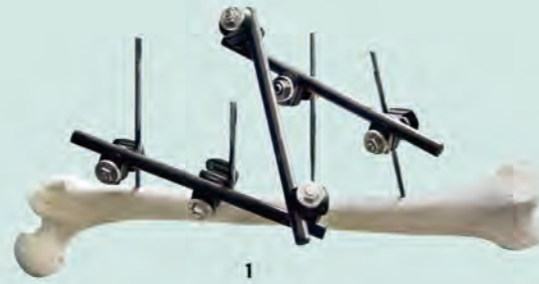


### 1. FRAME EXAMPLES

- 1  
50100100 Femoral Fixator
- 2  
50100200 Distal Radius Fixator I
- 3  
50100300 Distal Radius Fixator II
- 4  
50100400 Mini Fixator

### 1. 组合式支架范例

- 1  
50100100 股骨支架
- 2  
50100200 桡骨远端支架 I
- 3  
50100300 桡骨远端支架 II
- 4  
50100400 迷你支架



Large:Blue  
大号: 蓝色

Medium:Gold  
中号: 金色

Small:Green  
小号: 绿色

### 2. COMPONENTS

- 1  
**Pin to Rod Coupling,Combination (Large)**  
30020015 Aluminium  
30020018 Titanium  
for  $\Phi$ 5-6mm pins/ $\Phi$ 11mm rods  
**Pin to Rod Coupling (Medium)**  
30020016 Aluminium  
30020019 Titanium  
for  $\Phi$ 4mm pins/ $\Phi$ 8mm rods  
**Pin to Rod Coupling (Small)**  
30020017 Aluminium  
30020020 Titanium  
for  $\Phi$ 3mm pins/ $\Phi$ 4mm rods
- 2  
**Pin to Rod Coupling (Large)**  
40010002 Stainless Steel  
40010007 Titanium  
for  $\Phi$ 5-6mm pins/ $\Phi$ 11mm rods  
**Pin to Rod Coupling (Medium)**  
40010009 Stainless Steel  
40010010 Titanium  
for  $\Phi$ 4mm pins/ $\Phi$ 8mm rods  
**Pin to Rod Coupling (Small)**  
40010006 Stainless Steel  
40010008 Titanium  
for  $\Phi$ 3mm pins/ $\Phi$ 4mm rods
- 3  
**Rod To Rod Coupling (Large)**  
40010001 Stainless Steel  
40010011 Titanium  
for  $\Phi$ 11mm rods  
**Rod To Rod Coupling (Medium)**  
40010012 Stainless Steel  
40010014 Titanium  
for  $\Phi$ 8mm rods  
**Rod To Rod Coupling (Small)**  
40010013 Stainless Steel  
40010015 Titanium  
for  $\Phi$ 4mm rods

### 2. 组件

- 1  
30020015 大号针杆连接夹,多功能 铝合金  
30020018 大号针杆连接夹,多功能 钛合金  
用于  $\Phi$ 5-6mm 针/ $\Phi$ 11mm 杆  
30020016 中号针杆连接夹,多功能 铝合金  
30020019 中号针杆连接夹,多功能 钛合金  
用于  $\Phi$ 4mm 针/ $\Phi$ 8mm 杆  
30020017 小号针杆连接夹,多功能 铝合金  
30020020 小号针杆连接夹,多功能 钛合金  
用于  $\Phi$ 3mm 针/ $\Phi$ 4mm 杆
- 2  
40010002 大号针杆连接夹 不锈钢  
40010007 大号针杆连接夹 钛合金  
用于  $\Phi$ 5-6mm 针/ $\Phi$ 11mm 杆  
40010009 中号针杆连接夹 不锈钢  
40010010 中号针杆连接夹 钛合金  
用于  $\Phi$ 4mm 针/ $\Phi$ 8mm 杆  
40010006 小号针杆连接夹 不锈钢  
40010008 小号针杆连接夹 钛合金  
用于  $\Phi$ 3mm 针/ $\Phi$ 4mm 杆
- 3  
40010001 大号管管连接夹 不锈钢  
40010011 大号管管连接夹 钛合金  
用于  $\Phi$ 11mm 杆  
40010012 中号管管连接夹 不锈钢  
40010014 中号管管连接夹 钛合金  
用于  $\Phi$ 8mm 杆  
40010013 小号管管连接夹 不锈钢  
40010015 小号管管连接夹 钛合金  
用于  $\Phi$ 4mm 杆

## COMPONENTS

- 4  
40010004 Pin To Tube Clamp
- 5  
40010003 Cross Tube Clamp
- 6  
30020021 Rod To Rod Coupling  
for  $\Phi 3$ mm rods
- 7  
30020022 Pin To Rod Coupling  
for  $\Phi 1.5$ mm pins/ $\Phi 3$ mm rods

## 组件

- 4  
40010004 针管夹钳
- 5  
40010003 横管夹钳
- 6  
30020021 杆杆连接夹  
用于  $\Phi 3$ mm杆
- 7  
30020022 针杆连接夹  
用于  $\Phi 1.5$ mm克氏针/ $\Phi 3$ mm杆



4



5



6



7



10



11



12

## COMPONENTS

- 10  
61008075  $\Phi 3$ mm Connecting Rod  
Connecting Rod 75mm
- 11  
61008120  $\Phi 4$ mm Connecting Rod  
Connecting Rod 120mm
- 12  
 $\Phi 8$ mm Connecting Rod  
61008065  
Carbon Connecting Rod 65mm  
61008100  
Carbon Connecting Rod 100mm  
61008150  
Carbon Connecting Rod 150mm  
61008200  
Carbon Connecting Rod 200mm  
61008250  
Carbon Connecting Rod 250mm  
61008300  
Carbon Connecting Rod 300mm  
61008350  
Carbon Connecting Rod 350mm  
61008400  
Carbon Connecting Rod 400mm  
61008450  
Carbon Connecting Rod 450mm  
61008500  
Carbon Connecting Rod 500mm

## 组件

- 10  
60020022  $\Phi 3$ mm连接杆 长度 75mm
- 11  
60020022  $\Phi 4$ mm连接杆 长度 120mm
- 12  
直径8mm的连接杆  
61008065 碳纤维连接杆 65mm  
61008100 碳纤维连接杆 100mm  
61008150 碳纤维连接杆 150mm  
61008200 碳纤维连接杆 200mm  
61008250 碳纤维连接杆 250mm  
61008300 碳纤维连接杆 300mm  
61008350 碳纤维连接杆 350mm  
61008400 碳纤维连接杆 400mm  
61008450 碳纤维连接杆 450mm  
61008500 碳纤维连接杆 500mm

## COMPONENTS

**Ø8mm Connecting Rod**  
**13**

**62008065**  
 Aluminium Connecting Rod 65mm  
**62008100**  
 Aluminium Connecting Rod 100mm  
**62008150**  
 Aluminium Connecting Rod 150mm  
**62008200**  
 Aluminium Connecting Rod 200mm  
**62008250**  
 Aluminium Connecting Rod 250mm  
**62008300**  
 Aluminium Connecting Rod 300mm  
**62008350**  
 Aluminium Connecting Rod 350mm  
**62008400**  
 Aluminium Connecting Rod 400mm  
**62008450**  
 Aluminium Connecting Rod 450mm  
**62008500**  
 Aluminium Connecting Rod 500mm

**14**

**60008065**  
 Stainless Steel Connecting Rod 65mm  
**60008100**  
 Stainless Steel Connecting Rod 100mm  
**60008150**  
 Stainless Steel Connecting Rod 150mm  
**60008200**  
 Stainless Steel Connecting Rod 200mm  
**60008250**  
 Stainless Steel Connecting Rod 250mm  
**60008300**  
 Stainless Steel Connecting Rod 300mm  
**60008350**  
 Stainless Steel Connecting Rod 350mm  
**60008400**  
 Stainless Steel Connecting Rod 400mm  
**60008450**  
 Stainless Steel Connecting Rod 450mm  
**60008500**  
 Stainless Steel Connecting Rod 500mm

## 组件

**Ø8mm连接杆**
**13**

**62008065** 铝合金连接杆 65mm  
**62008100** 铝合金连接杆 100mm  
**62008150** 铝合金连接杆 150mm  
**62008200** 铝合金连接杆 200mm  
**62008250** 铝合金连接杆 250mm  
**62008300** 铝合金连接杆 300mm  
**62008350** 铝合金连接杆 350mm  
**62008400** 铝合金连接杆 400mm  
**62008450** 铝合金连接杆 450mm  
**62008500** 铝合金连接杆 500mm

**14**

**60008065** 不锈钢连接杆 65mm  
**60008100** 不锈钢连接杆 100mm  
**60008150** 不锈钢连接杆 150mm  
**60008200** 不锈钢连接杆 200mm  
**60008250** 不锈钢连接杆 250mm  
**60008300** 不锈钢连接杆 300mm  
**60008350** 不锈钢连接杆 350mm  
**60008400** 不锈钢连接杆 400mm  
**60008450** 不锈钢连接杆 450mm  
**60008500** 不锈钢连接杆 500mm

R7



13



14



15



16

## COMPONENTS

**Ø11mm Connecting Rod**  
**15**

**63008065**  
 Carbon Connecting Rod 65mm  
**63008100**  
 Carbon Connecting Rod 100mm  
**63008150**  
 Carbon Connecting Rod 150mm  
**63008200**  
 Carbon Connecting Rod 200mm  
**63008250**  
 Carbon Connecting Rod 250mm  
**63008300**  
 Carbon Connecting Rod 300mm  
**63008350**  
 Carbon Connecting Rod 350mm  
**63008400**  
 Carbon Connecting Rod 400mm  
**63008450**  
 Carbon Connecting Rod 450mm  
**63008500**  
 Carbon Connecting Rod 500mm

**16**

**64008065**  
 Aluminium Connecting Rod 65mm  
**64008100**  
 Aluminium Connecting Rod 100mm  
**64008150**  
 Aluminium Connecting Rod 150mm  
**64008200**  
 Aluminium Connecting Rod 200mm  
**64008250**  
 Aluminium Connecting Rod 250mm  
**64008300**  
 Aluminium Connecting Rod 300mm  
**64008350**  
 Aluminium Connecting Rod 350mm  
**64008400**  
 Aluminium Connecting Rod 400mm  
**64008450**  
 Aluminium Connecting Rod 450mm  
**64008500**  
 Aluminium Connecting Rod 500mm

## 组件

**Ø11mm连接杆**
**15**

**63008065** 碳纤维连接杆 65mm  
**63008100** 碳纤维连接杆 100mm  
**63008150** 碳纤维连接杆 150mm  
**63008200** 碳纤维连接杆 200mm  
**63008250** 碳纤维连接杆 250mm  
**63008300** 碳纤维连接杆 300mm  
**63008350** 碳纤维连接杆 350mm  
**63008400** 碳纤维连接杆 400mm  
**63008450** 碳纤维连接杆 450mm  
**63008500** 碳纤维连接杆 500mm

**16**

**64008065** 铝合金连接杆 65mm  
**64008100** 铝合金连接杆 100mm  
**64008150** 铝合金连接杆 150mm  
**64008200** 铝合金连接杆 200mm  
**64008250** 铝合金连接杆 250mm  
**64008300** 铝合金连接杆 300mm  
**64008350** 铝合金连接杆 350mm  
**64008400** 铝合金连接杆 400mm  
**64008450** 铝合金连接杆 450mm  
**64008500** 铝合金连接杆 500mm

R8

## COMPONENTS

17

65008065  
Stainless Steel Connecting Rod 65mm  
65008100  
Stainless Steel Connecting Rod 100mm  
65008150  
Stainless Steel Connecting Rod 150mm  
65008200  
Stainless Steel Connecting Rod 200mm  
65008250  
Stainless Steel Connecting Rod 250mm  
65008300  
Stainless Steel Connecting Rod 300mm  
65008350  
Stainless Steel Connecting Rod 350mm  
65008400  
Stainless Steel Connecting Rod 400mm  
65008450  
Stainless Steel Connecting Rod 450mm  
65008500  
Stainless Steel Connecting Rod 500mm

18

65008000  $\varnothing$ 4mm Curved Connecting Rod

19

Bone Pin  
Description: 3.0mm, 4.0mm, 5.0mm, 6.0mm,

20

K-Wire  $\varnothing$ 1.5mm

## 组件

17

65008065 不锈钢连接杆 65mm  
65008100 不锈钢连接杆 100mm  
65008150 不锈钢连接杆 150mm  
65008200 不锈钢连接杆 200mm  
65008250 不锈钢连接杆 250mm  
65008300 不锈钢连接杆 300mm  
65008350 不锈钢连接杆 350mm  
65008400 不锈钢连接杆 400mm  
65008450 不锈钢连接杆 450mm  
65008500 不锈钢连接杆 500mm

18

65008500  $\varnothing$ 4mm弧形连接杆

19

骨牵引针

规格: 3.0mm, 4.0mm, 5.0mm, 6.0mm

20

$\varnothing$ 1.5mm克氏针



## S. ILIZAROV RING FIXATOR SYSTEM S. 环形支架系统



## 1. COMPONENTS

1

790170001 Full Ring  $\Phi 60 \times 20$ holes  
 790170002 Full Ring  $\Phi 80 \times 24$ holes  
 790170003 Full Ring  $\Phi 100 \times 28$ holes  
 790170004 Full Ring  $\Phi 120 \times 32$ holes  
 790170005 Full Ring  $\Phi 140 \times 36$ holes  
 790170006 Full Ring  $\Phi 160 \times 40$ holes  
 790170007 Full Ring  $\Phi 180 \times 44$ holes  
 790170008 Full Ring  $\Phi 200 \times 48$ holes  
 790170009 Full Ring  $\Phi 220 \times 52$ holes

2

790170174 Half ring B60 $\times$ 11holes  
 790170175 Half ring B80 $\times$ 13holes  
 790170176 Half ring B100 $\times$ 15holes  
 790170177 Half ring B120 $\times$ 17holes  
 790170178 Half ring B140 $\times$ 19holes  
 790170179 Half ring B160 $\times$ 21holes  
 790170180 Half ring B180 $\times$ 23holes  
 790170181 Half ring B200 $\times$ 25holes  
 790170182 Half ring B220 $\times$ 27holes

3

790170104 5/8 C-ring C100 $\times$ 15holes  
 790170105 5/8 C-ring C120 $\times$ 21holes  
 790170106 5/8 C-ring C140 $\times$ 25holes  
 790170107 5/8 C-ring C160 $\times$ 31holes  
 790170108 5/8 C-ring C180 $\times$ 35holes  
 790170109 5/8 C-ring C200 $\times$ 41holes  
 790170110 5/8 C-ring C220 $\times$ 33holes

4

790170019 U Foot ring U80 $\times$ 19holes  
 790170020 U Foot ring U100 $\times$ 21holes  
 790170021 U Foot ring U120 $\times$ 23holes  
 790170022 U Foot ring U140 $\times$ 25holes  
 790170023 U Foot ring U160 $\times$ 27holes  
 790170183 U Foot ring U140 $\times$ 18holes  
 790170184 U Foot ring U140 $\times$ 20holes  
 790170185 U Foot ring U140 $\times$ 22holes

## 1. 组件

1

790170001 全环  $\Phi 60 \times 20$ 孔  
 790170002 全环  $\Phi 80 \times 24$ 孔  
 790170003 全环  $\Phi 100 \times 28$ 孔  
 790170004 全环  $\Phi 120 \times 32$ 孔  
 790170005 全环  $\Phi 140 \times 36$ 孔  
 790170006 全环  $\Phi 160 \times 40$ 孔  
 790170007 全环  $\Phi 180 \times 44$ 孔  
 790170008 全环  $\Phi 200 \times 48$ 孔  
 790170009 全环  $\Phi 220 \times 52$ 孔

2

790170174 半环 B60 $\times$ 11孔  
 790170175 半环 B80 $\times$ 13孔  
 790170176 半环 B100 $\times$ 15孔  
 790170177 半环 B120 $\times$ 17孔  
 790170178 半环 B140 $\times$ 19孔  
 790170179 半环 B160 $\times$ 21孔  
 790170180 半环 B180 $\times$ 23孔  
 790170181 半环 B200 $\times$ 25孔  
 790170182 半环 B220 $\times$ 27孔

3

790170104 C环, 5/8环 C100 $\times$ 15孔  
 790170105 C环, 5/8环 C120 $\times$ 21孔  
 790170106 C环, 5/8环 C140 $\times$ 25孔  
 790170107 C环, 5/8环 C160 $\times$ 31孔  
 790170108 C环, 5/8环 C180 $\times$ 35孔  
 790170109 C环, 5/8环 C200 $\times$ 41孔  
 790170110 C环, 5/8环 C220 $\times$ 33孔

4

790170019 U型环 U80 $\times$ 19孔  
 790170020 U型环 U100 $\times$ 21孔  
 790170021 U型环 U120 $\times$ 23孔  
 790170022 U型环 U140 $\times$ 25孔  
 790170023 U型环 U160 $\times$ 27孔  
 790170183 U型环 U140 $\times$ 18孔  
 790170184 U型环 U140 $\times$ 20孔  
 790170185 U型环 U140 $\times$ 22孔



1



2



5



6



3



4



7



8

## COMPONENTS

5

790070113 Hip Arch Ring with holes  
G200 $\times$ 51holes  
 790070114 Hip Arch Ring with holes  
G240 $\times$ 57holes  
 790070115 Hip Arch Ring with holes  
G280 $\times$ 63holes  
 790070116 Hip Arch Ring with holes  
G320 $\times$ 69holes

6

790070117 Hip Arch Special A  
 790070118 Hip Arch Special B  
 790070119 Hip Arch Special C  
 790070120 Hip Arch Special D

7

790070112 Femoral arches  
G240 $\times$ 16holes(90°)  
 790070111 Femoral arches  
G240 $\times$ 21holes(120°)

8

790170128 Ring, 28 Hole  
 790170129 Ring, 32 Hole  
 790170130 Ring, 36 Hole

## 组件

5

790070113 臀部拱环带孔 G200 $\times$ 51孔  
 790070114 臀部拱环带孔 G240 $\times$ 57孔  
 790070115 臀部拱环带孔 G280 $\times$ 63孔  
 790070116 臀部拱环带孔 G320 $\times$ 69孔

6

790070117 特殊臀部拱环 A  
 790070118 特殊臀部拱环 B  
 790070119 特殊臀部拱环 C  
 790070120 特殊臀部拱环 D

7

790070112 股骨拱环 G240 $\times$ 16孔(90°)  
 790070111 股骨拱环 G240 $\times$ 21孔(120°)

8

790170128 马蹄型环, 28孔  
 790170129 马蹄型环, 32孔  
 790170130 马蹄型环, 36孔

## COMPONENTS

- 9  
**790070087** Threaded rod M6×40mm  
**790070088** Threaded rod M6×60mm  
**790070089** Threaded rod M6×80mm  
**790070090** Threaded rod M6×100mm  
**790070091** Threaded rod M6×120mm  
**790070092** Threaded rod M6×140mm  
**790070093** Threaded rod M6×160mm  
**790070094** Threaded rod M6×180mm  
**790070095** Threaded rod M6×200mm  
**790070096** Threaded rod M6×250mm  
**790070097** Threaded rod M6×300mm  
**790070098** Threaded rod M6×350mm  
**790070099** Threaded rod M6×400mm
- 10  
**790070100** Threaded rod with hole M6×60mm  
**790070101** Threaded rod with hole M6×80mm  
**790070102** Threaded rod with hole M6×100mm  
**790070103** Threaded rod with hole M6×120mm
- 11  
**790070029** S-Threaded Rod M6×70mm  
**790070030** S-Threaded Rod M6×130mm
- 12  
**790170121** Oblique support connection  $\Phi 8 \times H50$   
**790170122** Oblique support connection  $\Phi 8 \times H80$   
**790170123** Oblique support connection  $\Phi 8 \times H100$   
**790170124** Oblique support connection  $\Phi 8 \times H150$

## 组件

- 9  
**790070087** 螺纹棒 M6 × 40mm  
**790070088** 螺纹棒 M6 × 60mm  
**790070089** 螺纹棒 M6 × 80mm  
**790070090** 螺纹棒 M6 × 100mm  
**790070091** 螺纹棒 M6 × 120mm  
**790070092** 螺纹棒 M6 × 140mm  
**790070093** 螺纹棒 M6 × 160mm  
**790070094** 螺纹棒 M6 × 180mm  
**790070095** 螺纹棒 M6 × 200mm  
**790070096** 螺纹棒 M6 × 250mm  
**790070097** 螺纹棒 M6 × 300mm  
**790070098** 螺纹棒 M6 × 350mm  
**790070099** 螺纹棒 M6 × 400mm
- 10  
**790070100** 带孔螺纹棒 M6 × 60mm  
**790070101** 带孔螺纹棒 M6 × 80mm  
**790070102** 带孔螺纹棒 M6 × 100mm  
**790070103** 带孔螺纹棒 M6 × 120mm
- 11  
**790070029** S型螺纹棒 M6 × 70mm  
**790070030** S型螺纹棒 M6 × 130mm
- 12  
**790170121** 弓形连接体  $\Phi 8 \times H50$   
**790170122** 弓形连接体  $\Phi 8 \times H80$   
**790170123** 弓形连接体  $\Phi 8 \times H100$   
**790170124** 弓形连接体  $\Phi 8 \times H150$



9



10



11



12



13



14



15

## COMPONENTS

- 13  
**790070026** Threaded socket/Space20mm  
**790070025** Threaded socket/Space40mm  
**790070024** Threaded socket/Space60mm
- 14  
**790070044** Shot connection plate 2holes×38mm  
**790070043** Shot connection plate 3holes×50mm  
**790070042** Shot connection plate 4holes×62mm  
**790070041** Shot connection plate 5holes×74mm  
**790070040** Shot connection plate 6holes×86mm  
**790070039** Shot connection plate 10holes×134mm
- 15  
**790170162** Long connection plate 15holes×208mm  
**790170163** Long connection plate 20holes×272mm  
**790170164** Long connection plate 25holes×336mm  
**790170171** Long connection plate 30holes×402mm

## 组件

- 13  
**790070026** 螺纹套筒 20mm  
**790070025** 螺纹套筒 40mm  
**790070024** 螺纹套筒 60mm
- 14  
**790070044** 短连接板 2孔 × 38mm  
**790070043** 短连接板 3孔 × 50mm  
**790070042** 短连接板 4孔 × 62mm  
**790070041** 短连接板 5孔 × 74mm  
**790070040** 短连接板 6孔 × 86mm  
**790070039** 短连接板 10孔 × 134mm
- 15  
**790170162** 长连接板 15孔 × 208mm  
**790170163** 长连接板 20孔 × 272mm  
**790170164** 长连接板 25孔 × 336mm  
**790170171** 长连接板 30孔 × 402mm

## COMPONENTS

- 16  
**790070045** L-Connection plate  
 1holes×26mm  
**790070046** L-Connection plate  
 2holes×38mm  
**790070047** L-Connection plate  
 3holes×50mm  
**790070048** L-Connection plate  
 4holes×62mm  
**790070049** L-Connection plate  
 5holes×74mm  
**790070050** L-Connection plate  
 6holes×86mm  
**790070051** L-Connection plate  
 7holes×98mm  
**790070052** L-Connection plate  
 8holes×110mm  
**790070053** L-Connection plate  
 9holes×122mm  
**790070054** L-Connection plate  
 10holes×134mm  
**790070055** L-Connection plate  
 11holes×146mm  
**790070056** L-Connection plate  
 12holes×158mm  
**790070057** L-Connection plate  
 13holes×170mm
- 17  
**790070125** Curved connection plate  
 2holes×138mm  
**790070126** Curved connection plate  
 3holes×138mm  
**790070127** Curved connection plate  
 4holes×156mm

## 组件

- 16  
**790070045** L型连接板 1孔×26mm  
**790070046** L型连接板 2孔×38mm  
**790070047** L型连接板 3孔×50mm  
**790070048** L型连接板 4孔×62mm  
**790070049** L型连接板 5孔×74mm  
**790070050** L型连接板 6孔×86mm  
**790070051** L型连接板 7孔×98mm  
**790070052** L型连接板 8孔×110mm  
**790070053** L型连接板 9孔×122mm  
**790070054** L型连接板 10孔×134mm  
**790070055** L型连接板 11孔×146mm  
**790070056** L型连接板 12孔×158mm  
**790070057** L型连接板 13孔×170mm
- 17  
**790070125** 弯型连接板 2孔×138mm  
**790070126** 弯型连接板 3孔×138mm  
**790070127** 弯型连接板 4孔×156mm



16



17



18



19



20

## COMPONENTS

- 18  
**790070058** Twisted connection plate  
 1+1 holes×46mm  
**790070059** Twisted connection plate  
 1+2 holes×58mm  
**790070060** Twisted connection plate  
 2+2 holes×67mm  
**790070061** Twisted connection plate  
 3+3 holes×88mm
- 19  
**790070062** Post with threaded hole  
 1holes  
**790070063** Post with threaded hole  
 2holes  
**790070064** Post with threaded hole  
 3holes  
**790070065** Post with threaded hole  
 4holes  
**790070066** Post with threaded hole  
 5holes
- 20  
**790070067** Post with threaded end  
 1holes  
**790070068** Post with threaded end  
 2holes  
**790070069** Post with threaded end  
 3holes  
**790070071** Post with threaded end  
 4holes  
**790070072** Post with threaded end  
 5holes

## 组件

- 18  
**790070058** 曲型连接板 1+1孔×46mm  
**790070059** 曲型连接板 1+2孔×58mm  
**790070060** 曲型连接板 2+2孔×67mm  
**790070061** 曲型连接板 3+3孔×88mm
- 19  
**790070062** 带螺纹孔支柱 1孔  
**790070063** 带螺纹孔支柱 2孔  
**790070064** 带螺纹孔支柱 3孔  
**790070065** 带螺纹孔支柱 4孔  
**790070066** 带螺纹孔支柱 5孔
- 20  
**790070067** 带孔支柱, 螺纹尾端 1孔  
**790070068** 带孔支柱, 螺纹尾端 2孔  
**790070069** 带孔支柱, 螺纹尾端 3孔  
**790070071** 带孔支柱, 螺纹尾端 4孔  
**790070072** 带孔支柱, 螺纹尾端 5孔

## COMPONENTS

- 21  
**790070034** Square Post with threaded hole 2holes  
**790070033** Square Post with threaded hole 3holes  
**790070031** Square Post with threaded hole 4holes  
**790070032** Square Post with threaded hole 5holes  
**790070038** Square Post with threaded end 2holes  
**790070037** Square Post with threaded hole 3holes  
**790070035** Square Post with threaded hole 4holes  
**790070036** Square Post with threaded hole 5holes

- 22  
**790070073** Standoff pin clamp with threaded hole 1holes  
**790070074** Standoff pin clamp with threaded hole 2holes  
**790070075** Standoff pin clamp with threaded hole 3holes  
**790070076** Standoff pin clamp with threaded hole 4holes  
**790070077** Standoff pin clamp with threaded hole 5holes

- 23  
**790070078** Standoff pin clamp with threaded end 1holes  
**790070079** Standoff pin clamp with threaded end 2holes  
**790070080** Standoff pin clamp with threaded end 3holes  
**790070081** Standoff pin clamp with threaded end 4holes  
**790070082** Standoff pin clamp with threaded end 5holes

## 组件

- 21  
**790070034** 方形支柱带螺纹孔 2孔  
**790070033** 方形支柱带螺纹孔 3孔  
**790070031** 方形支柱带螺纹孔 4孔  
**790070032** 方形支柱带螺纹孔 5孔  
**790070038** 方形支柱带螺纹末端 2孔  
**790070037** 方形支柱带螺纹末端 3孔  
**790070035** 方形支柱带螺纹末端 4孔  
**790070036** 方形支柱带螺纹末端 5孔
- 22  
**790070073** 直行支柱带螺纹孔 1孔  
**790070074** 直行支柱带螺纹孔 2孔  
**790070075** 直行支柱带螺纹孔 3孔  
**790070076** 直行支柱带螺纹孔 4孔  
**790070077** 直行支柱带螺纹孔 5孔
- 23  
**790070078** 直行支柱带螺纹末端 1孔  
**790070079** 直行支柱带螺纹末端 2孔  
**790070080** 直行支柱带螺纹末端 3孔  
**790070081** 直行支柱带螺纹末端 4孔  
**790070082** 直行支柱带螺纹末端 5孔



21



24



25



22



23



26



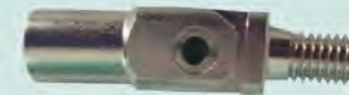
27



28



29



30

## COMPONENTS

- 24  
**790070083** Hinge 20x20mm  
 25  
**790070084** Hinge with threaded hole 40mm  
 26  
**790070085** Hinge with threaded end 10x30mm  
 27  
**790070086** Complex Hinge 20x14mm  
 28  
**790070131** Universal Hinge 16x16mm  
 29  
**790070139** In-line hinge 20x90mm  
 30  
**790070133** Connecting rod Hinge 20x20mm

## 组件

- 24  
**790070083** 铰链 20x20mm  
 25  
**790070084** 铰链, 带螺纹孔40mm  
 26  
**790070085** 铰链, 带螺纹末端 10x30mm  
 27  
**790070086** 复合铰链 20x14mm  
 28  
**790070131** 万向铰链 16x16mm  
 29  
**790070139** 内联铰链 20x90mm  
 30  
**790070133** 链接棒铰链 20x20mm

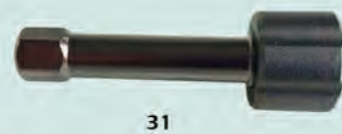


## COMPONENTS

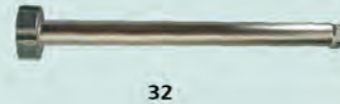
- 31  
790070134 Linear distractors M6×40mm  
790070135 Linear distractors M6×60mm  
790070136 Linear distractors M6×80mm  
790070137 Linear distractors M6×100mm  
790070138 Linear distractors M6×120mm
- 32  
790070172 Angular distractors M6×100mm  
790070173 Angular distractors M6×150mm
- 33  
790070140 Square Adjusting Nut 14×16mm
- 34  
790070143 Slotted hex head M6×12mm  
790070142 Slotted hex head M6×16mm  
790070141 Slotted hex head M6×20mm
- 35  
790070144 Universal half pin fixation Clamp M6×15mm, V3/4  
790070145 Universal half pin fixation Clamp M6×15mm, V5/6
- 36  
790070146 Bolt (M6) M6×12mm  
790070147 Bolt (M6) M6×16mm  
790070148 Bolt (M6) M6×20mm
- 37  
79007008604 Nut (M6) M6×Sw10mm×4.5mm
- 38  
790070149 Bushing Φ14×12mm

## 组件

- 31  
790070134 直行撑开器 M6×40mm  
790070135 直行撑开器 M6×60mm  
790070136 直行撑开器 M6×80mm  
790070137 直行撑开器 M6×100mm  
790070138 直行撑开器 M6×120mm
- 32  
790070172 角度撑开器 M6×100mm  
790070173 角度撑开器 M6×150mm
- 33  
790070140 方形调整螺母 14×16mm
- 34  
790070143 带槽六角螺帽 M6×12mm  
790070142 带槽六角螺帽 M6×16mm  
790070141 带槽六角螺帽 M6×20mm
- 35  
790070144 半头螺帽 M6×15mm, V3/4  
790070145 半头螺帽 M6×15mm, V5/6
- 36  
790070146 螺栓 (M6) M6×12mm  
790070147 螺栓 (M6) M6×16mm  
790070148 螺栓 (M6) M6×20mm
- 37  
79007008604 螺母 (M6) M6×Sw10mm×4.5mm
- 38  
790070149 钢套 Φ14×12mm



31



32



39



40



33



34



41



42



35



36



43



44



37



38



45



46



47



48

## COMPONENTS

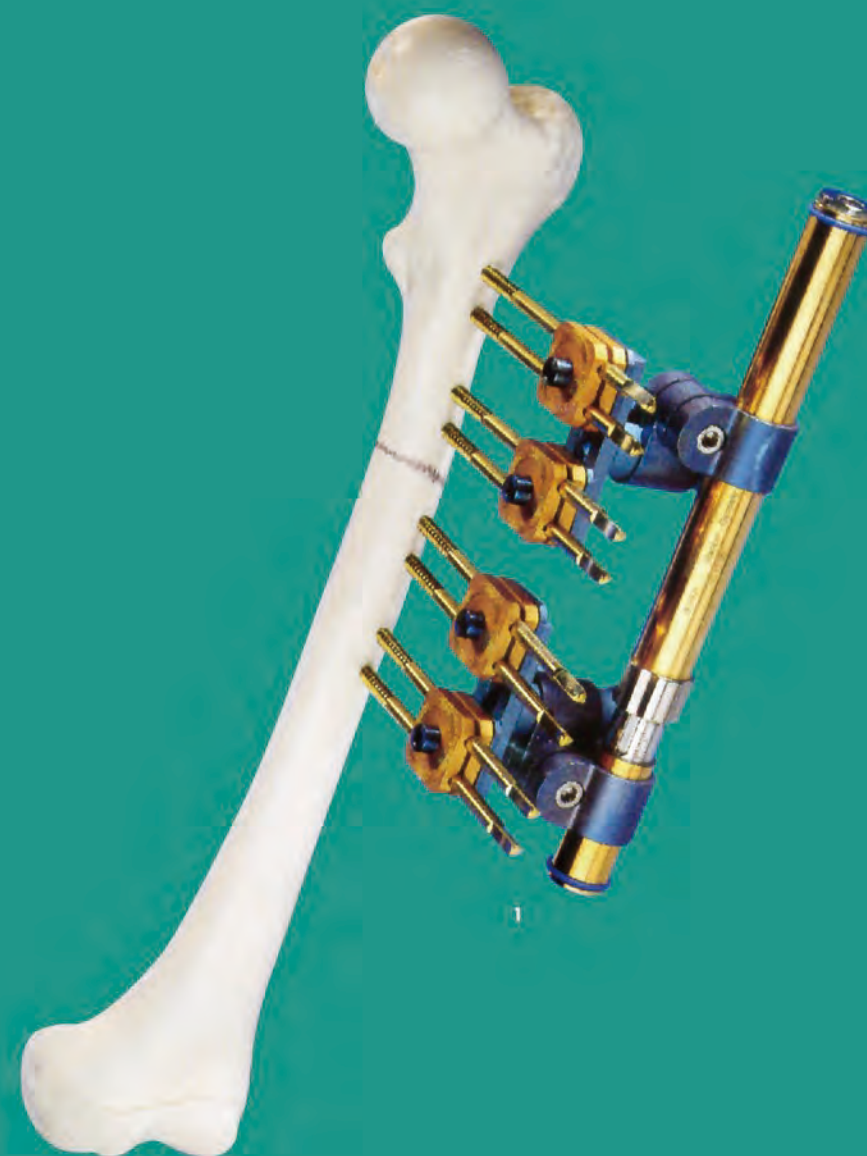
- 39  
790070150 Washer Φ14×3.0mm  
790070151 Washer Φ12×1.5mm  
790070152 Washer Φ12×3.0mm  
790070153 Washer Φ12×5.0mm
- 40  
790070154 Spring Φ8×50mm
- 41  
790070167 Protective Cannular Φ8×50mm
- 42  
790070132 Bi Axis Hinge
- 43  
790070168 Foot Hinge
- 44  
790070170 Special Hinge
- 45  
790070169 Locking Hinge
- 46  
790070165 Double Hinge
- 47  
790070155 Sphere Hinge
- 48  
790070166 Special Bolt

## 组件

- 39  
790070150 垫圈 Φ14×3.0mm  
790070151 垫圈 Φ12×1.5mm  
790070152 垫圈 Φ12×3.0mm  
790070153 垫圈 Φ12×5.0mm
- 40  
790070154 弹簧 Φ8×50mm
- 41  
790070167 保护套管 Φ8×50mm
- 42  
790070132 双轴铰链
- 43  
790070168 足铰链
- 44  
790070170 特殊铰链
- 45  
790070169 锁定铰链
- 46  
790070165 双铰链
- 47  
790070155 球体铰链
- 48  
790070166 特殊螺栓

# T. TITANIUM ORTHO-FIXATOR SYSTEM

## T. 钛合金支架系统



1  
20100100 TITANIUM ORTHO - FIXATOR (Small)  
20100200 TITANIUM ORTHO - FIXATOR (Large)

1  
20100100 钛合金支架 (小号)  
20100200 钛合金支架 (大号)

## 1. COMPONENTS

- 1  
20110100 Fixator body (Large)  
20110111 Fixator body (Small)  
(compression, distraction, dynamizing)  
Titanium
- 2  
20110114  
Fixator Jaw Complete Titanium
- 3  
20110112  
Fixator T-piece Titanium
- 4  
20110113  
Joint for two tubes (360°) Titanium

## 1. 组件

- 1  
20110100 大号支架体  
20110111 小号支架体  
(加压动力调节), 钛合金
- 2  
20110114  
夹块整体 钛合金
- 3  
20110112  
支架T型夹针头 钛合金
- 4  
20110113  
双管连接夹 (360°) 钛合金



1



2



3



4

## 2. INSTRUMENTS

- 1  
Drill for 5 mm screws  
31400000 3.5×180mm Titanium  
31400001 3.5×180mm Stainless  
Drill for 6 mm screws  
31400002 4.5×200mm Titanium  
31400003 4.5×200mm Stainless
- 2  
Balance rod  
Titanium  
31400004 5mm  
31400005 6mm
- 3  
Key for screws  
31400006
- 4  
Guide for screw and drill  
Titanium  
31400007 For 5mm screw  
31400008 For 3.5mm drill  
31400009 For 6mm screw  
31400010 For 4.5mm drill
- 5  
Master Guide  
Titanium  
31400011 For 5mm  
31400012 For 6mm
- 6  
Trocar  
Titanium  
31400013 For 5mm  
31400014 For 6mm

## 2. 器械

- 1  
5mm 螺纹针钻头  
31400000 3.5×180mm 钛合金  
31400001 3.5×180mm 不锈钢  
6mm 螺纹针钻头  
31400002 4.5×200mm 钛合金  
31400003 4.5×200mm 不锈钢
- 2  
平衡棒 钛合金  
31400004 5mm  
31400005 6mm
- 3  
31400006  
上钉器
- 4  
螺钉、钻头导向器 钛合金  
31400007 用于5mm 螺钉  
31400008 用于3.5mm 钻头  
31400009 用于6mm 螺钉  
31400010 用于4.5mm 钻头
- 5  
主导向器 钛合金  
31400011 5mm  
31400012 6mm
- 6  
套管针 钛合金  
31400013 5mm  
31400014 6mm

## U. SPATIAL FRAME EXTERNAL FIXATOR U. 框架支架系统



## 1. COMPONENTS

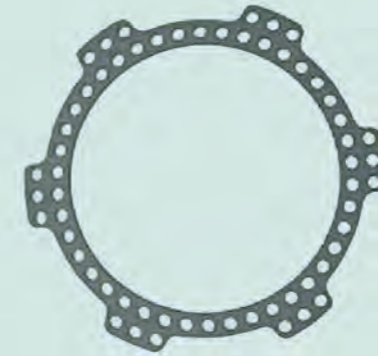
- 1**  
**Standard Frames**  
**790081001** Medium struts, 155mm rings  
**790081002** Short struts, 180mm rings  
**790081003** Medium struts, 180mm rings
- 2**  
**Open Frames**  
**790082001** Medium struts, 180mm rings  
**790082002** Medium struts, 205mm rings
- 3**  
**Foot Frame**  
**790083001** Medium struts, 155mm rings

## 1. 组件

- 1**  
**标准支架**  
**790081001** 中型, 155mm环  
**790081002** 短型, 180mm环  
**790081003** 中型, 180mm环
- 2**  
**开放型支架**  
**790082001** 中型, 180mm环  
**790082002** 中型, 205mm环
- 3**  
**足环支架**  
**790083001** 中型, 155mm环



1



4



2



5



3

## COMPONENTS

- 4**  
**Full Rings**  
**790080001** 80mm  
**790080002** 105 mm  
**790080003** 130 mm  
**790080004** 155 mm  
**790080005** 180 mm  
**790080006** 205 mm  
**790080007** 230 mm
- 5**  
**Half Rings**  
**790090001** 130mm  
**790090002** 155 mm  
**790090003** 180 mm  
**790090004** 205 mm  
**790090005** 230 mm

## 组件

- 4**  
**圆环**  
**790080001** 80mm  
**790080002** 105mm  
**790080003** 130mm  
**790080004** 155mm  
**790080005** 180mm  
**790080006** 205mm  
**790080007** 230mm
- 5**  
**半环**  
**790090001** 130mm  
**790090002** 155mm  
**790090003** 180mm  
**790090004** 205mm  
**790090005** 230mm

## COMPONENTS

- 6**  
2/3 Rings  
790100001 80mm  
790100002 105mm  
790100003 130mm  
790100004 155mm  
790100005 180mm  
790100006 205mm  
790100007 230mm
- 7**  
Foot Rings & U-Plates  
790110001 80mm  
790110002 105mm  
790110003 130mm  
790110004 155mm, Long  
790110005 180mm, Long  
790110006 155mm, Short  
790110007 180mm, Short
- 8**  
Standard Struts  
790120001 X-Short, 75-96mm  
790120002 Short, 90-125mm  
790120003 Medium, 116-178mm  
790120004 Long, 169-283mm

## 组件

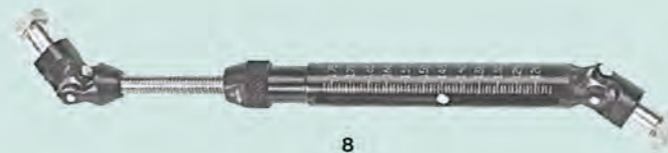
- 6**  
2/3环  
790100001 80mm  
790100002 105mm  
790100003 130mm  
790100004 155mm  
790100005 180mm  
790100006 205mm  
790100007 230mm
- 7**  
足环  
790110001 80mm  
790110002 105mm  
790110003 130mm  
790110004 155mm, 长  
790110005 180mm, 长  
790110006 155mm, 短  
790110007 180mm, 短
- 8**  
标准支柱  
790120001 75-96mm, 特短  
790120002 90-125mm, 短  
790120003 116-178mm, 中  
790120004 169-283mm, 长



6



7



8



9



10

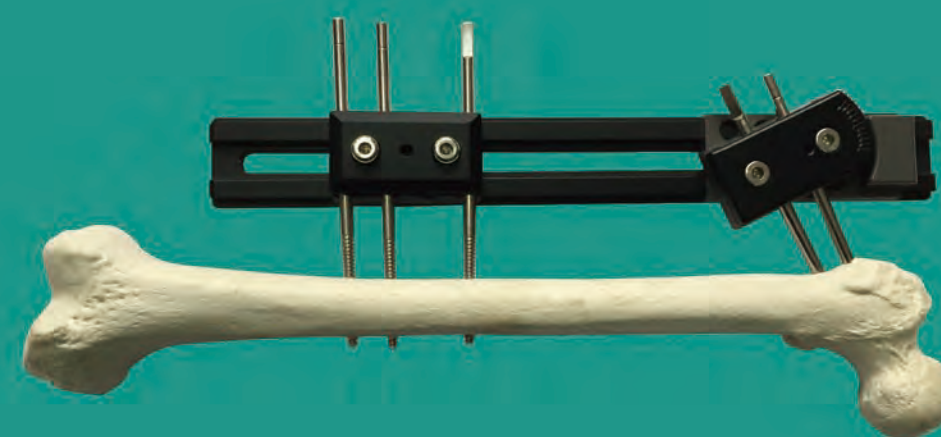
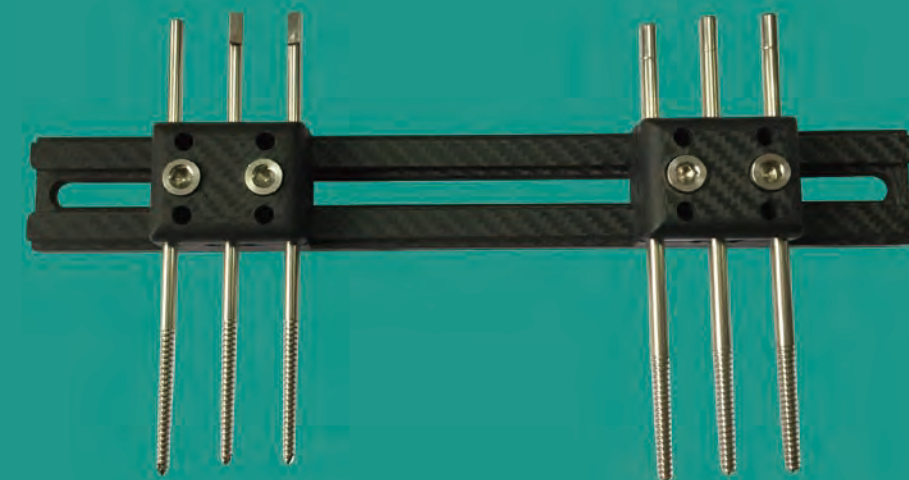
## COMPONENTS

- 9**  
FAST Fix Struts  
790130001 X-Short, 91-121mm  
790130002 Short, 116-152mm  
790130003 Medium, 143-205mm  
790130004 Long, 195-311mm
- 10**  
Bolts  
790140001 Shoulder Bolt  
790150001 Connection Bolt, 12mm

## 组件

- 9**  
快装支柱  
790120001 91-121mmmm, 特短  
790120002 116-152mm, 短  
790120003 143-205mmmm, 中  
790120004 195-311mmmm, 长
- 10**  
螺栓  
790140001 短螺栓  
790150001 链接螺栓, 12mm

V. NEW LENGTHENING FIXATOR SYSTEM-I&II  
V. 新型延长支架系统-I&II



## 1. COMPONENTS

- 1**  
**Lengthening Rail**  
10106124 120mm, Aluminum  
10106125 200mm, Aluminum  
10106126 250mm, Aluminum  
10106127 300mm, Aluminum  
10106128 350mm, Aluminum  
10106129 400mm, Aluminum  
(not illustrated)

- 2**  
10106330 Translation Clamp,  
Aluminum

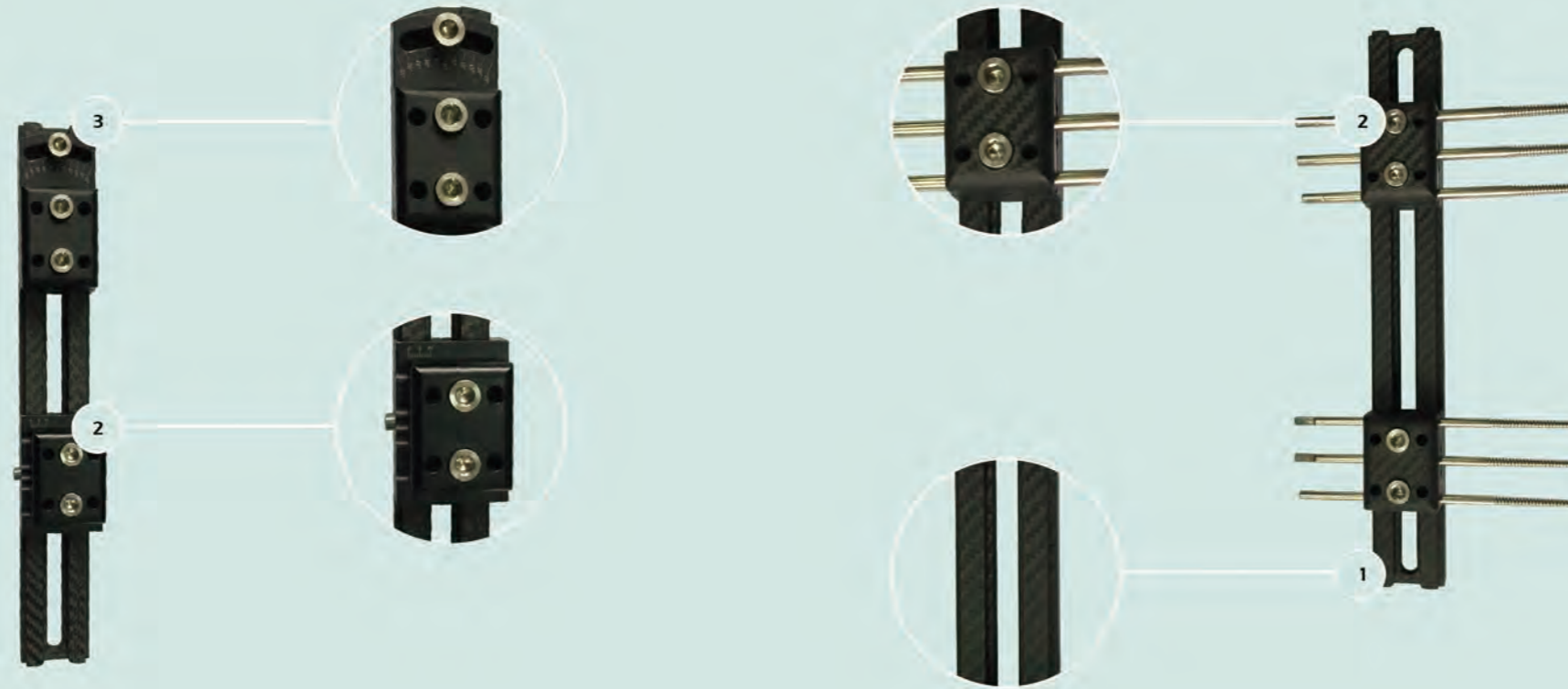
- 3**  
10106331 Micrometric Swivelling  
Clamp, Aluminum

## 1. 组件

- 1**  
**延长支架导轨**  
10106124 120mm, 铝合金  
10106125 200mm, 铝合金  
10106126 250mm, 铝合金  
10106127 300mm, 铝合金  
10106128 350mm, 铝合金  
10106129 400mm, 铝合金  
(无图)

- 2**  
10106330 平移夹块, 铝合金

- 3**  
10106331 微调转动夹块, 铝合金



## COMPONENTS

- 1**  
**Lengthening Rail**  
10106224 120mm, Carbon Fiber  
10106225 200mm, Carbon Fiber  
10106226 250mm, Carbon Fiber  
10106227 300mm, Carbon Fiber  
10106228 350mm, Carbon Fiber  
10106229 400mm, Carbon Fiber

- 2**  
10106230 Translation Clamp,  
Carbon Fiber

- 3**  
10106231 Micrometric Swivelling  
Clamp, Carbon Fiber  
(not illustrated)

## 组件

- 1**  
**延长支架导轨**  
10106224 120mm, 碳纤维  
10106225 200mm, 碳纤维  
10106226 250mm, 碳纤维  
10106227 300mm, 碳纤维  
10106228 350mm, 碳纤维  
10106229 400mm, 碳纤维

- 2**  
10106230 平移夹块, 碳纤维

- 3**  
10106231 微调转动夹块, 碳纤维  
(无图)



## COMPONENTS

- 1**  
**Lengthening Rail**  
10106332 150mm, Aluminum  
10106333 250mm, Aluminum  
10106134 350mm, Aluminum  
10106135 420mm, Aluminum

- 2**  
**Lengthening Rail**  
10106232 150mm, Carbon Fiber  
10106233 250mm, Carbon Fiber  
10106234 350mm, Carbon Fiber  
10106235 420mm, Carbon Fiber  
(not illustrated)

- 3**  
10106136 **Straight Clamp, Aluminum**

- 4**  
10106137 **Micrometric Swivelling  
Clamp, Titanium Alloy**

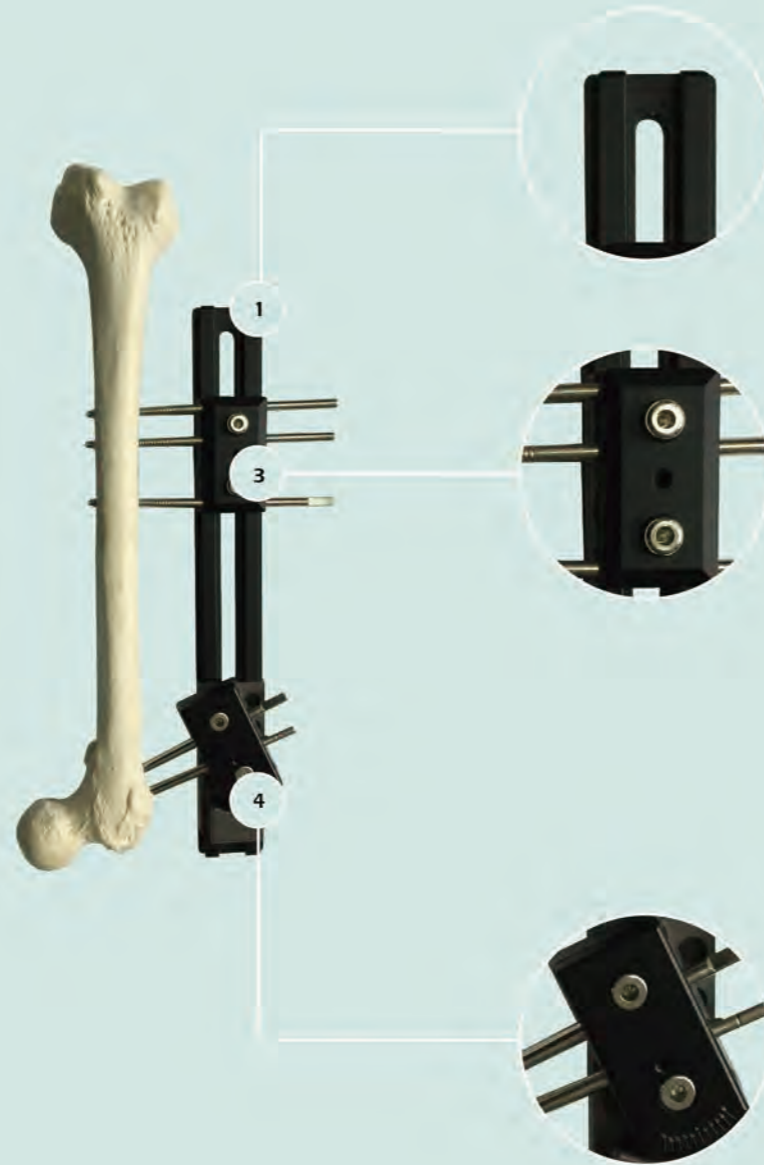
## 组件

- 1**  
**延长支架导轨**  
10106332 150mm, 铝合金  
10106333 250mm, 铝合金  
10106134 350mm, 铝合金  
10106135 420mm, 铝合金

- 2**  
**延长支架导轨**  
10106232 150mm, 碳纤维  
10106233 250mm, 碳纤维  
10106234 350mm, 碳纤维  
10106235 420mm, 碳纤维  
(无图)

- 3**  
10106136 **直型夹块, 铝合金**

- 4**  
10106137 **微调转动夹块, 钛合金**



## COMPONENTS

- 5**  
**CD Unit**  
10106240 100mm  
10106241 150mm  
10106242 200mm  
10106243 250mm

## 组件

- 5**  
**调节套**  
10106240 100mm  
10106241 150mm  
10106242 200mm  
10106243 250mm

## W. NEW PEEK DISTAL RADIUS FIXATOR SYSTEM

## W. 新型可透光桡骨远端支架系统



### NEW PEEK DISTAL RADIUS FIXATOR SYSTEM

1

**31600001 Distal Radius Fixator Kit-Long, sterile**  
Consisting of: 1 Distal Radius External Fixator-Long, 1 Pin Driver 4mm, 1 Allen Wrench SW5, 1 Drill Sleeve, 1 Drill Bit, 4 Pin  $\Phi$ 4, 4 Pin Cap.

**31600002 Distal Radius Fixator Kit-Short, sterile**  
Consisting of: 1 Distal Radius External Fixator-Short, 1 Pin Driver 4mm, 1 Allen Wrench SW5, 1 Drill Sleeve, 1 Drill Bit, 4 Pin  $\Phi$ 4, 4 Pin Cap.

2

**10105310 Distal Radius Fixator-Long**

3

**10105311 Distal Radius Fixator-Short**

### 新型可透光桡骨远端支架系统

1

**316000010 桡骨远端支架套装-长,灭菌**

组成: 1个桡骨远端支架-长, 1个 $\Phi$ 4mm上钉器, 1个L型扳手SW5, 1个钻头套管, 1个钻头, 4个 $\Phi$ 4螺纹针, 4个 $\Phi$ 4螺纹针尾帽。

**316000002 桡骨远端支架套装-短,灭菌**

组成: 1个桡骨远端支架-短, 1个 $\Phi$ 4mm上钉器, 1个L型扳手SW5, 1个钻头套管, 1个钻头, 4个 $\Phi$ 4螺纹针, 4个 $\Phi$ 4螺纹针尾帽。

2

**10105310 桡骨远端支架-长**

3

**10105311 桡骨远端支架-短**

X.BT DISTAL RADIUS FIXATOR  
X. BT 桡骨远端外固定支架

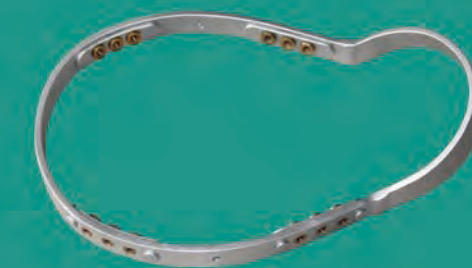


10105309



10105308

## Y. FIXING VERTEHRAL AND SPINAL SYSTEM Y. 骨 牵 引 架 系 统



铝合金 Aluminium



PEEK



不锈钢 Stainless Steel

1  
60606000 Aluminium (Large)  
60604000 Aluminium (Mdeium)  
60602000 Aluminium (Small)  
60606110 PEEK (Large)  
60606120 PEEK (Mdeium)  
60606130 PEEK (Small)

1  
60606000 铝合金 (大号)  
60604000 铝合金 (中号)  
60602000 铝合金 (小号)  
60606110 PEEK (大号)  
60606120 PEEK (中号)  
60606130 PEEK (小号)